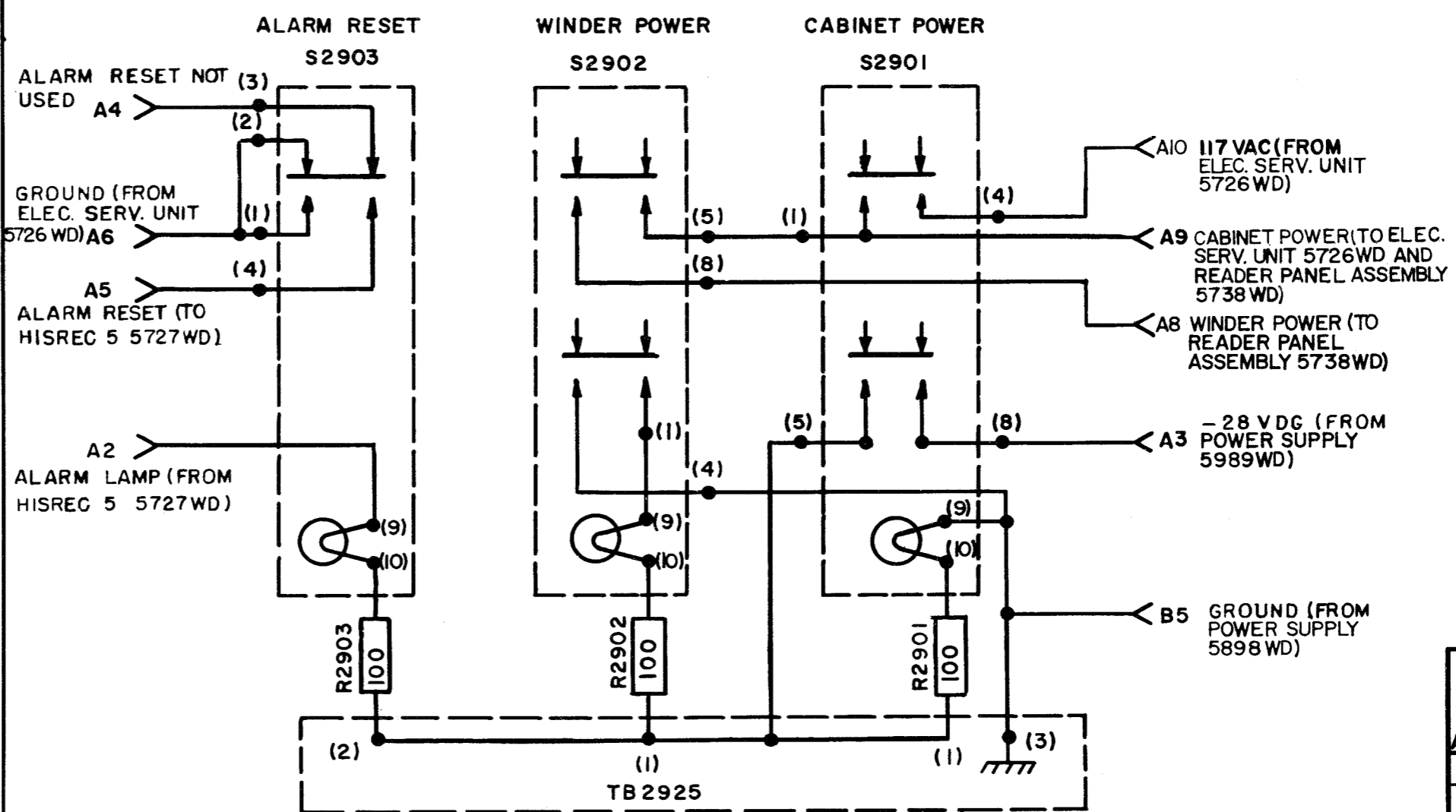


5719 WD

ISSUE	DATE	AUTH. NO.
1	8-4-64	15251-R
2	8-31-64	82490
3	1-21-68	89446

- NO. NOTES
- FOR ACTUAL WIRING DIAGRAM SEE 5718 WD.
  - > INDICATES TERMINAL ON CONNECTOR P2904.
  - ALL RESISTORS 1/2 WATT AND RESISTANCE VALUES IN OHMS.
  - TERMINAL DESIGNATIONS ENCLOSED IN PARENTHESIS ARE REFERENCE AND NOT MARKED ON COMPONENT.



RTTY ELECTRONICS  
 TELETYPE=Sales-Service-Parts  
 PO Box 20101 El Sobrante, Ca.  
 94820. (510)222-3102  
 mr\_rtty@pacbell.net

SCHEMATIC  
 WIRING DIAGRAM  
 READER CONTROL  
 PANEL  
 ASSEM. NO. 193169

APPROVALS

D AND R	E OF M
---------	--------

E-NUMBER  
 PROD. NO. 5719WD

DATE: 2-3-64  
 P.D. FILE NO. 33-A25AA  
 DRAWN N.A.R. CHKD [Signature]  
 ENGD R.E.P. APPD [Signature]

TELETYPE  
 CORPORATION

5719 WD