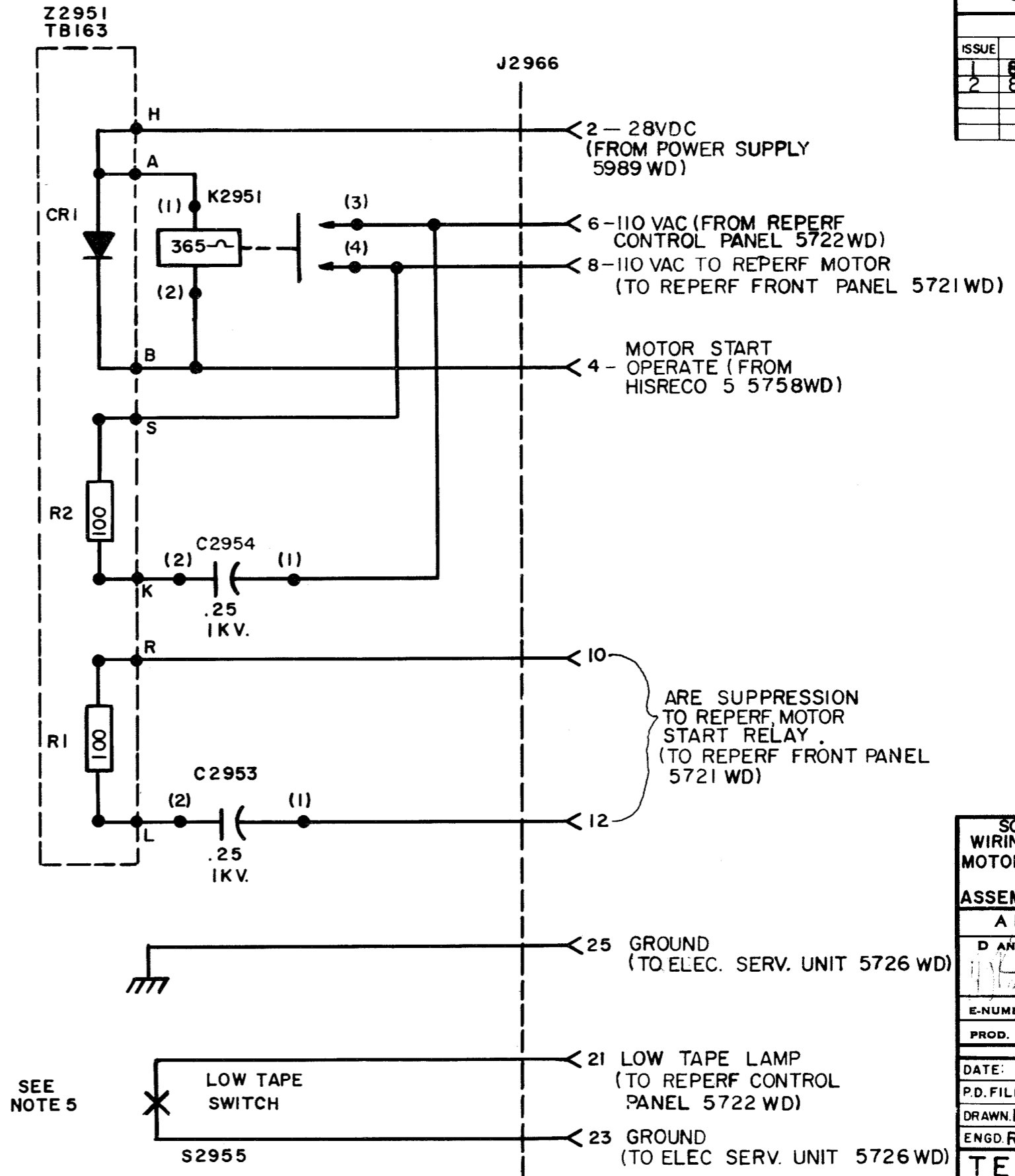


ISSUE	DATE	AUTH. NO.
1	8-4-64	15251-R
2	8-31-64	82490

- NO. NOTES
- FOR ACTUAL WIRING DIAGRAM SEE 5729WD.
 - TERMINAL DESIGNATIONS ENCLOSED IN PARENTHESIS ARE FOR REFERENCE AND AND NOT MARKED ON COMPONENT.
 - ALL RESISTORS 1/2 WATT AND RESISTANCE VALUES IN OHMS UNLESS OTHERWISE SPECIFIED.
 - ALL CAPACITANCE VALUES IN MICROFARADS.
 - CIRCUIT ARRANGEMENT ON LOW TAPE SWITCH WHEN USED.



RTTY ELECTRONICS
 TELETYPE=Sales-Service-Parts
 PO Box 20101 El Sobrante, Ca.
 94820. (510)222-3102
 mr_rtty@pacbell.net

SCHEMATIC WIRING DIAGRAM
MOTOR START PANEL

ASSEM. NO. 193234

APPROVALS

D AND R	E OF M
<i>[Signature]</i>	<i>[Signature]</i>

E-NUMBER

PROD. NO. 5720 WD

DATE: 1-30-64

P.D. FILE NO. 33-A25AA

DRAWN N.A.R. CHKD *[Signature]*

ENGD. R.E.P. APPD. *[Signature]*

TELETYPE CORPORATION

5720 WD