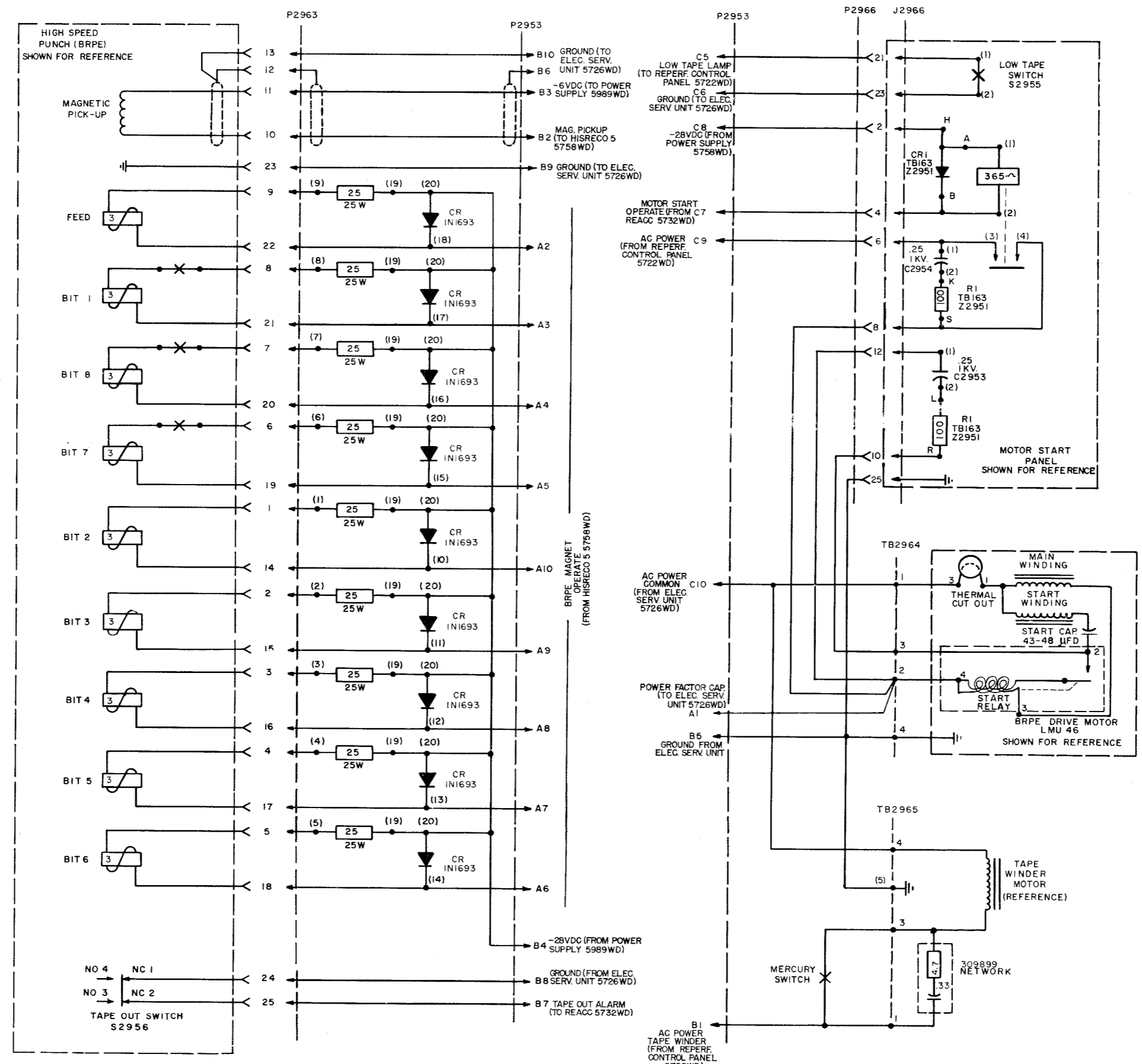


- NO. NOTES
- FOR ACTUAL WIRING DIAGRAM SEE 5703WD.
 - TERMINAL DESIGNATION ENCLOSED IN PARENTHESIS ARE FOR REFERENCE AND NOT MARKED ON COMPONENT.
 - ALL RESISTORS 1/2 WATT AND RESISTANCE VALUE IN OHMS UNLESS OTHERWISE SPECIFIED.
 - ALL CAPACITANCE VALUES IN MICROFARADS UNLESS OTHERWISE SPECIFIED.

RTTY ELECTRONICS
 TELETYPE-Sales-Service-Parts
 PO Box 20101 El Sobrante, Ca.
 94820. (510)222-3102
 mr_rty@pacbell.net



SCHEMATIC
 WIRING DIAGRAM
 FOR
 REPERFORATOR
 FRONT PANEL
 (BRPE)
 ASSEM NO. 193232
 APPROVALS
 D AND R E OF M
 E NUMBER
 PROD NO. 5721WD
 DATE 2-11-64
 PD FILE NO 33-A25 AA
 DRAWN NARCHKD
 ENGR. R. P. APPO
 TELETYPE
 CORPORATION
 5721WD