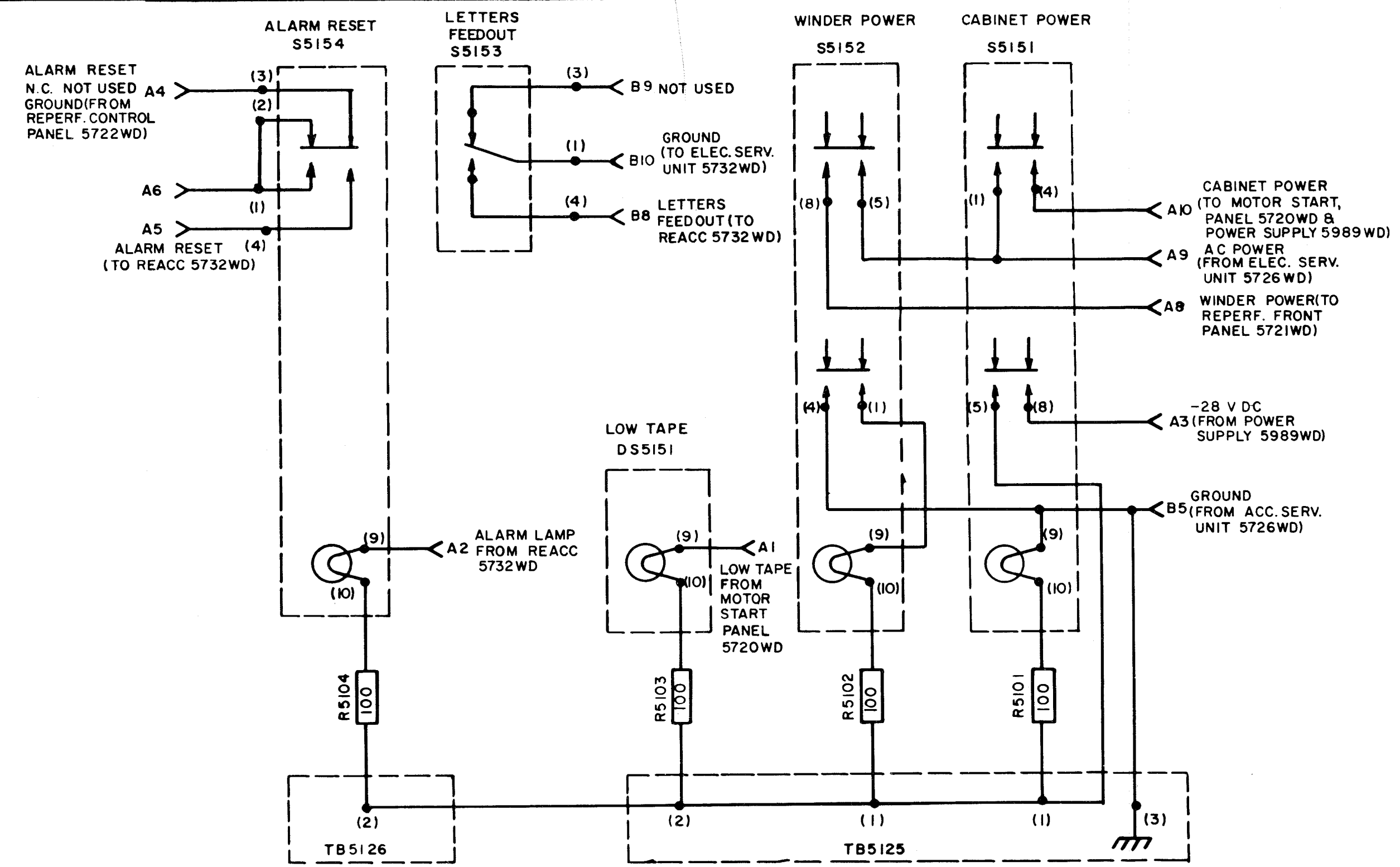


NO.	NOTES
1.	FOR ACTUAL WIRING DIAGRAM SEE 5704WD.
2.	—> INDICATES TERMINAL ON CONNECTOR P2954.
3.	ALL RESISTORS 1/2 WATT AND RESISTANCE VALUES IN OHMS.
4.	TERMINAL DESIGNATIONS ENCLOSED IN PARENTHESIS ARE FOR REFERENCE AND NOT MARKED ON COMPONENT.



RTTY ELECTRONICS  
 TELETYPE=Sales-Service-Parts  
 PO Box 20101 El Sobrante, Ca.  
 94820. (510)222-3102  
 mr\_rtty@pacbell.net

5722 WD		
ISSUE	DATE	AUTH NO
1	8-4-64	15251-R
2	8-31-64	82490

SCHEMATIC WIRING DIAGRAM REPERFORATOR CONTROL PANEL ASSEM. NO. 193170	
APPROVALS	
D AND R	E OF M
E NUMBER	
PROD NO 5722WD	
DATE 1-31-64	
PD FILE NO 33-A25AA	
DRAWN N.A.R. 10-40	
ENGR R.E.P. APPC	
TELETYPE CORPORATION	
5722 WD	