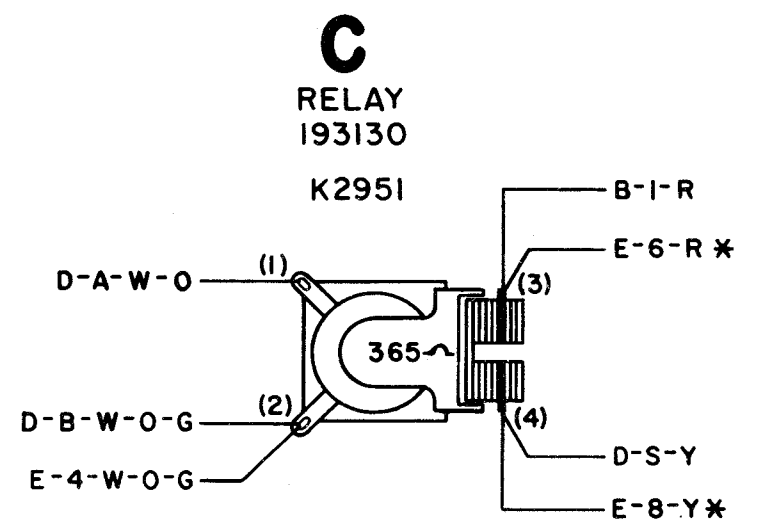
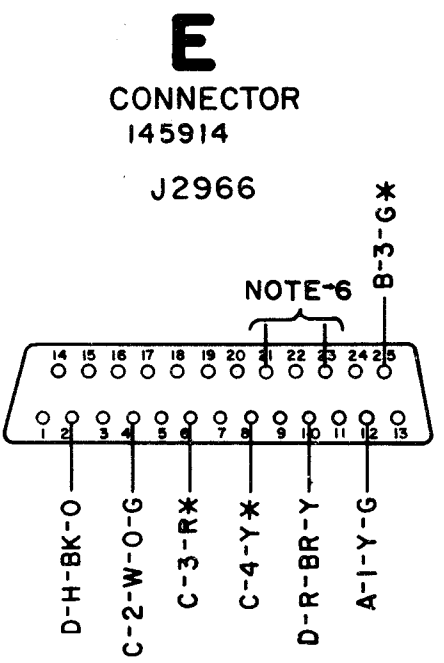
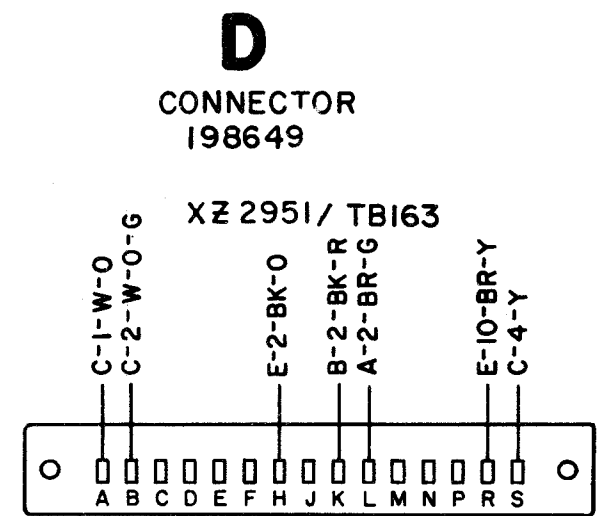
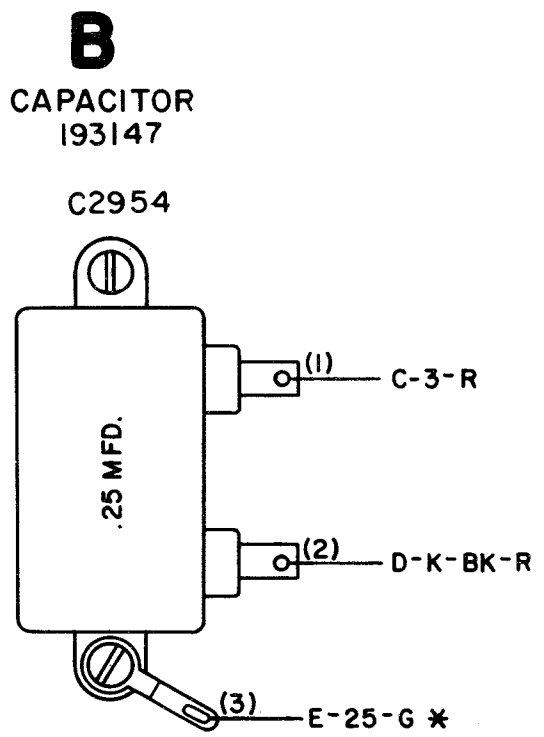
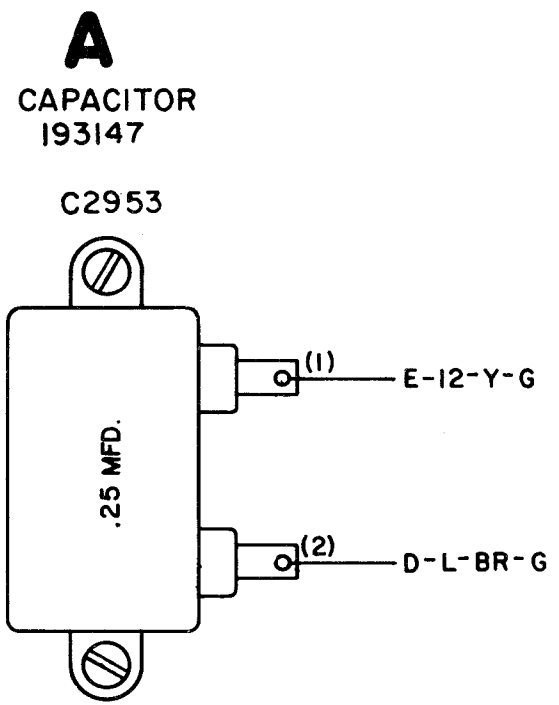


NO.	NOTES
1.	ASSOCIATED CABLE ASSEMBLY 193216
2.	* - INDICATES 18 GA.
3.	WIRE COLOR CODE: BK - BLACK G - GREEN BR - BROWN BL - BLUE R - RED P - PURPLE O - ORANGE W - WHITE Y - YELLOW S - SLATE
4.	WIRING LEGEND: DISTANT TERMINATING AREA DISTANT TERMINATING DESIGNATION WIRE COLOR CODE B-I-R
5.	TERMINAL DESIGNATION IN PARENTHESES () ARE FOR REFERENCE, AND NOT MARKED ON COMPONENT.
6.	THESE PINS USED BY LOWTAPE CIRCUIT WHEN SPECIFIED.
7.	FOR SCHEMATIC SEE 5720WD.

5729WD		
ISSUE	DATE	AUTH. NO.
2	11-29-63	79452
3	8-5-64	82110
4	1-7-65	83824-1



RTTY ELECTRONICS
TELETYPE=Sales-Service-Parts
PO Box 20101 El Sobrante, Ca.
94820. (510)222-3102
mr_rtty@pacbell.net

ACTUAL WIRING DIAGRAM MOTOR START PANEL ASSEM. NO. 193234	
APPROVALS	
D AND R	E OF M
<i>[Signature]</i>	
E-NUMBER	
PROD. NO. 5729 WD	
DATE: 6-30-63	
P.D. FILE NO. 33-A25AA	
DRAWN. F.C.S.	CHKD. <i>[Signature]</i>
ENG. R.E.P.	APPD. <i>[Signature]</i>
TELETYPE CORPORATION	
5729 WD	