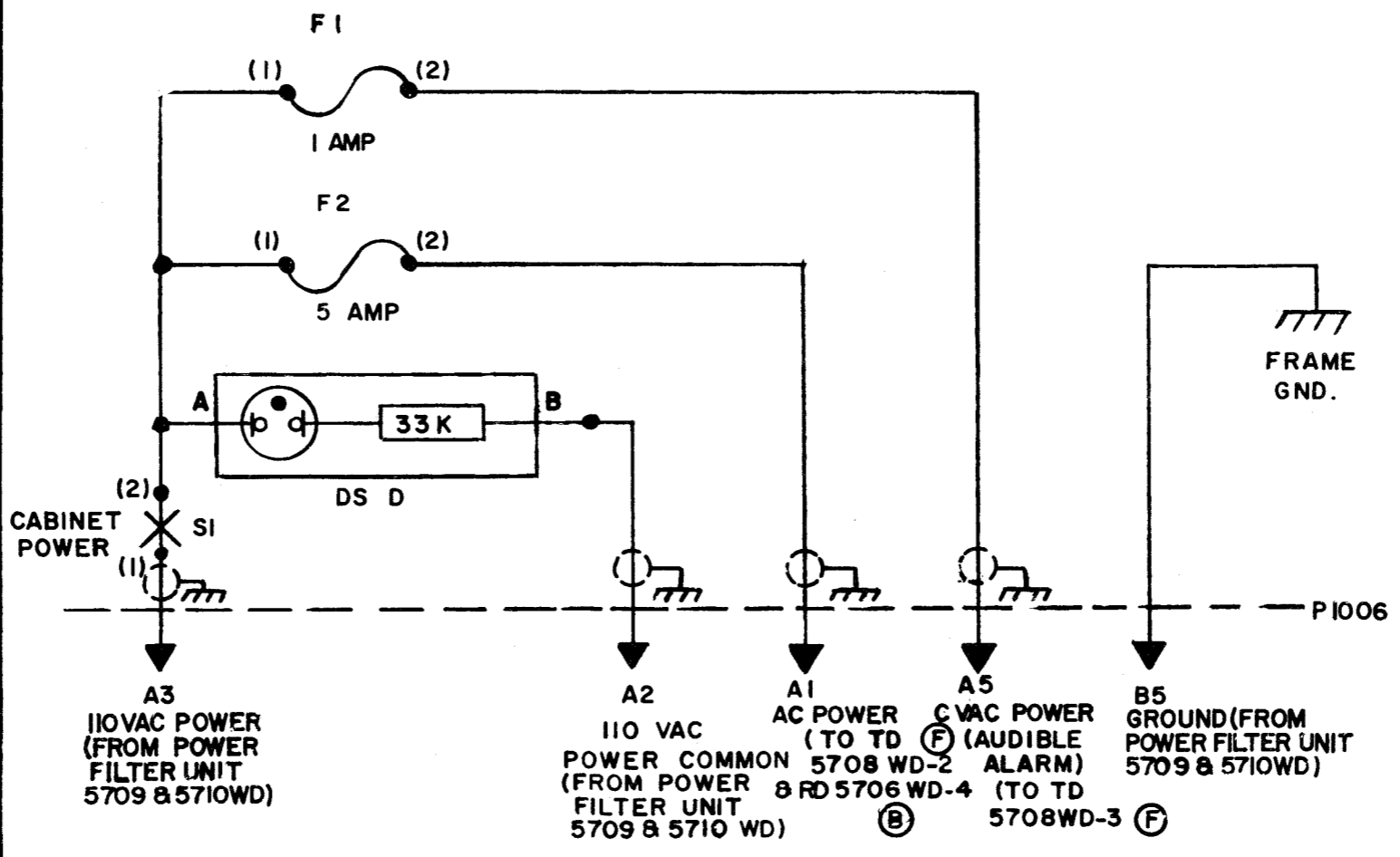
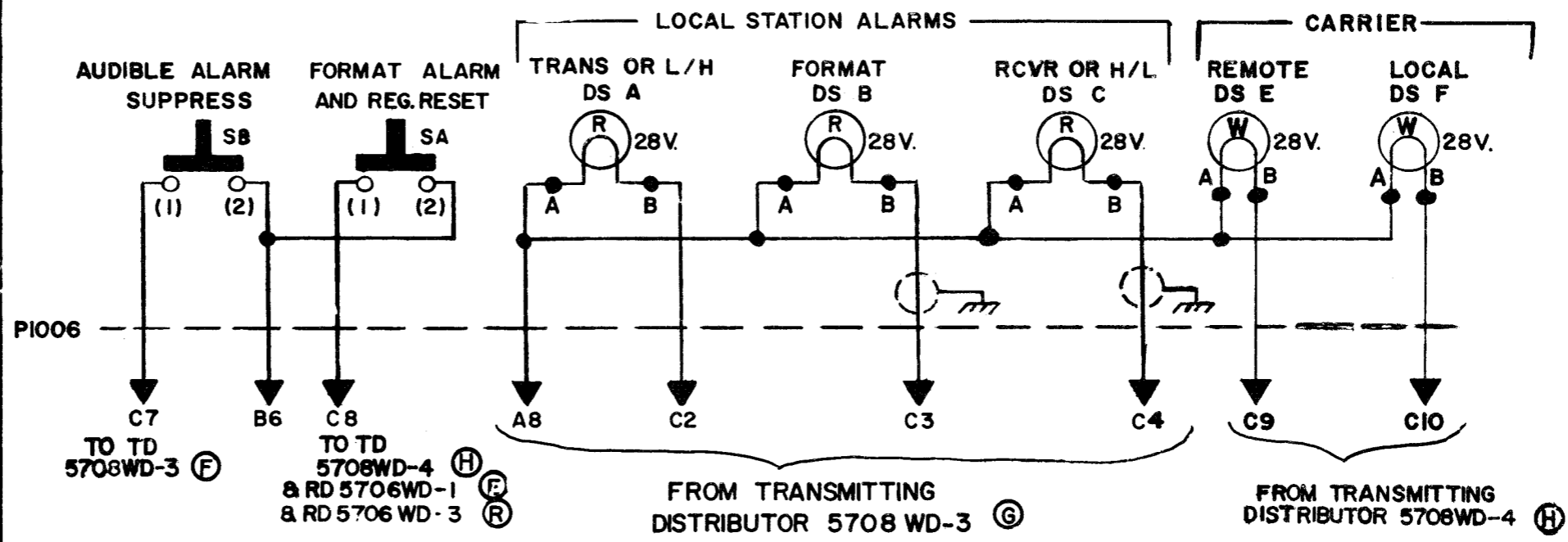


- NO. NOTES
- REFER TO 5747WD FOR ACTUAL WIRING DIAGRAM.
 - TERMINAL DESIGNATION ENCLOSED IN PARENTHESES ARE FOR REFERENCE AND NOT MARKED ON COMPONENT.
 - SIGNALS GOING FROM ONE WD TO ANOTHER WHICH ARE CONNECTED TOGETHER HAVE THE SAME TITLE ON EACH WD.

5748 WD

ISSUE	DATE	AUTH. NO.
1	4-7-64	79849
2	8-31-64	82490
3	2-3-65	84878
4	12-22-65	85444
5	4-18-66	90307



RTTY ELECTRONICS
 TELETYPE-Sales-Service-Parts
 PO Box 2010 - Sobrante, Ca.
 94820. (510)222-3102
 mr_rtty@pacbell.net

SCHEMATIC WIRING DIAGRAM FOR IA CONTROL PANEL

ASSEM NO. 193215

APPROVALS

D AND R	E OF M
<i>[Signature]</i> 12/24/63	<i>[Signature]</i>

E-NUMBER

PROD. NO. 5748WD

DATE: 9-30-63

P.D. FILE NO. 33-A25AA

DRAWN N.A.R. CHKD. *[Signature]*

ENGD. S.A.P. APPD. *[Signature]*

TELETYPE CORPORATION

5748 WD