

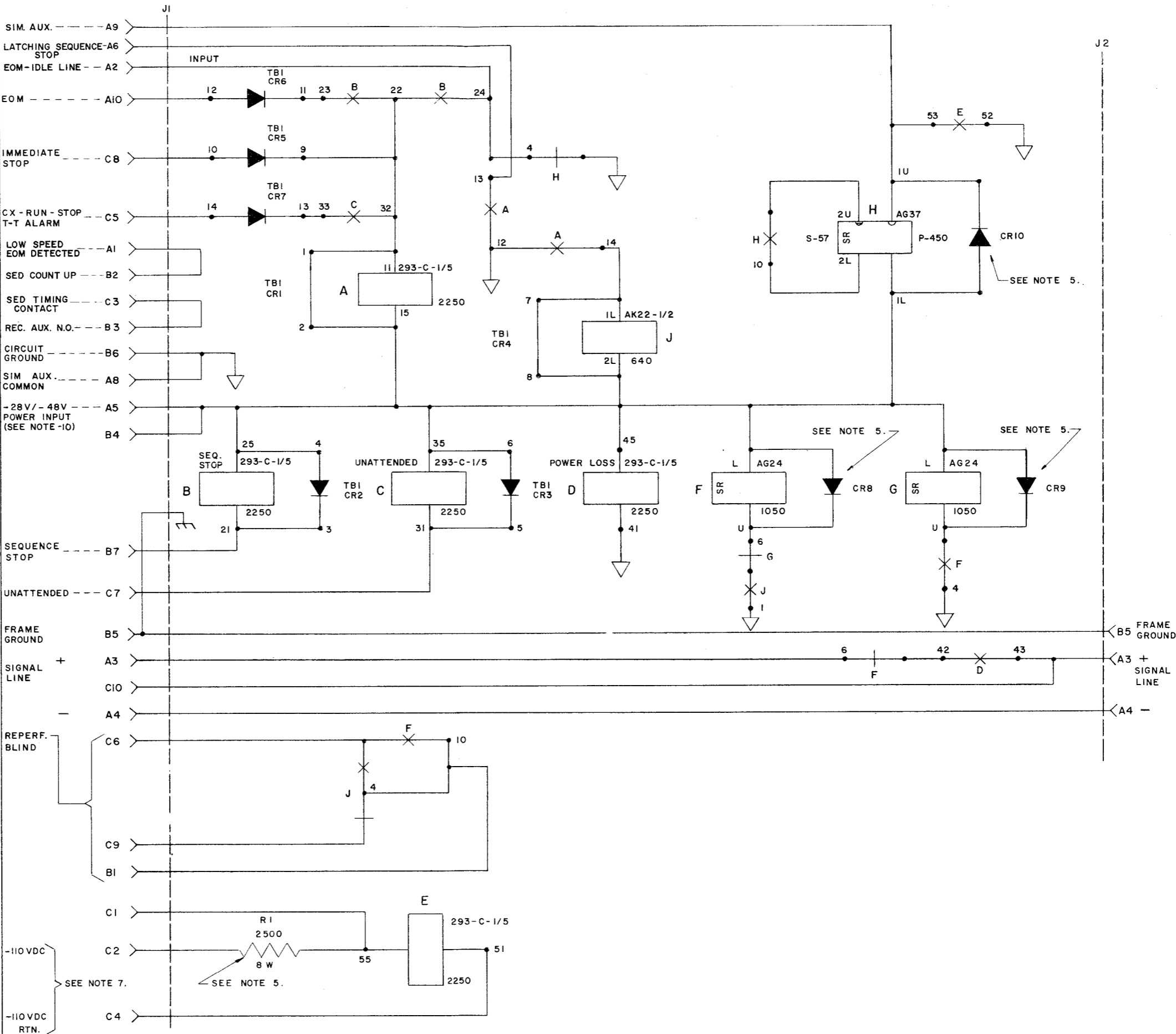
5794WD

REVISIONS

ISSUE	DATE	AUTH. NO.
1	4-21-66	16980-R

RTTY ELECTRONICS
 TELETYPE=Sales-Service-Parts
 PO Box 20101 El Sobrante, Ca.
 94820. (510)222-3102
 mr_rtty@pacbell.net

- NO. NOTES
- ALL VOLTAGES D.C., UNLESS OTHERWISE SPECIFIED.
 - ALL RESISTANCE VALUES IN OHMS.
 - THE RESISTANCE OF ALL RELAY COILS IS IN OHMS, UNLESS OTHERWISE SPECIFIED.
 - INDICATES FEMALE AND INDICATES MALE TERMINAL ON CONNECTORS
 - COMPONENTS INDICATED ARE CONNECTED ACROSS TERMINALS INDICATED.
 - ALL DIODES ARE IN462.
 - THESE VOLTAGES ARE NOT SUPPLIED IN ALL APPLICATIONS.
 - REFERENCE ACTUAL WIRING DIAGRAM: 5795WD
 -
 - THIS UNIT WILL OPERATE ON EITHER VOLTAGE INDICATED DEPENDING ON APPLICATION.
 - SPARE CIRCUITS:
RELAY - 1/2 AK22



SCHEMATIC
 WIRING DIAGRAM
 FOR
 LINE BREAK
 GENERATOR

ASSEMBLY NO. 311614

APPROVALS

D AND R <i>[Signature]</i>	E OF M <i>[Signature]</i>
-------------------------------	------------------------------

E-NUMBER

PROD. NO. 5794WD

DATE 7-7-65

P.D. FILE NO. 33-A25AA

DRAWN WO	CHKD. <i>[Signature]</i>
----------	--------------------------

ENGD. REP	APPD. <i>[Signature]</i>
-----------	--------------------------

TELETYPE CORPORATION

5794WD