

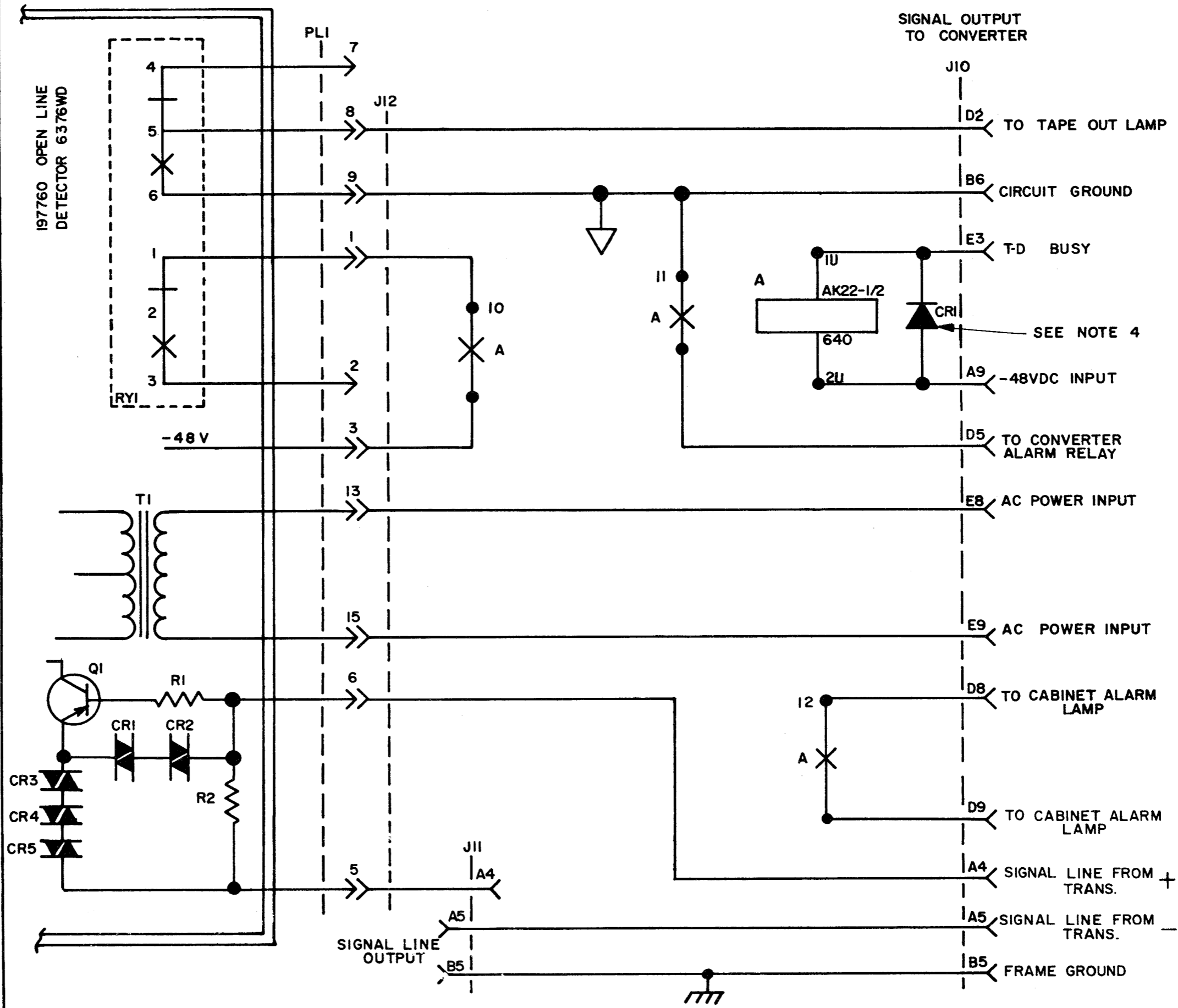
5796 WD

REVISIONS

ISSUE	DATE	AUTH. NO.
1	4-21-66	16980-R

- NO. NOTES
- FOR ACTUAL WIRING DIAGRAM SEE 5797WD.
  - RELAY COIL RESISTANCE EXPRESSED IN OHMS.
  - ALL VOLTAGES D.C. UNLESS OTHERWISE SPECIFIED.
  - 178848 DIODE WIRED ACROSS RELAY COIL TERMINALS
  - 
  - FOR TELETYPE PERSONNEL SPARE CIRCUITS AVAILABLE -  
1- RELAY AK22-1/2

RTTY ELECTRONICS  
TELETYPE-Sales-Service-Parts  
PO Box 20101 El Sobrante, Ca.  
94820. (510)222-3102  
mr\_rtty@pacbell.net



SCHEMATIC WIRING DIAGRAM FOR  
OPEN LINE DETECTOR AND  
TRANSMITTER STOP CONTROL

ASSEM. NO. 311615

APPROVALS  
D AND R E OF M  
*[Signatures]*

E NUMBER  
PROD. NO. 5796 WD

DATE: 6-19-65  
P.D. FILE NO. 33-A25AA

DRAWN R.P. CHKD. *[Signature]*  
ENGD. R.E.P. APPD. *[Signature]*

TELETYPE CORPORATION

5796 WD