

5823 WD

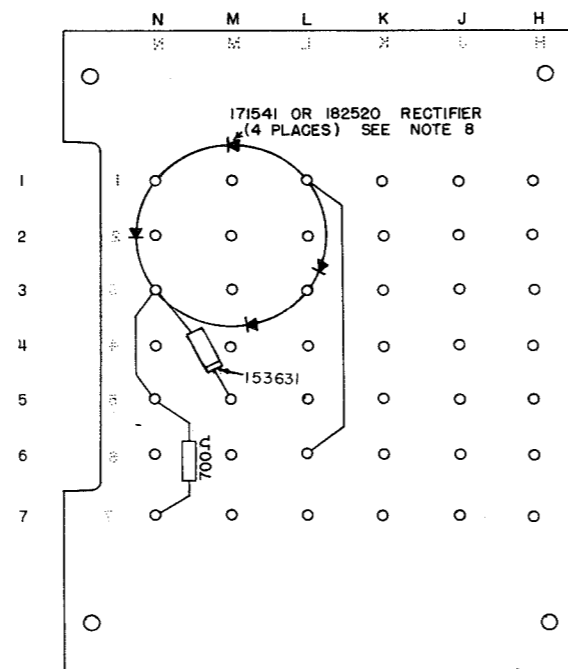
REVISIONS

ISSUE	DATE	AUTH. NO.
2	12-13-62	75364
3	4-3-63	76412
4	1-15-64	79804
5	6-18-64	82025
6	9-2-65	88068

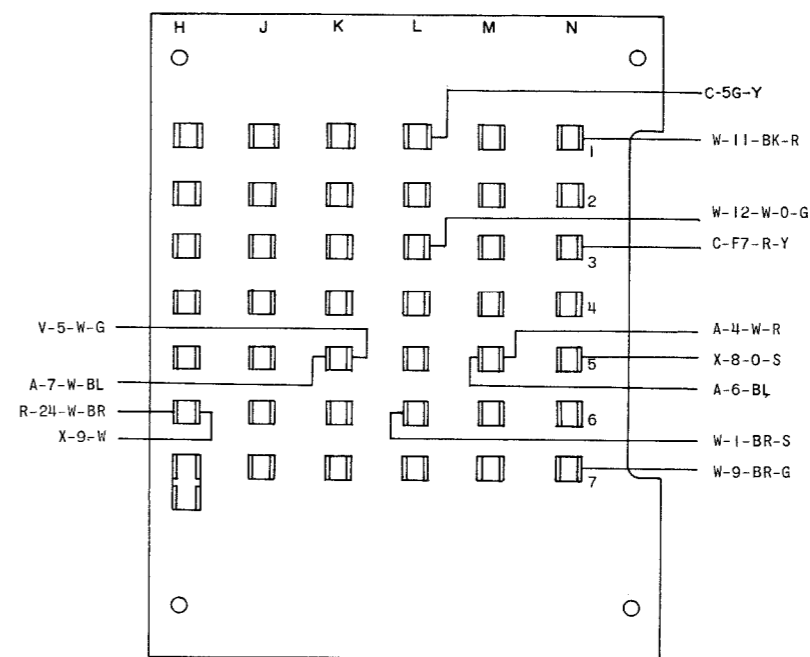
- NOTES
- WIRING LEGEND:
 - DISTANT TERMINATING AREA
 - DISTANT TERMINATING DESIGNATION
 - V-5-W-G
 - WIRE COLOR CODE
 - COLOR CODE:

W-WHITE	BK-BLACK
O-ORANGE	BL-BLUE
G-GREEN	BR-BROWN
S-SLATE	Y-YELLOW
R-RED	P-PURPLE
 - *REFERS TO 18 GA. WIRES ALL OTHER WIRING IS 24 GA.
 - RECEPTACLES VIEWED FROM WIRING SIDE.
 - ASSOCIATED CABLES:
 - 193474 CABLE ASSEMBLY (MAIN)
 - 193475 CABLE ASSEMBLY
 - ALL COMPONENT LEADS COVERED WITH 60340 RM VINYL GLASS TUBING EXCEPT 182520 SILICON RECTIFIERS.
 - CONNECT EITHER LEAD OF BELL TO C-AA2 AND THE REMAINING LEAD TO C-AA5.
 - THIS SCHEMATIC SYMBOL DESIGNATES EITHER OF THE INTERCHANGEABLE PARTS BELOW:
 - 171541
 - 182520
 - CATHODE END

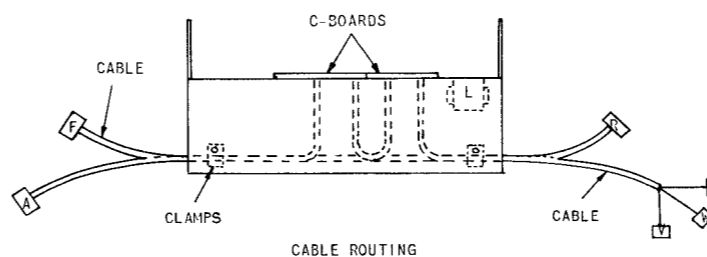
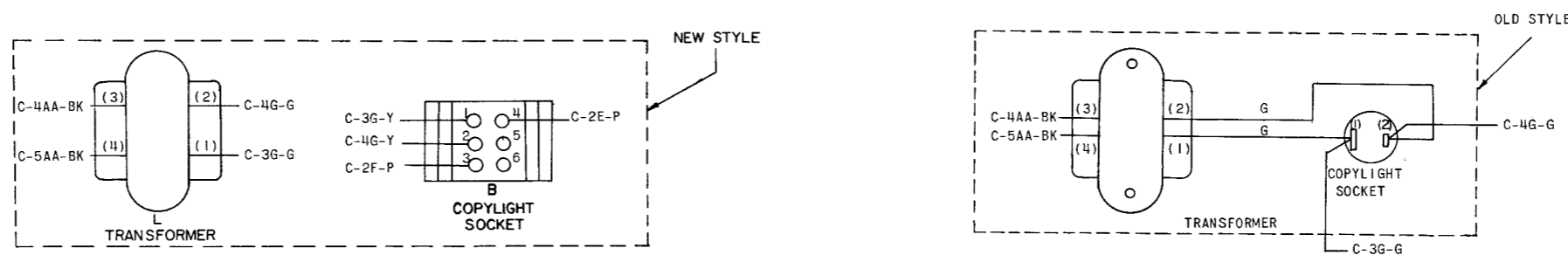
C
WIRING FIELD
UNDERSIDE
(NOT CONNECTED TO OTHER AREAS)



C
WIRING FIELD



L
COPYLIGHT POWER SUPPLY



RTTY ELECTRONICS
TELETYPE=Sales-Service-Parts
PO Box 20101 El Sobrante, Ca.
94820. (510)222-3102
mr_rtty@pacbell.net

SHEET 1 OF 2

ACTUAL
WIRING DIAGRAM
FOR
MODEL 35
LESU
302

APPROVALS

D AND R <i>HJK</i>	E OF M <i>[Signature]</i>
-----------------------	------------------------------

E-NUMBER

PROD. NO. 5823WD

DATE 5/23/64

P.D. FILE NO. 1.512-151AA

DRAWN AD CHKD.

ENGD. RDS APPD.

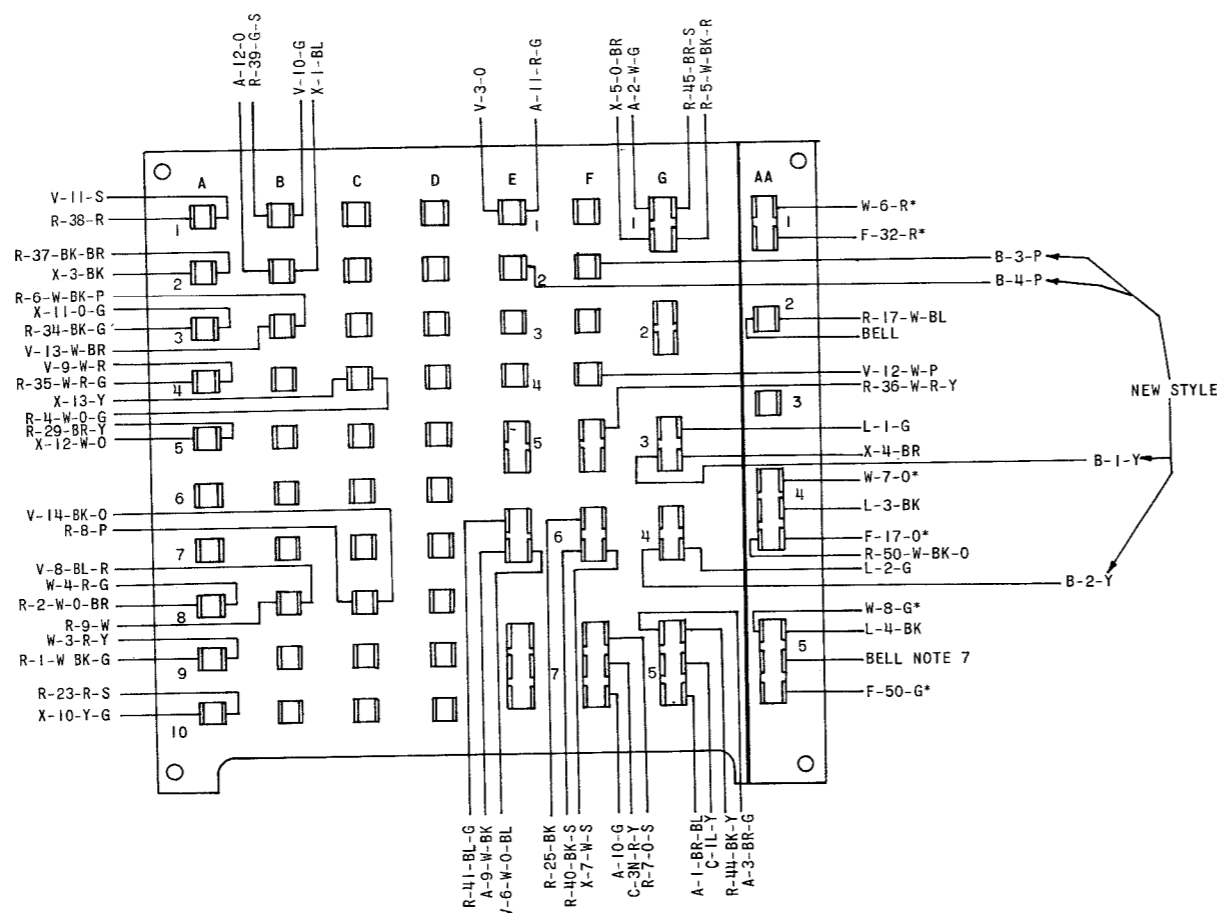
TELETYPE CORPORATION

5823 WD

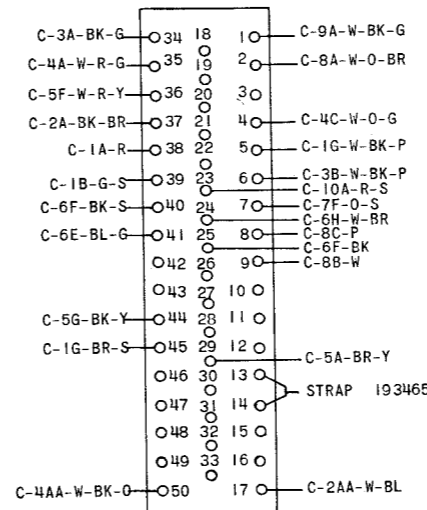
REVISIONS		
ISSUE	DATE	AUTH. NO.
2	12-13-62	75364
3	4-3-63	76412
4	1-15-64	79804
5	6-18-64	82025

SEE SHEET 1 FOR NOTES

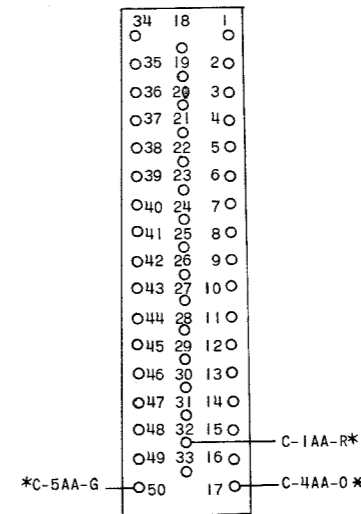
C WIRING FIELD



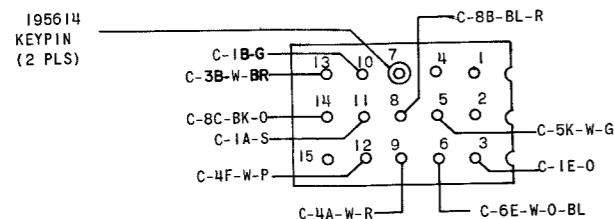
R CONNECTOR



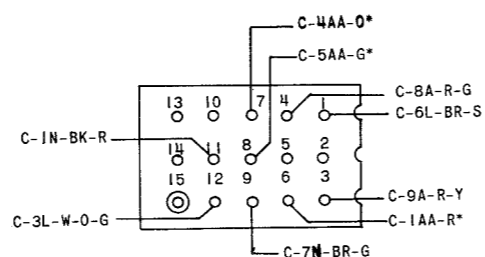
F CONNECTOR



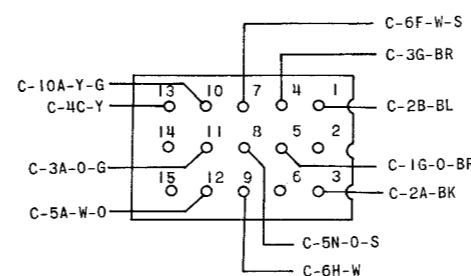
V CONNECTOR (NUMBERED-8)



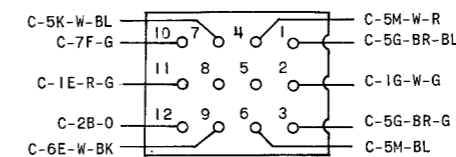
W CONNECTOR (NUMBERED-7)



X CONNECTOR (NUMBERED-6)



A CONNECTOR



SHEET 2 OF 2

ACTUAL WIRING DIAGRAM FOR MODEL 35 LESU 302

APPROVALS

D AND R E OF M
[Signatures]

E-NUMBER

PROD. NO. 5823WD

DATE 5/23/64

R.D. FILE NO. 1.512-151AA

DRAWN AD CHKD.

ENGD. RDS APPD.

TELETYPE CORPORATION