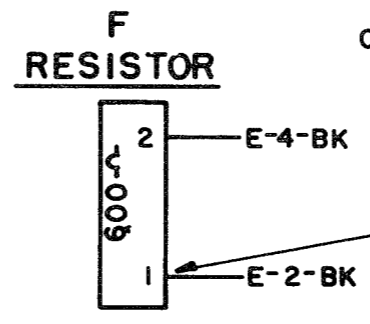
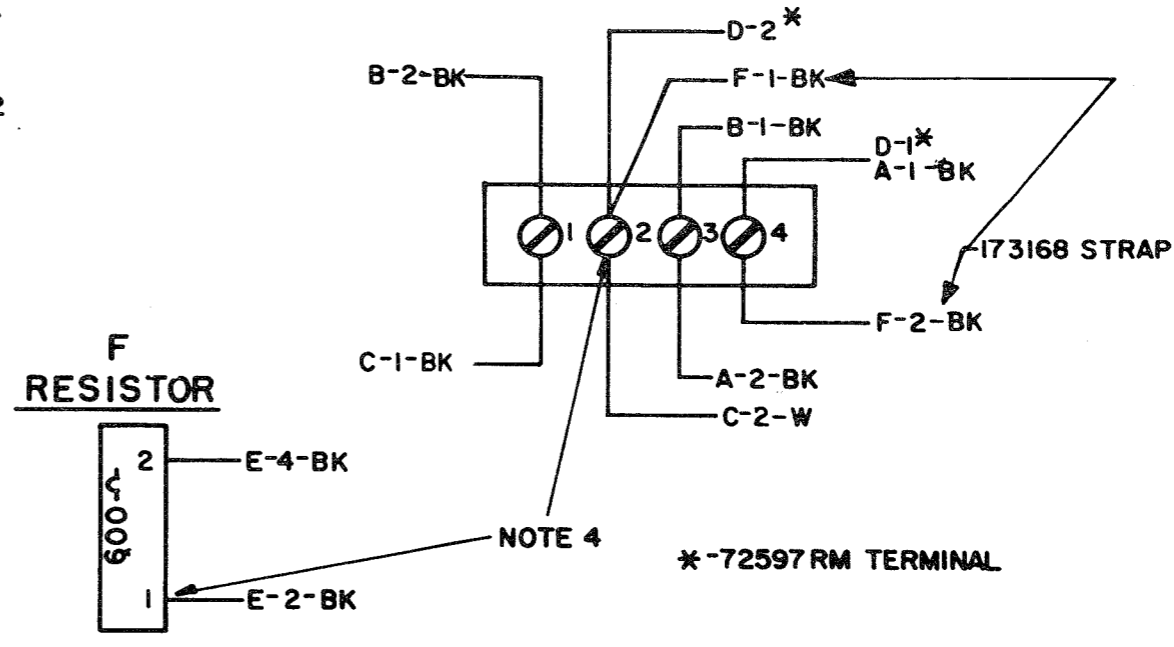
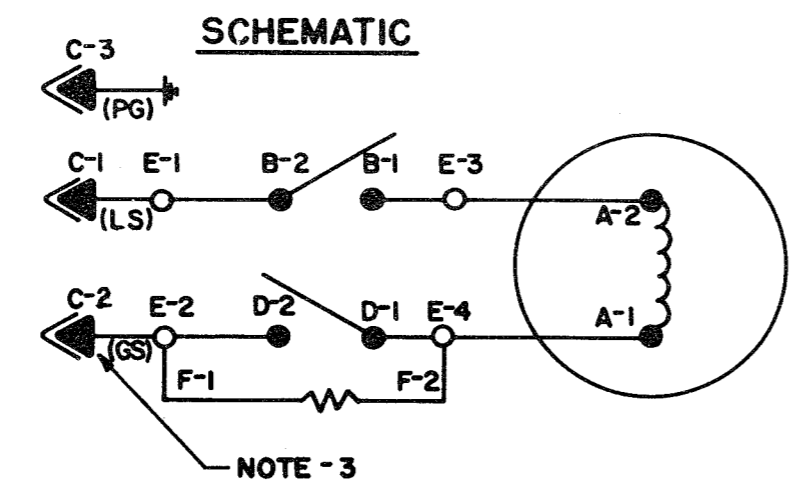
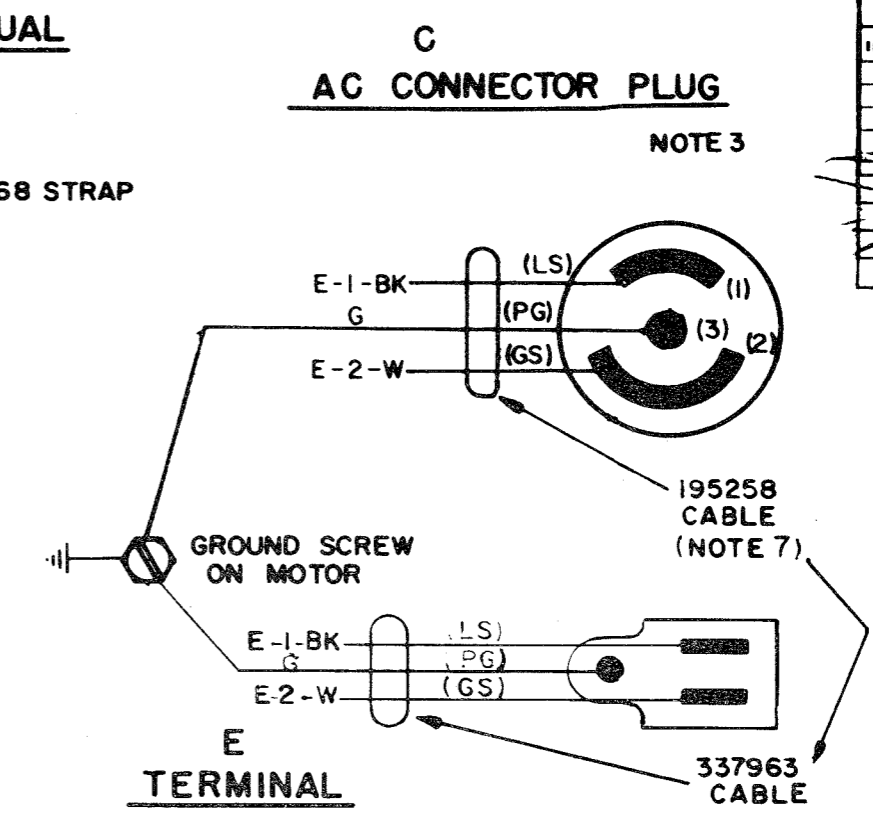
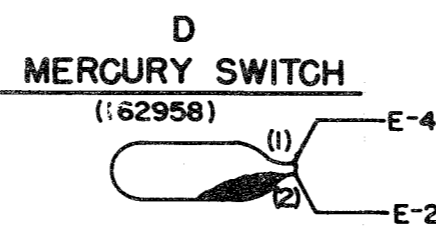
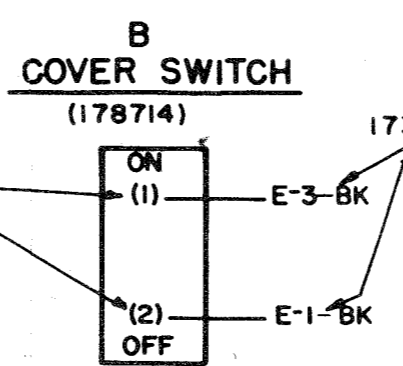
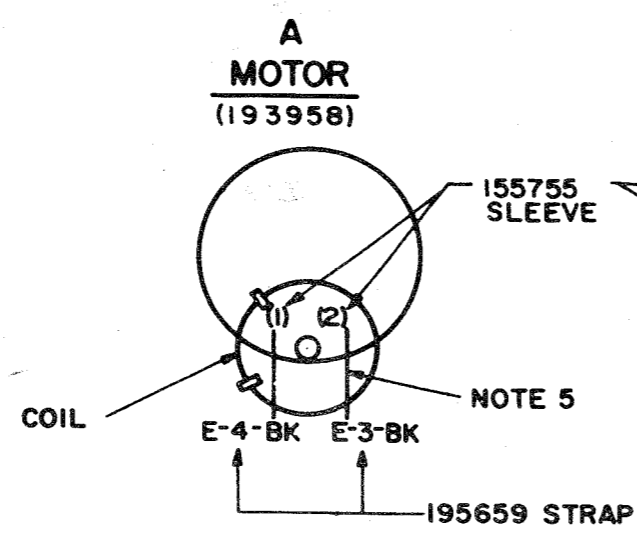


5830 WD

REVISIONS

ISSUE	DATE	AUTH. NO.
2	11-8-62	75064
3	11-27-62	75207
4	1-10-63	75653
5	4-22-63	76601
6	12-23-63	77313
7	6-7-67	94092
8	10-15-70	976
9	4-21-71	2652
10	4-30-71	2770

- NOTES**
- WIRING LEGEND**
 - COLOR CODE:**
R-RED W-WHITE BK-BLACK
 - MATING CONNECTOR 114466 IS FURNISHED WITH UNIT. WIRING BETWEEN A.C. POWER AND 114466 IS TO BE PROVIDED IN FIELD AT INSTALLATION TIME.**
 - REMOVE AND TAPE RESISTOR LEADS WHEN LPW300 IS OPERATED WITH MODEL 32 AND 33 PAGE PRINTERS.**
 - MOTOR OPERATES ON 50-60 CYCLE 110 V.A.C.**
 - THE NUMBERS ENCLOSED BY PARENTHESES ARE USED FOR REFERENCE AND ARE NOT SHOWN ON THE PART.**
 - THE 195298 CABLE IS REPLACED BY 337963 CABLE ON DAPW 3**



WDP

ACTUAL AND SCHEMATIC WIRING DIAGRAM OF LPW300 DAPW3

APPROVALS

D AND R E OF M

HJK *[Signature]*

E-NUMBER

PROD. NO. 5830 WD

DATE: 5-22-62

P.D. FILE NO. 13-99AAA

DRAWN TJM CHKD. *[Signature]*

ENGD. JCF APPD. *[Signature]*

TELETYPE CORPORATION

5830 WD

RTTY ELECTRONICS
TELETYPE=Sales-Service-Parts
PO Box 20101 El Sobrante, Ca.
94820. (510)222-3102
mr_rtty@pacbell.net