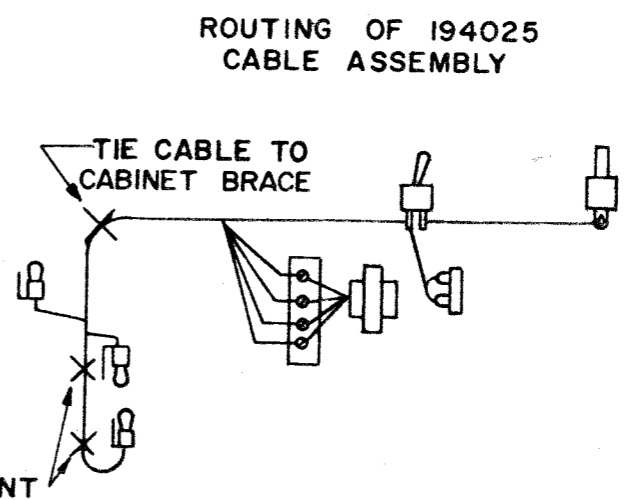
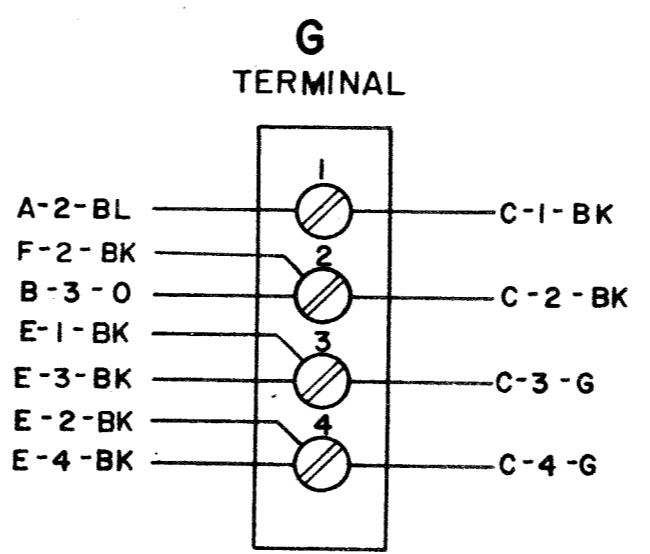
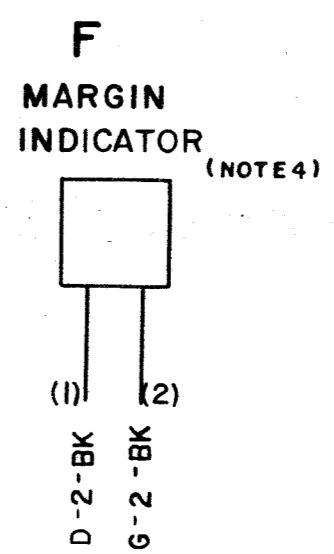
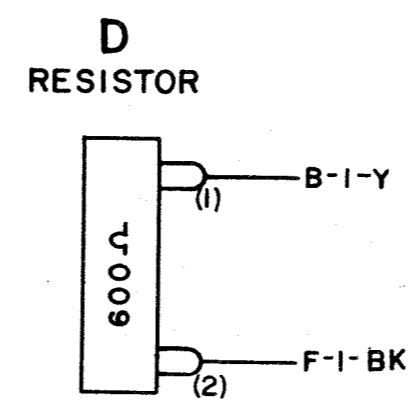
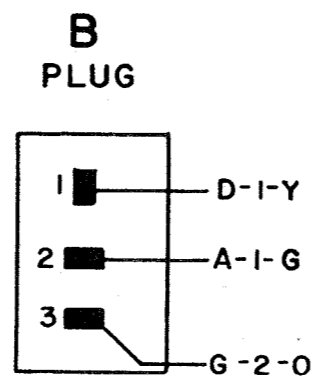
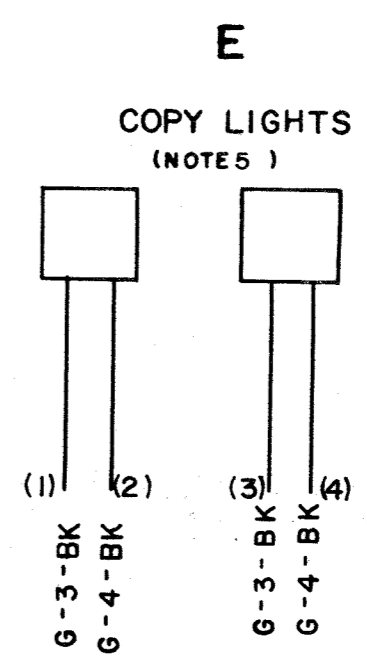
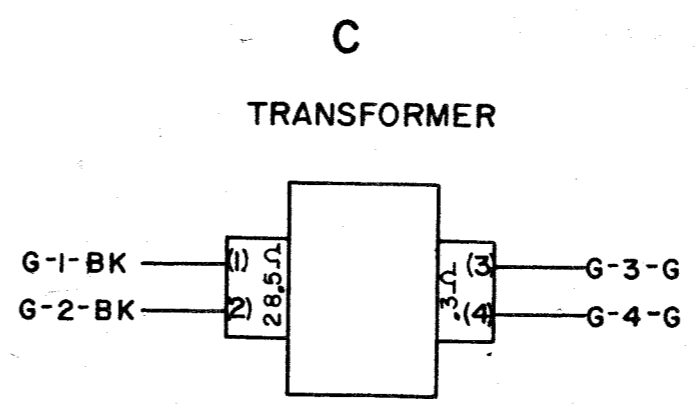
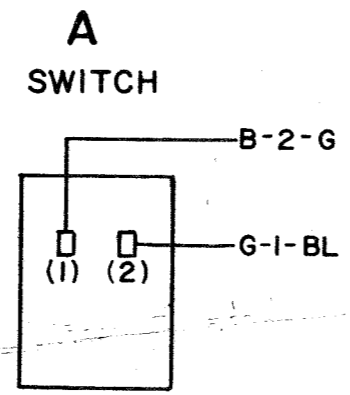


5831 WD

ISSUE	DATE	AUTH. NO.
A	1-14-63	75657

- NO NOTES
- WIRING LEGEND:**
- DISTANT TERMINATING AREA
 DISTANT TERMINATING DESIGNATION
 C-1-BL
 WIRE COLOR CODE
 - X DENOTES TAPED OR SPLICED AND TAPED WIRES.
 - COLOR CODE:**

BK - BLACK	G - GREEN
BR - BROWN	BL - BLUE
R - RED	P - PURPLE
O - ORANGE	W - WHITE
Y - YELLOW	S - SLATE
 - USE 60 VOLT LAMP ONLY. TELETYPE PART 153400.
 - USE 6 VOLT LAMPS ONLY. TELETYPE PART 151982.



RTTY ELECTRONICS
 TELETYPE Sales-Service-Parts
 PO Box 2010, Sobrante, Ca.
 94820. (510)222-3102
 mr_rtty@pacbell.net

ACTUAL WIRING DIAGRAM FOR MODEL 28 PRINTER COVER LPC 202

APPROVALS

D AND R	E OF M
E-NUMBER	
PROD. NO. 5831WD	
DATE: 4-26-62	
P.D. FILE NO. 25-30 65/120AA	
DRAWN E.E.	CHKD
ENGD. D.A.K.	APPD.

TELETYPE CORPORATION
 5831 WD