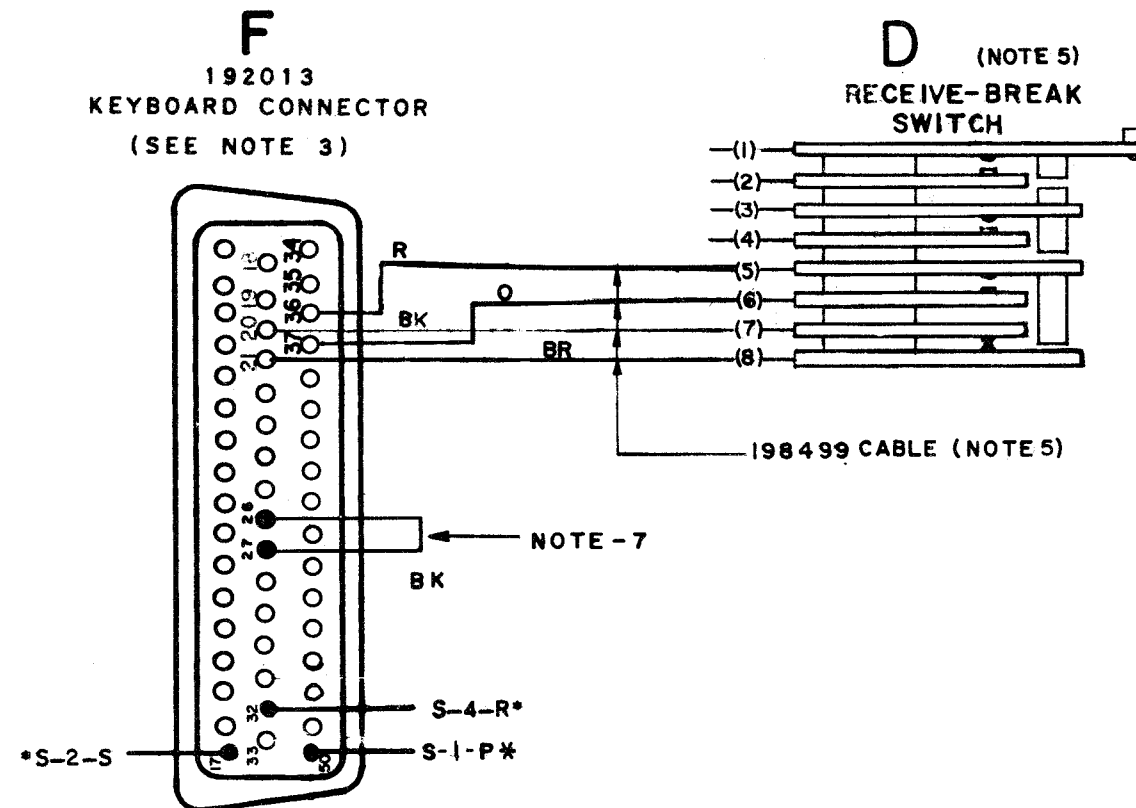
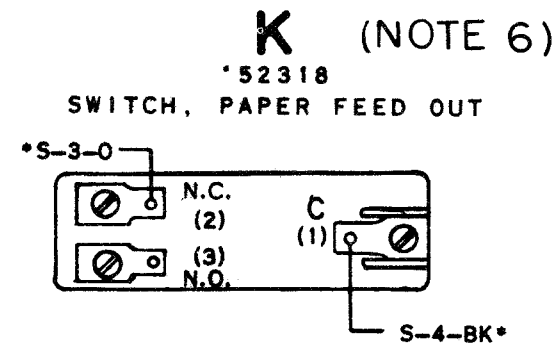
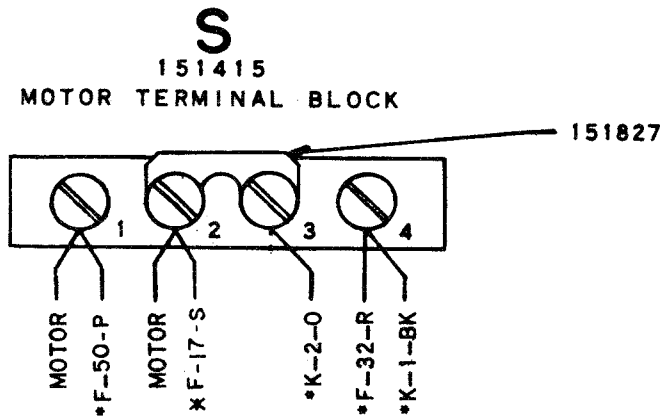


- NO. NOTES
- WIRING LEGEND:
 - DISTANT TERMINATING AREA
 - DISTANT TERMINAL DESIGNATION
 - A-1-W-BL
 - WIRE COLOR CODE
 - COLOR CODE:
 - BK-BLACK
 - R-RED
 - P-PURPLE
 - S-SLATE
 - O-ORANGE
 - CONNECTOR VIEWED FROM BOTTOM.
 - * ASTERISK DENOTES #18 GA. WIRE.
 - THE RECEIVE-BREAK SWITCH AND 198499 CABLE ARE PART OF LB802.
 - THE PAPER FEED-OUT SWITCH IS NOT A PART OF LB802 OR LB803
 - THE 192318 STRAP IS PRESENT ONLY ON LB803.

RTTY ELECTRONICS
 TELETYPE=Sales-Service-Parts
 PO Box 20101 El Sobrante, Ca.
 94820. (510)222-3102
 mr_rtty@pacbell.net



5857 WD

REVISIONS

ISSUE	DATE	AUTH. NO.
A2	9-18-62	74559
B3	11-7-62	75035
C4	12-17-63	79279
D5	1-21-64	79301
E6	4-6-64	80159
F7	7-2-64	80159-1
G8	9-23-66	91149
H9	10-10-66	91488RC
I10	11-30-67	94720-B

ACTUAL
 WIRING DIAGRAM
 FOR MODEL 35
 BASE
 LB800, LB801,
 LB802 & LB803

APPROVALS

D AND R E OF M
 F.L. HJK

E-NUMBER

PROD. NO. 5857WD

DATE: 5-18-62

P.D. FILE NO. 1-30.151AA

DRAWN V.E.S. CHKD. E.H.

ENGD. W.M.B. APPD. E.H.

TELETYPE
 CORPORATION

5857 WD