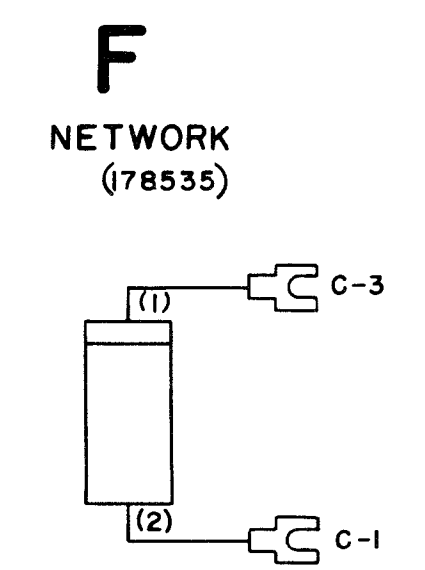
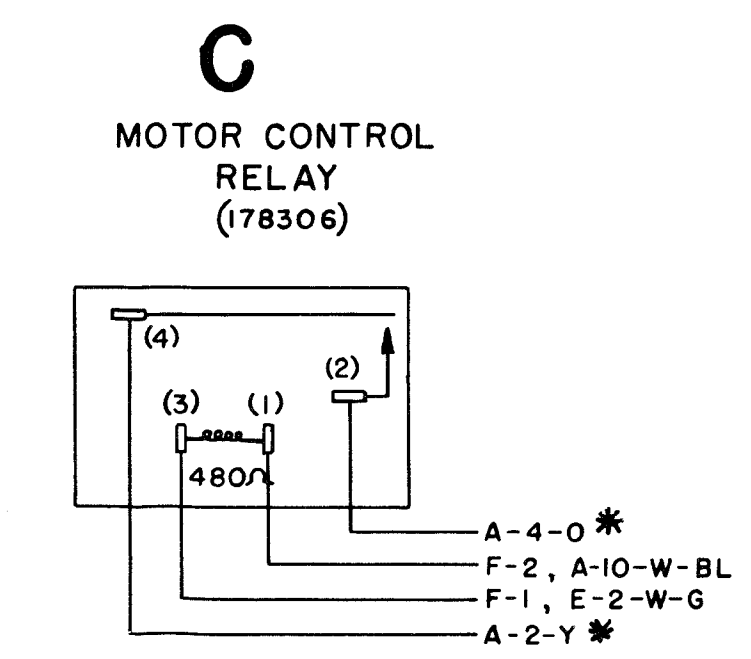
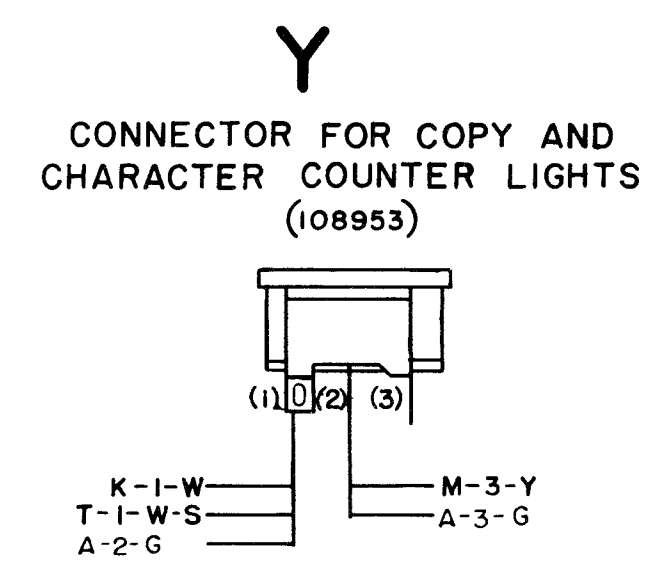
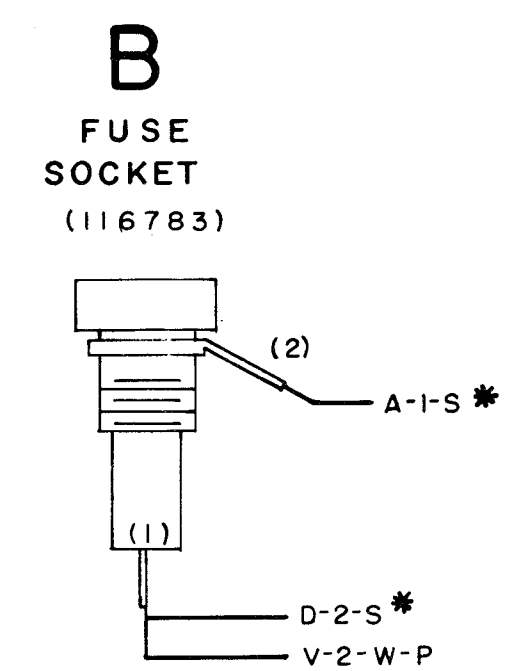
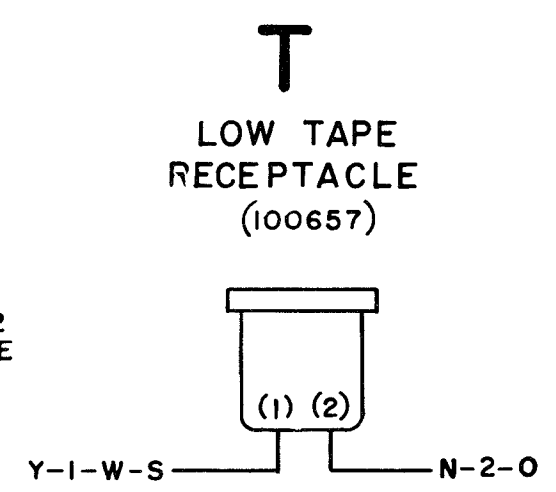
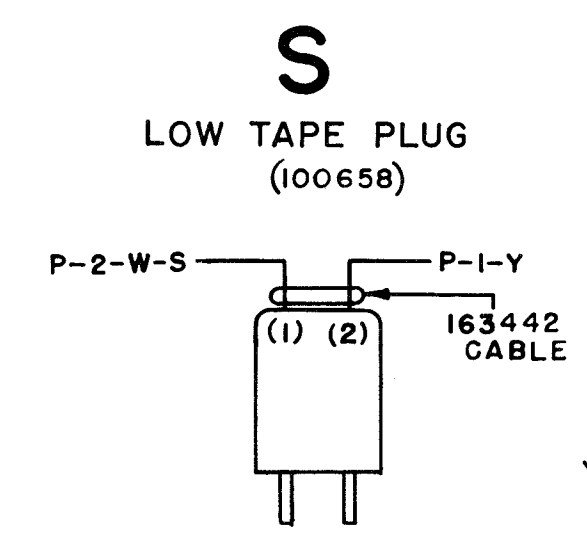
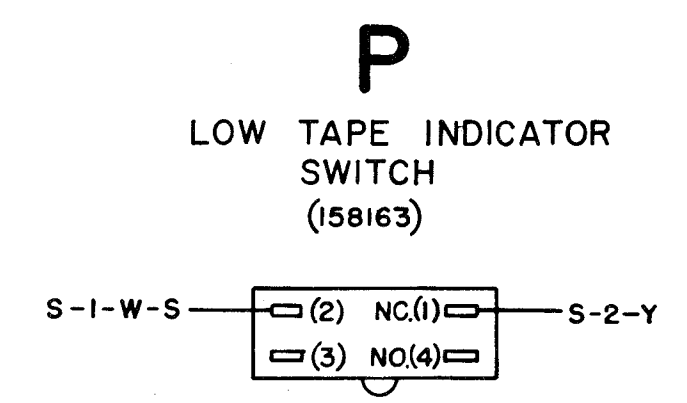
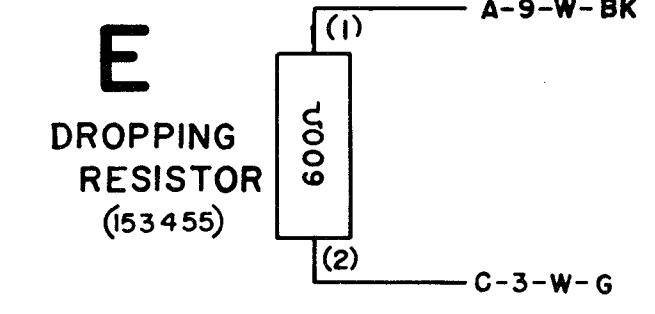
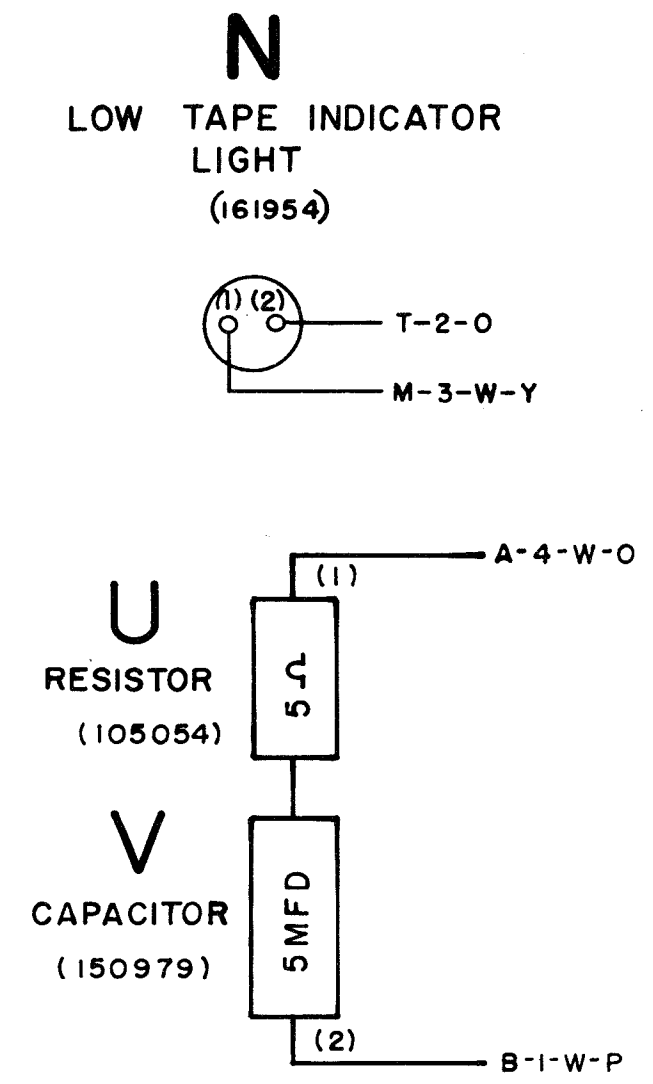
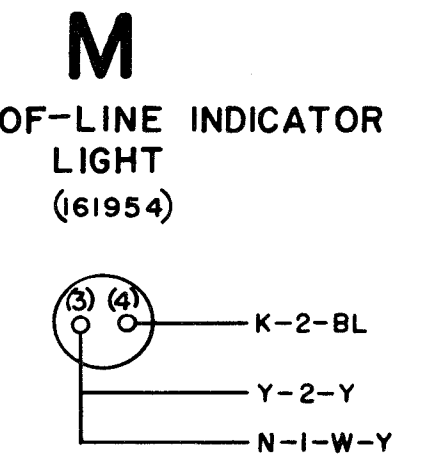
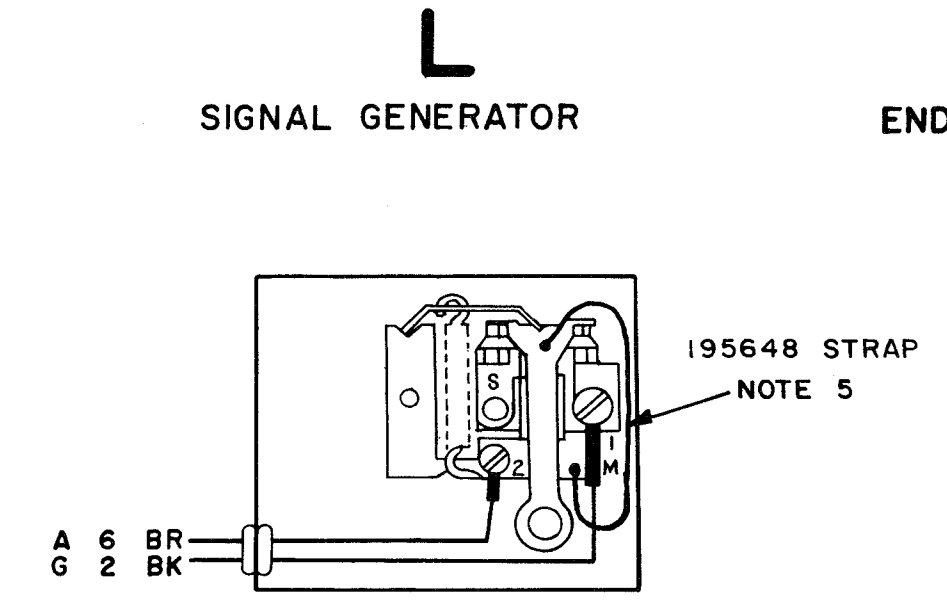
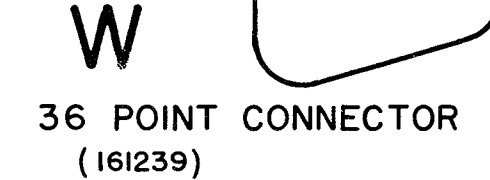
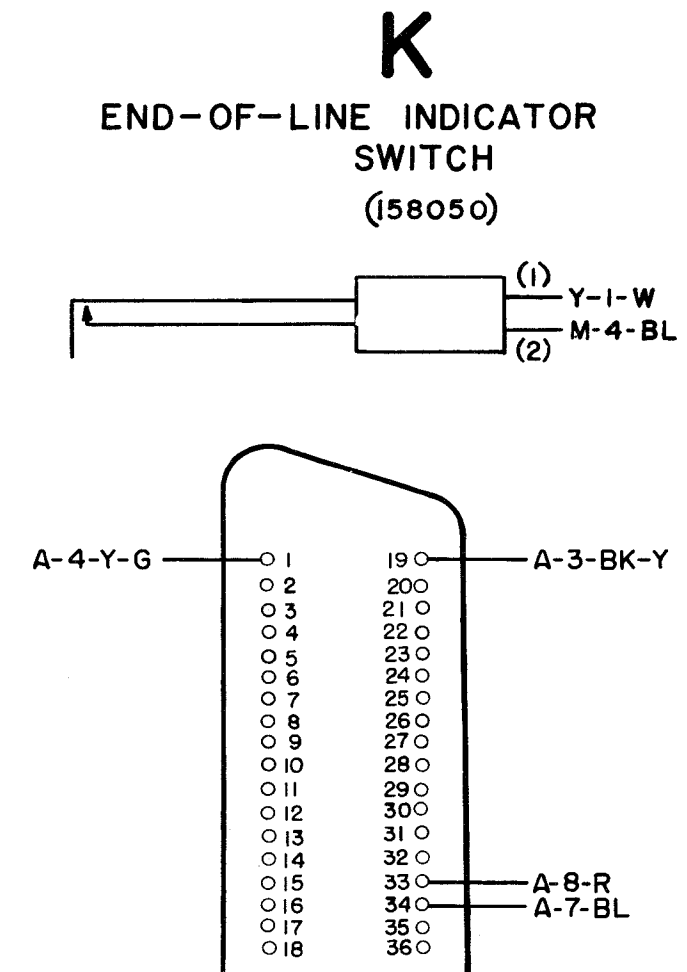
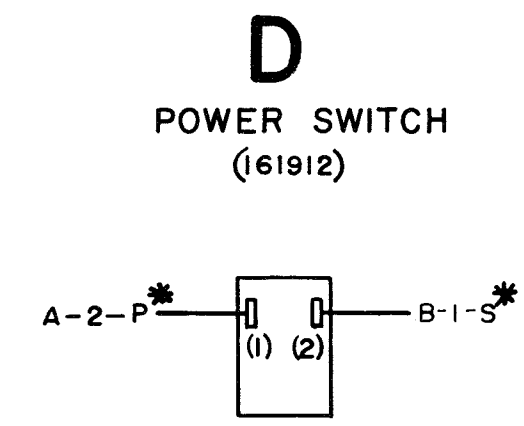
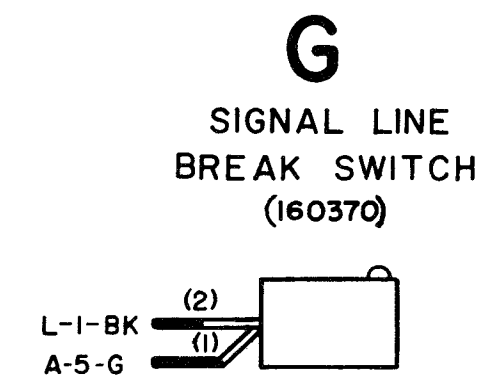
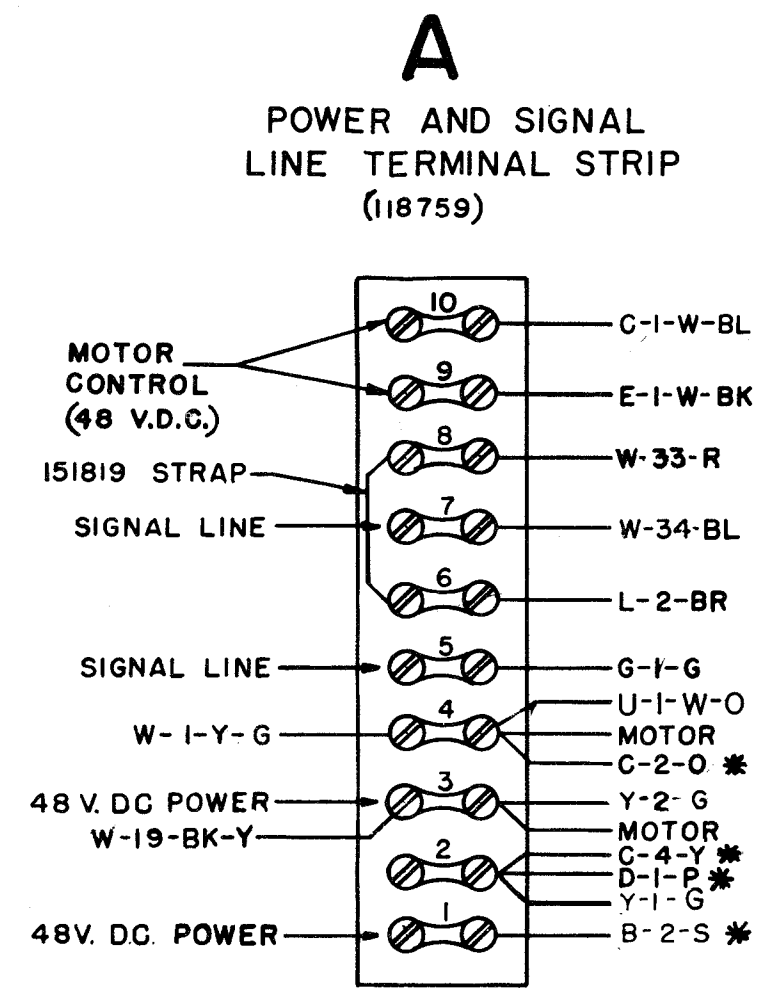


NO.	NOTES																				
1.	<p>WIRING LEGEND</p> <p>DISTANT TERMINATING AREA DISTANT TERMINAL DESIGNATION A-1-W-BL WIRE COLOR CODE</p>																				
2.	<p>COLOR CODE</p> <table border="0"> <tr> <td>BK - BLACK</td> <td>W-BK WHITE - BLACK</td> </tr> <tr> <td>BR - BROWN</td> <td>W-BR WHITE - BROWN</td> </tr> <tr> <td>R - RED</td> <td>W-R WHITE - RED</td> </tr> <tr> <td>O - ORANGE</td> <td>W-O WHITE - ORANGE</td> </tr> <tr> <td>Y - YELLOW</td> <td>W-Y WHITE - YELLOW</td> </tr> <tr> <td>G - GREEN</td> <td>W-G WHITE - GREEN</td> </tr> <tr> <td>BL - BLUE</td> <td>W-BL WHITE - BLUE</td> </tr> <tr> <td>P - PURPLE</td> <td>W-P WHITE - PURPLE</td> </tr> <tr> <td>S - SLATE</td> <td>W-S WHITE - SLATE</td> </tr> <tr> <td>W - WHITE</td> <td></td> </tr> </table>	BK - BLACK	W-BK WHITE - BLACK	BR - BROWN	W-BR WHITE - BROWN	R - RED	W-R WHITE - RED	O - ORANGE	W-O WHITE - ORANGE	Y - YELLOW	W-Y WHITE - YELLOW	G - GREEN	W-G WHITE - GREEN	BL - BLUE	W-BL WHITE - BLUE	P - PURPLE	W-P WHITE - PURPLE	S - SLATE	W-S WHITE - SLATE	W - WHITE	
BK - BLACK	W-BK WHITE - BLACK																				
BR - BROWN	W-BR WHITE - BROWN																				
R - RED	W-R WHITE - RED																				
O - ORANGE	W-O WHITE - ORANGE																				
Y - YELLOW	W-Y WHITE - YELLOW																				
G - GREEN	W-G WHITE - GREEN																				
BL - BLUE	W-BL WHITE - BLUE																				
P - PURPLE	W-P WHITE - PURPLE																				
S - SLATE	W-S WHITE - SLATE																				
W - WHITE																					
3.	UNIT WIRED FOR 48 VOLTS DC POWER INPUT.																				
4.	CONNECTORS VIEWED FROM SOLDER TERMINAL ENDS. * INDICATES 18 GA. WIRE.																				
5.	THE 195648 STRAP IS NOT PRESENT ON EARLY MANUFACTURED UNITS.																				

RTTY ELECTRONICS  
TELETYPE=Sales-Service-Parts  
PO Box 20101 El Sobrante, Ca.  
94820. (510)222-3102  
mr\_rtty@pacbell.net



5890 WD		
REVISIONS		
ISSUE	DATE	AUTH NO.
1	8-9-62	74179
2	10-25-62	74919
3	10-22-64	84119
4	2-3-66	39420
5	8-11-66	91286
6	12-7-66	92594R0

APPROVALS	
D AND R	E OF M

E-NUMBER  
PROD. 5890 WD

ACTUAL WIRING DIAGRAM MODEL 35 TAPE PRINTER KEYBOARD LTPK 801, LTPK 804

DATE  
P.D. FILE NO.3-18/162.151AA  
DRAWN: J.D. CHKD:  
ENGD. J.R.C. APPD.

TELETYPE CORPORATION  
5890 WD