

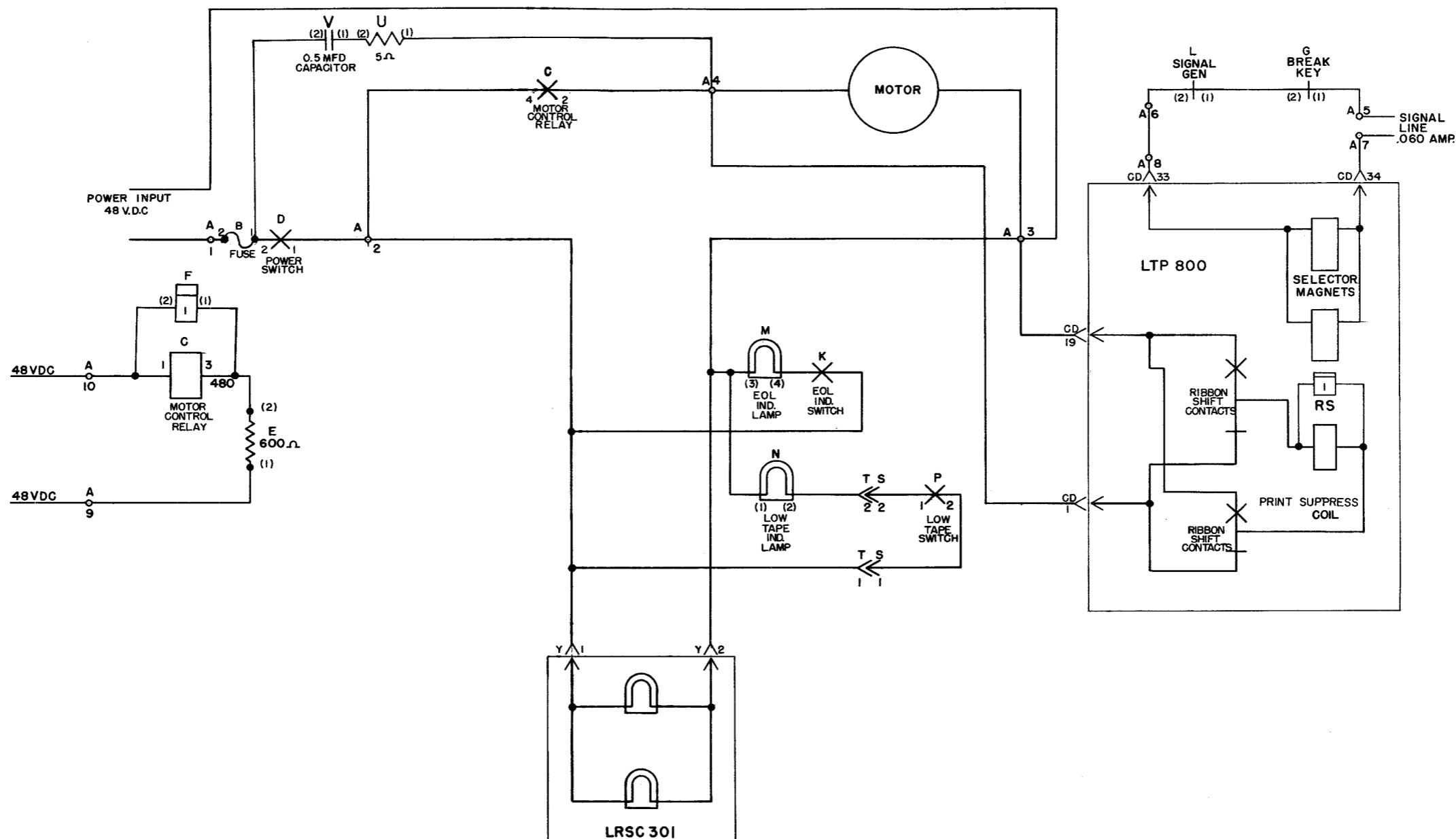
5891WD

REVISIONS

ISSUE	DATE	AUTH. NO.
A	2-6-63	75873

KEYBOARD TAPE PRINTER POWER AND CONTROL CIRCUIT

- LEGEND**
LOCATED ON KYBD
- A — 10 PT. TERM. STRIP
 - CD — 36 PT. CONNECTOR
 - T S — 2 PT. CONNECTOR
 - Y — 3 PT. CONNECTOR
 - I — 185A NETWORK



SCHEMATIC WIRING
DIAGRAM FOR
TAPE
TELETYPEWRITER
35AD

APPROVALS

R AND D	E OF M
---------	--------

E-NUMBER

PROD. NO. 5891 WD

DATE: 5-17-62

P.D. FILE NO. I-49.151AA

DRAWN: R.H.B. CHKD.

ENGD. J.A.C. APPD.

TELETYPE CORPORATION

5891WD

RTTY ELECTRONICS
TELETYPE=Sales-Service-Parts
PO Box 20101 El Sobrante, Ca.
94820. (510)222-3102
mr_rtty@pacbell.net