

ISSUE NO.	DATE	AUTH.
1	3-6-63	76219
2	3-7-63	76320
3	10-25-63	76322

10-018

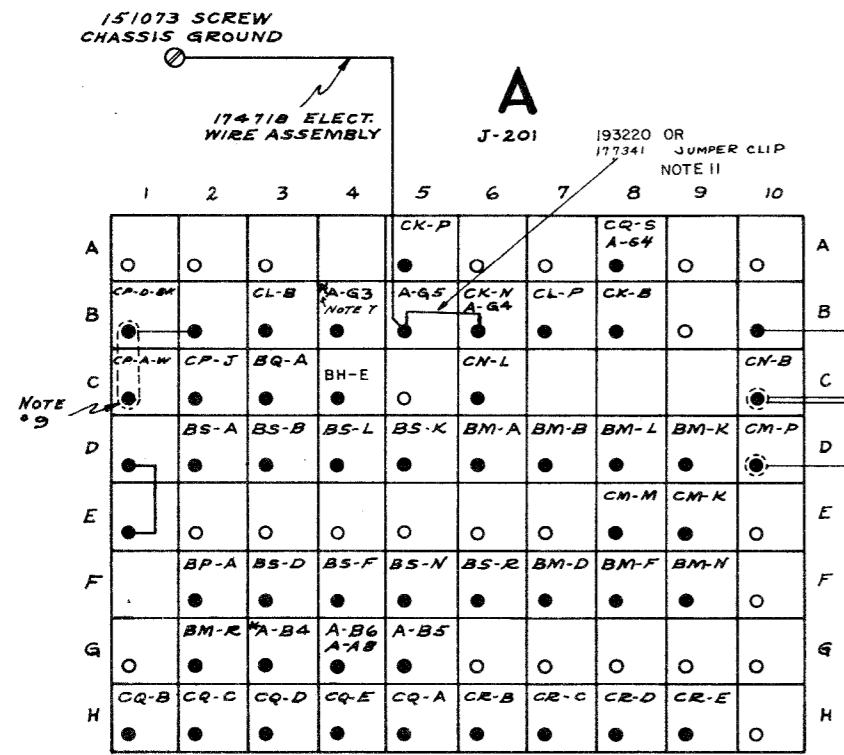
14 X 10 7/8"

R35/1

1. WIRING LEGEND
AA-47-W-BR
WIRE COLOR CODE
DISTANT TERMINATING AREA
2. COLOR CODE
BLACK—BK GREEN—G
BROWN—BR BLUE—BL
RED—R PURPLE—P
ORANGE—O SLATE—S
YELLOW—Y WHITE—W
3. INDICATES SHIELDED WIRE
#24 GAGE
4. USE SLEEVING TO INSULATE WHERE NECESSARY
5. FOR SURFACE WIRING USE #24 GAGE TYPE 37849M GREEN WIRE EXCEPT WHERE COLOR CODED WIRE IS NOTED.
6. USE #24 GAGE STRAPPING WIRE RM39603 TO WIRE ADJACENT TERMINALS AND LONG STRAIGHT RUNS.
7. USE 18 GAGE WIRE
8. FOR SCHEMATIC WIRING DIAGRAM REFER TO 5917 WD
9. INDICATES TWO CONDUCTOR SHIELDED WIRE RM3181P
10. RUBOUT DELETE FOR TYPE 2, 5 LEVEL OPERATION, OMIT LEAD 10. TYPE 1, 5 LEVEL OPERATION IS IDENTICAL TO TYPE 2, 6, 7 & 8 LEVEL OPERATION
11. JUMPER CLIP 177341 REPLACED BY 193220

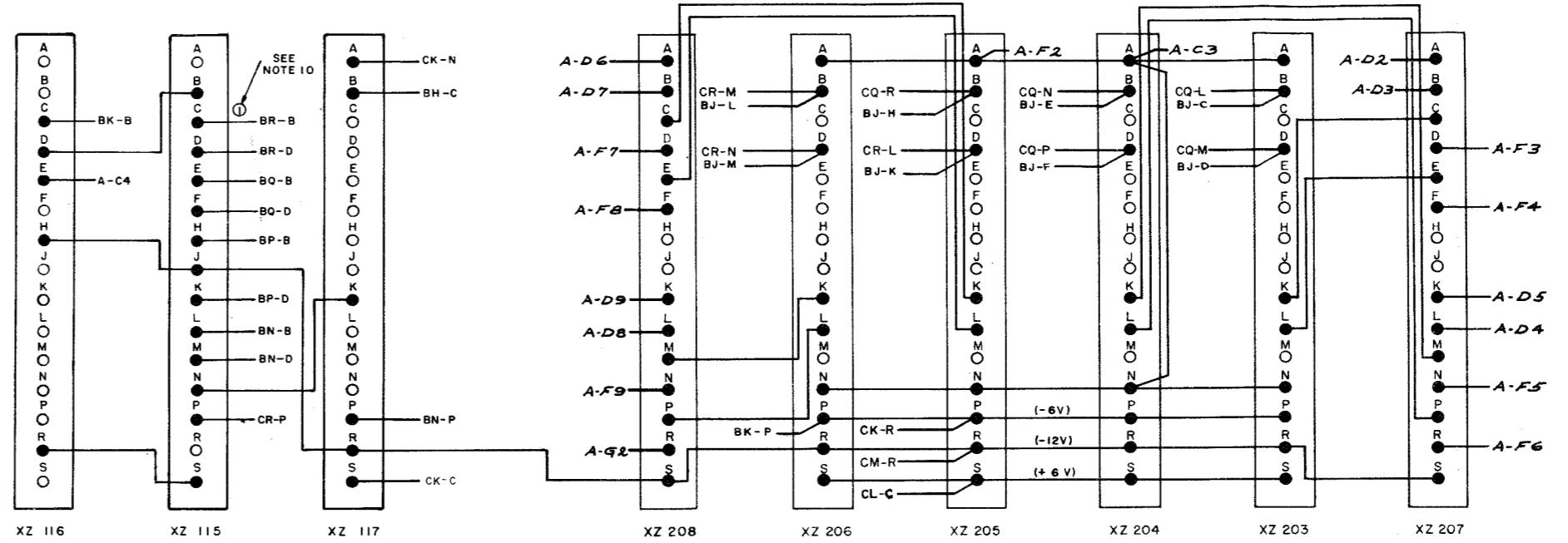
RTTY ELECTRONICS
TELETYPE=Sales-Service-Parts
PO Box 20101 El Sobrante, Ca.
94820. (510)222-3102
rtty_rtty@pacbell.net

REAR PLATE

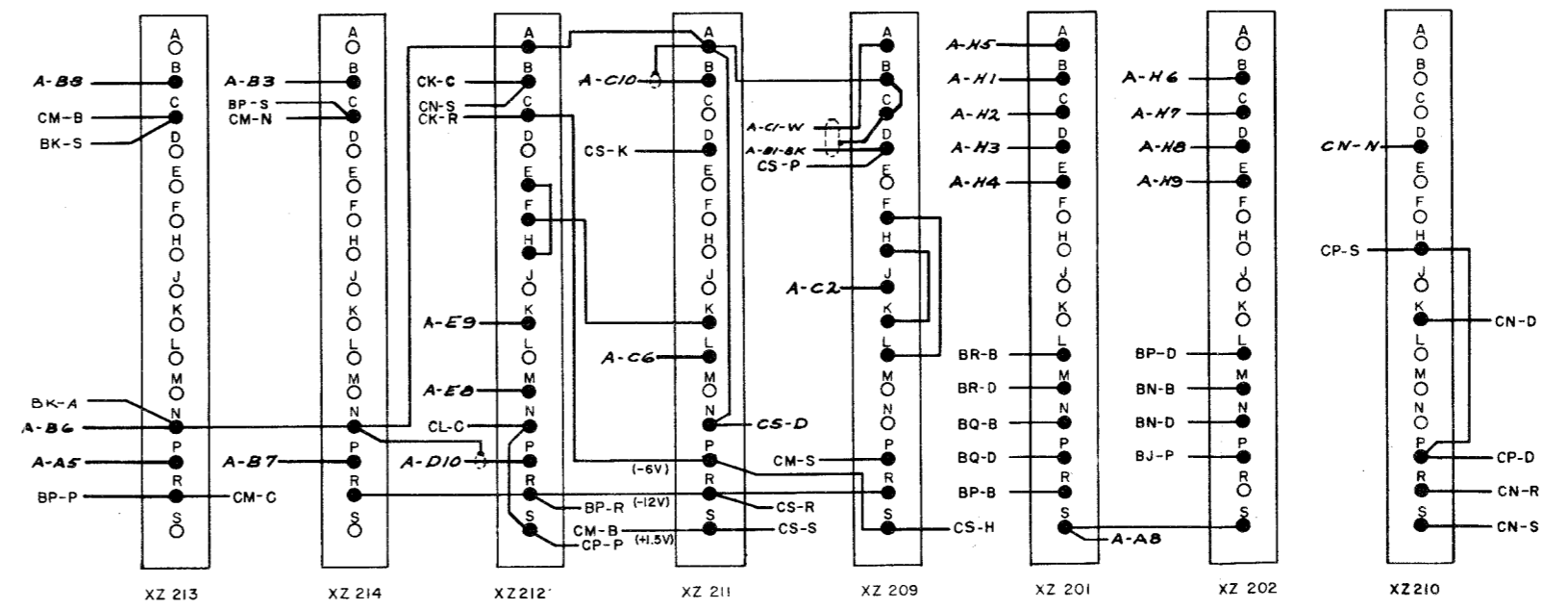


MODULE WIRING DIAGRAM

BA BB BC BD BE BF BG BH BJ BK BL BM BN BP BQ BR BS



CA CB CC CD CE CF CG CH CJ CK CL CM CN CP CQ CR CS



TERMINAL SIDE VIEW

FRONT

APPROVALS	
D AND R	E OF M
E-NUMBER	
PROD. NO. 5916 WD	
ACTUAL WIRING DIAGRAM FOR HIGH SPEED TRANSMITTING SIGNAL CONVERTER W/ RUBOUT DELETE TTSC 501, 801	
DATE: 10-26-62	PD. FILE NO. 11-13-62
DRAWN: JPS	CHECK: JPS
ENDD: EHP	APPD: JPS
TELETYPE CORP.	
5916WD	