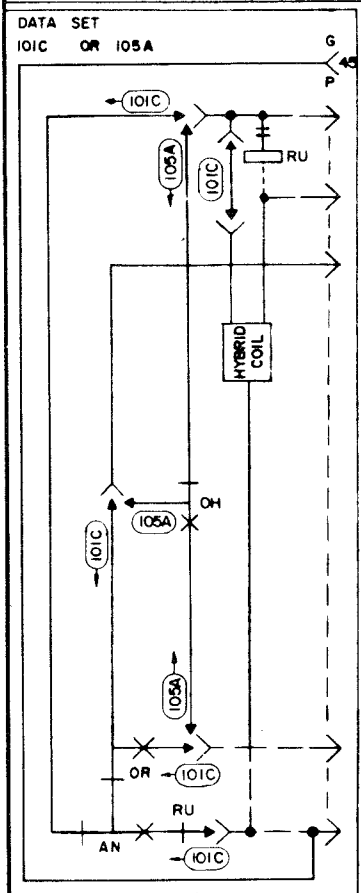
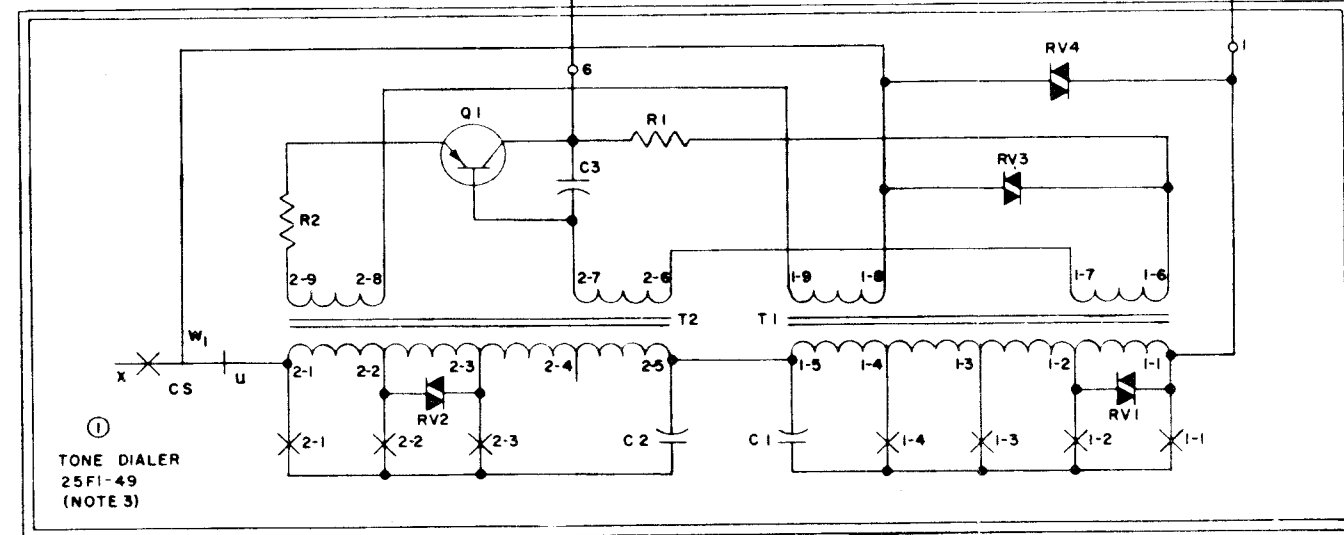
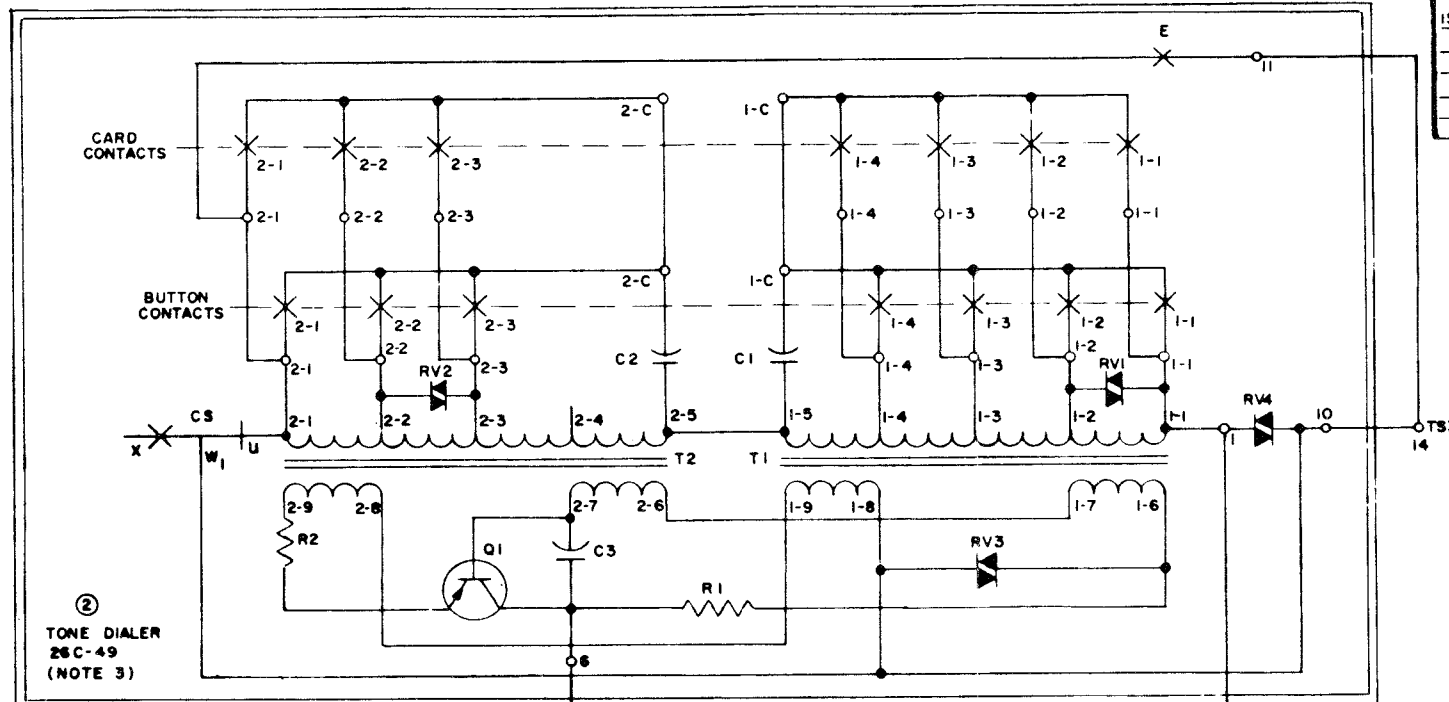


(1,2,11) FS-3
TONE DIALING

ISSUE	DATE	AUTH NO.



(3,4,12) FS-2
PULSE DIALING



SHEET NOTES:

- INDICATES COMMON RETURN TO THE POWER SUPPLY-NOT RELATED TO CHASSIS POTENTIAL.
- A SINGLE TOUCH TONE PUSH BUTTON OR CARD CAUSES THE OPERATION OF ONE CONTACT FROM EACH OF CONTACT SETS (1-1, & 2-1).
EXAMPLE: BUTTON NO. 7 OPERATES CONTACTS 1-3, & 2-1.

TONE DIALER NO.	BSP	PULSE DIALER NO.	BSP
25F1-49	C18.006	8G	C18.005.00 C18.005.01
26C-49		41A	C18.009

MODEL 33
WADS "C"
B
DIAL TWX
PRINTER SETS

APPROVALS
D AND R E OF M

E-NUMBER
PROD NO 5918WD-B1

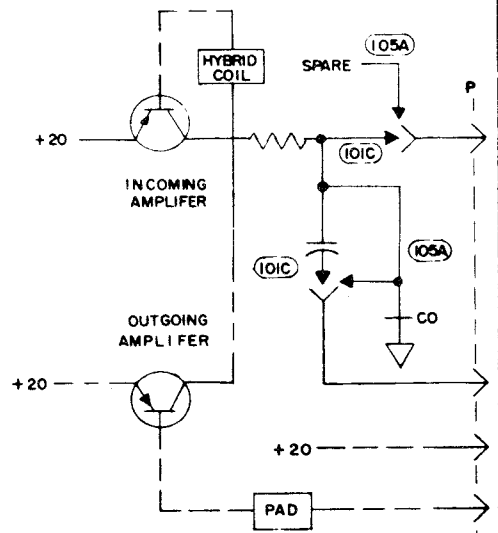
DATE:
P.D FILE NO. G-A152/154 AA
DRAWN P.K. CHKD. *[Signature]*
ENGD. P.R.S. APPD. *[Signature]*

TELETYPE CORPORATION

5918WD-B1

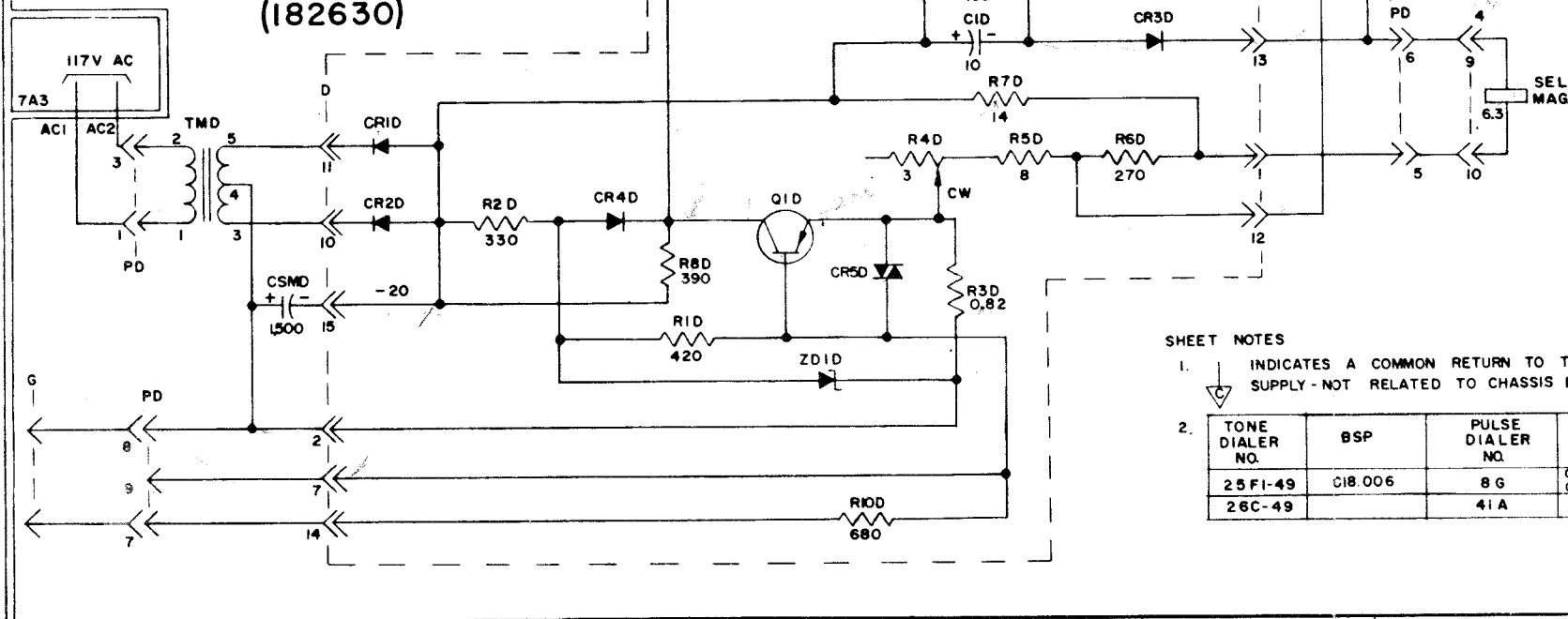
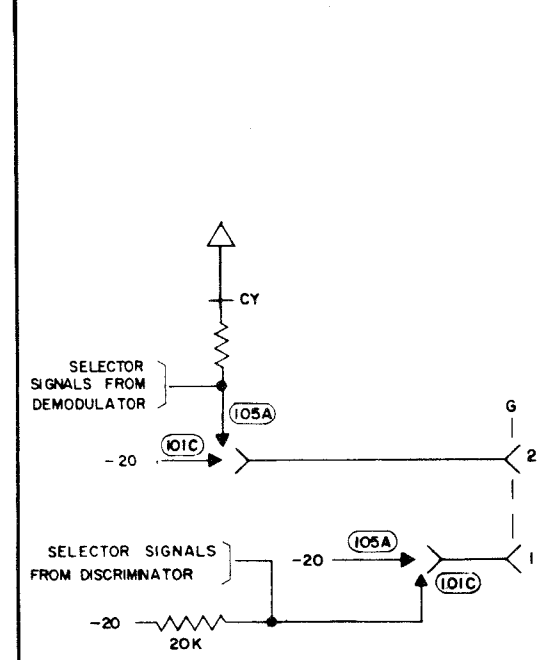
FS-4
AMPLIFIER

DATA SET
101C OR 105A



TO DIAL TONE DETECTOR IN
105A DATA SET
M-33 PRINTER SET IS NOT
EQUIPPED WITH A DIAL TONE
INDICATOR.

FS-5
CONSTANT CURRENT
SELECTOR MAGNET DRIVER
(182630)



SHEET NOTES
1. INDICATES A COMMON RETURN TO THE POWER SUPPLY - NOT RELATED TO CHASSIS POTENTIAL.

2.	TS3	BSP	PULSE DIALER NO.	BSP
25 F1-49		C18.006	8 G	C18.005.00 C18.005.01
26 C-49			41 A	C18.009

ISSUE	DATE	AUTH NO

MODEL 33
WADS "C"
DIAL TWX
PRINTER SETS

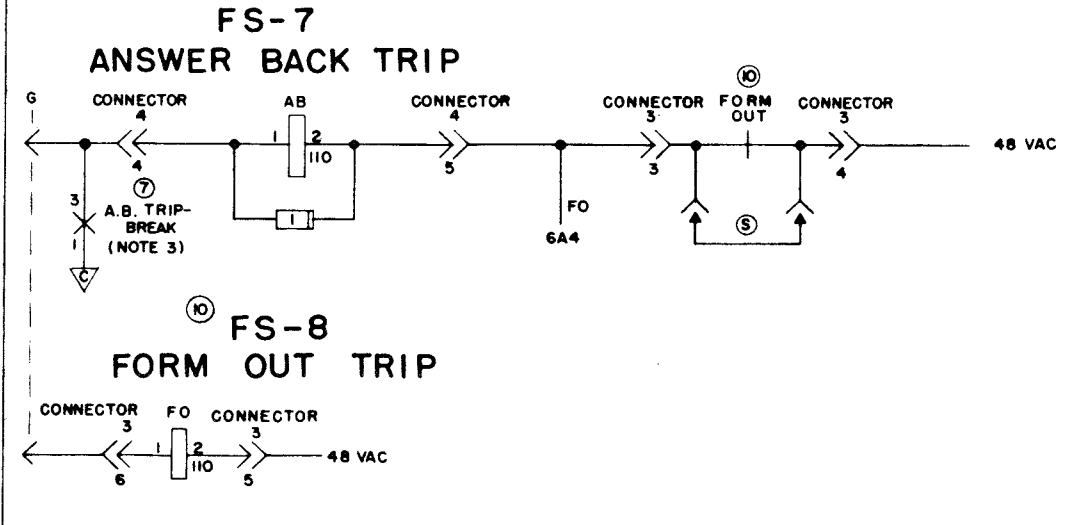
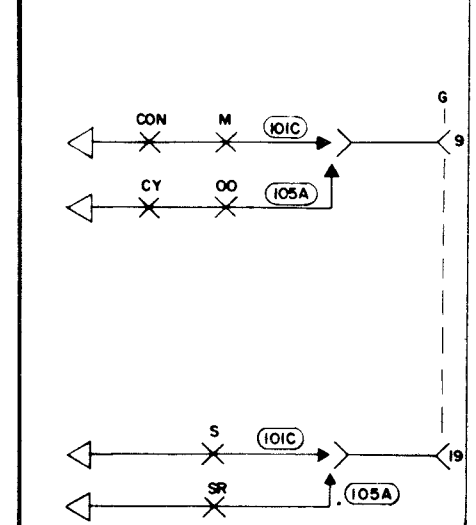
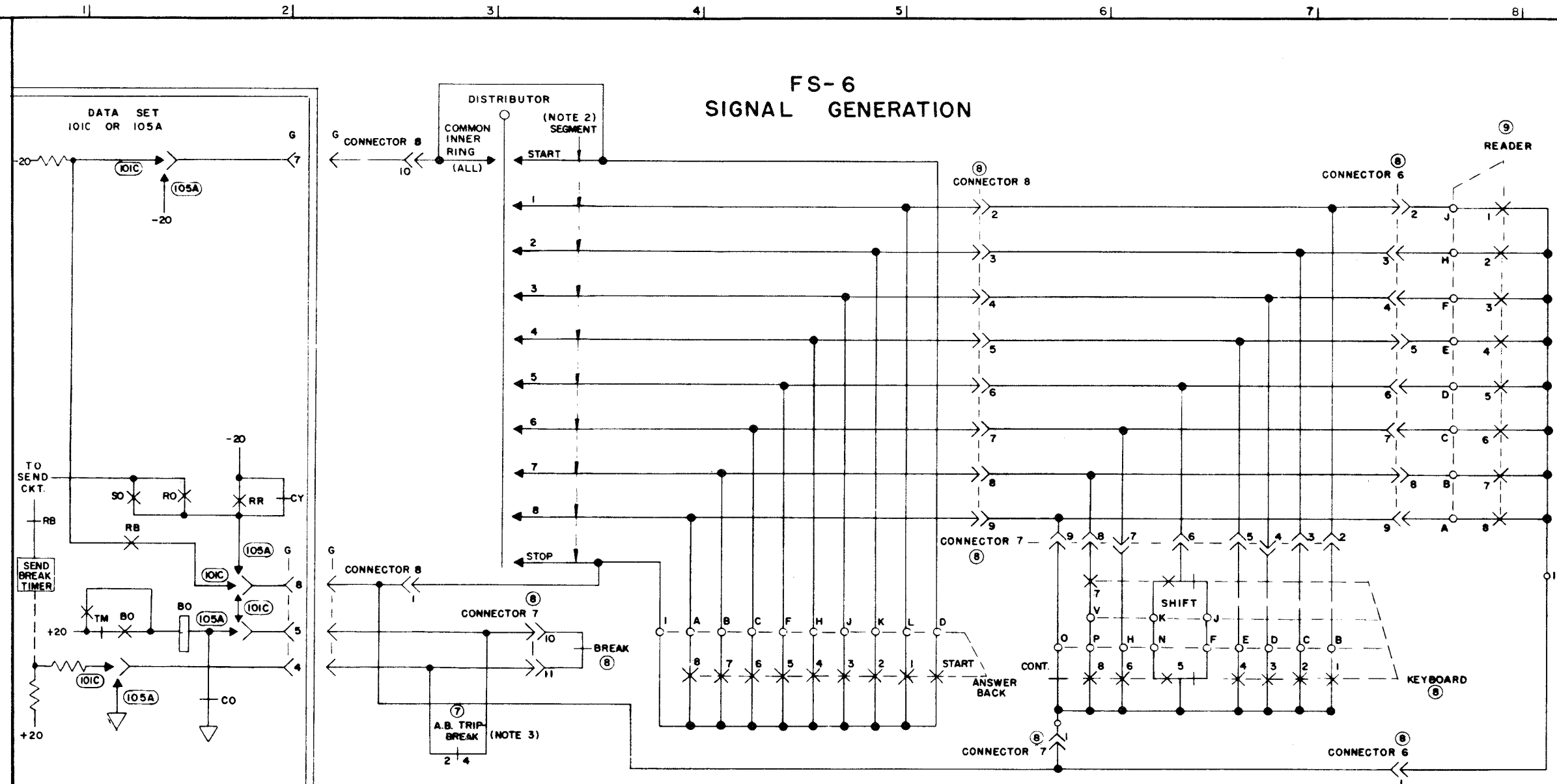
APPROVALS
D AND R E OF M

E-NUMBER
PROD NO. 5918WD-B2

DATE:
P.D FILE NO. G-A 152/154 AA
DRAWN P.K. CHKD
ENGD P.R.S. APPD

TELETYPE
CORPORATION

5918WD-B2



- SHEET NOTES:
1. ∇ INDICATES COMMON RETURN TO THE POWER SUPPLY-NOT RELATED TO CHASSIS POTENTIAL.
 2. DISTRIBUTOR HOME POSITION IS ON THE STOP SEGMENT.
 3. A.B. TRIP-BREAK IS A THREE POSITION ROCKER SWITCH. "BREAK" OPERATION OPENS THE 2-4 CONTACTS. "A.B. TRIP" OPERATION CLOSSES THE 1-3 CONTACTS.

ISSUE	DATE	AUTH. NO.

MODEL 33
WADS "C"
DIAL TWX
PRINTER SETS

APPROVALS
D AND R E OF M

E-NUMBER
PROD NO. 5918WD-B3

DATE: 6-23-62

P.D. FILE NO. G-A152/154A

DRAWN L. A. CHKD. *[Signature]*

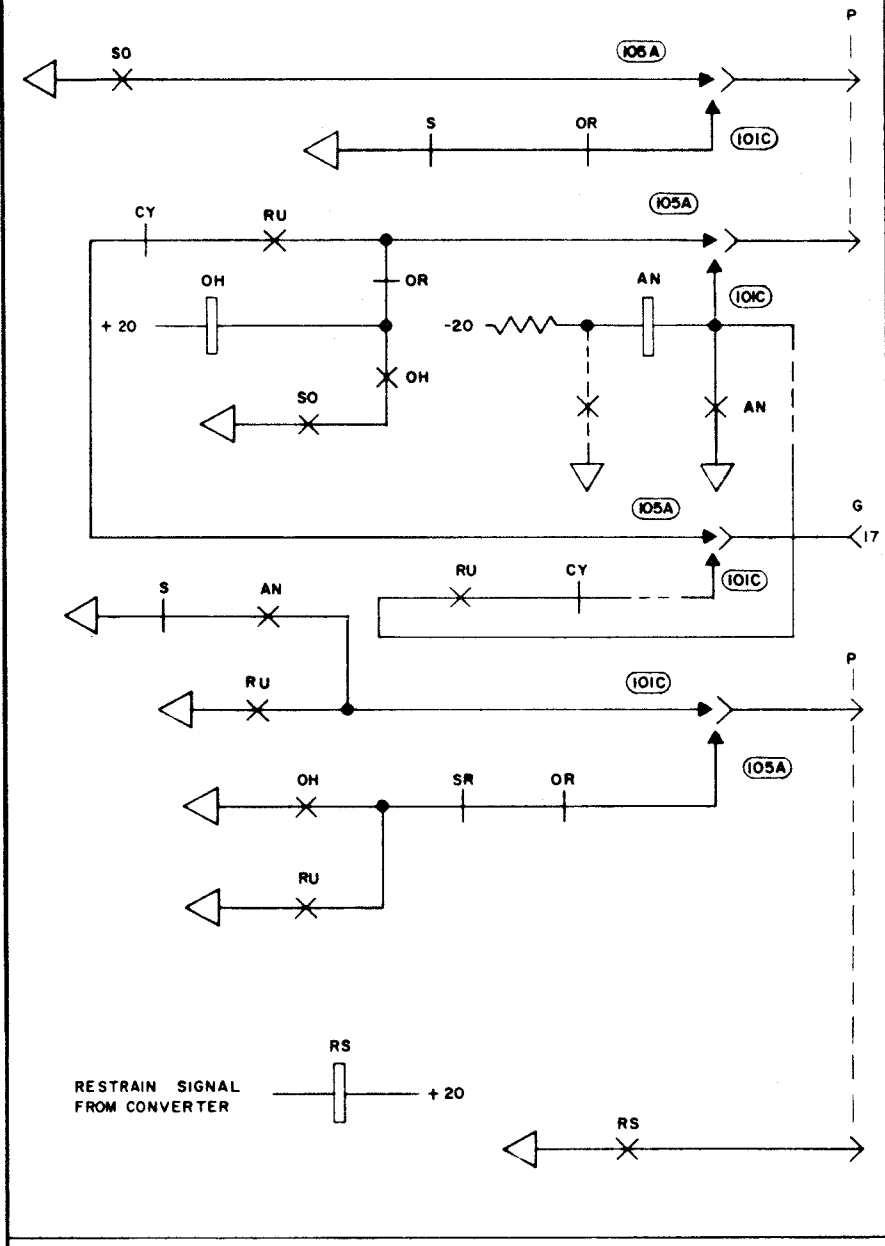
ENGD. P.R.S. APPD. *[Signature]*

TELETYPE CORPORATION

5918WD-B3

FS-9 ANSWER

DATA SET
101C OR 105A



SHEET NOTES:

- 1. INDICATES COMMON RETURN TO THE POWER SUPPLY-NOT RELATED TO CHASSIS POTENTIAL.

FS-II TEST

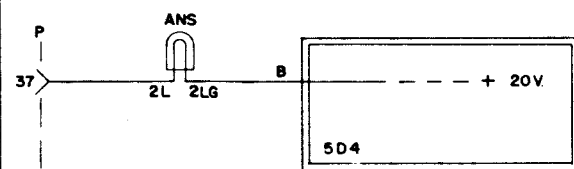
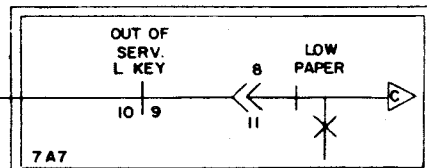
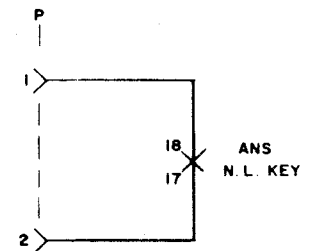
DATA SET
101C OR 105A

NORMAL SOURCE
OF SENDING SIGNALS

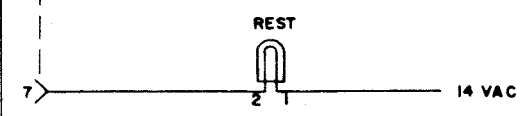
TO SENDING
CIRCUIT

RECEIVED SIGNALS
TAPPED OFF FOR
TEST PURPOSES

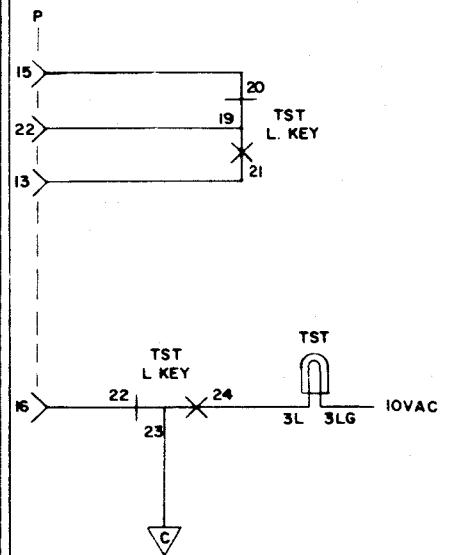
GROUND LEAD
FOR TIMER CIRCUITS



FS-10 RESTRAIN



ISSUE	DATE	AUTH. NO.



MODEL 33
WADS "C"
&
DIAL TWX
PRINTER SETS

APPROVALS

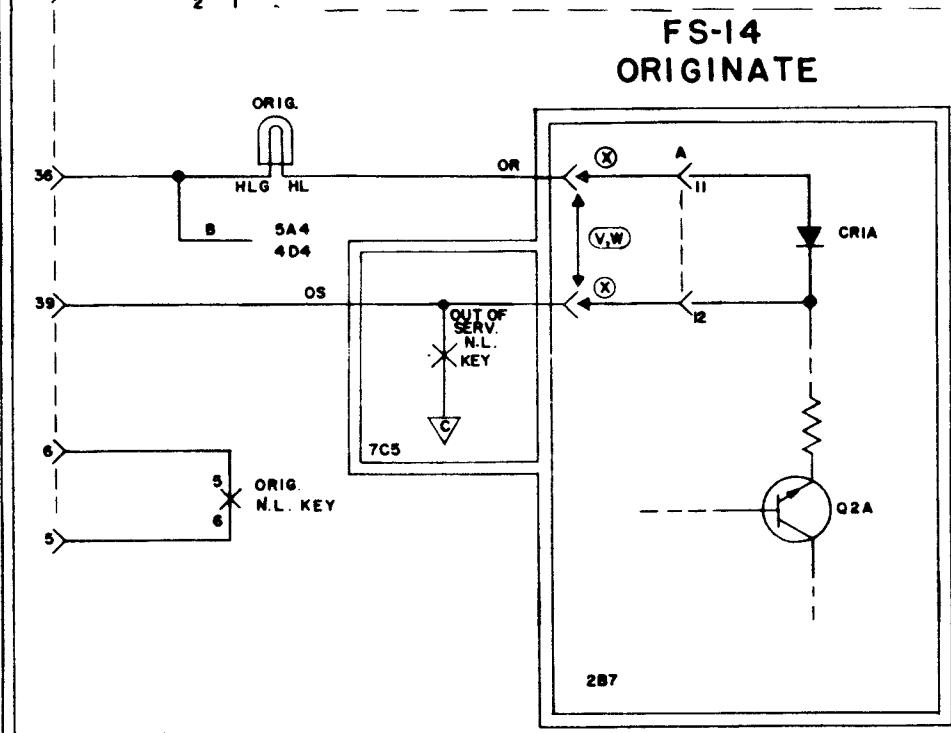
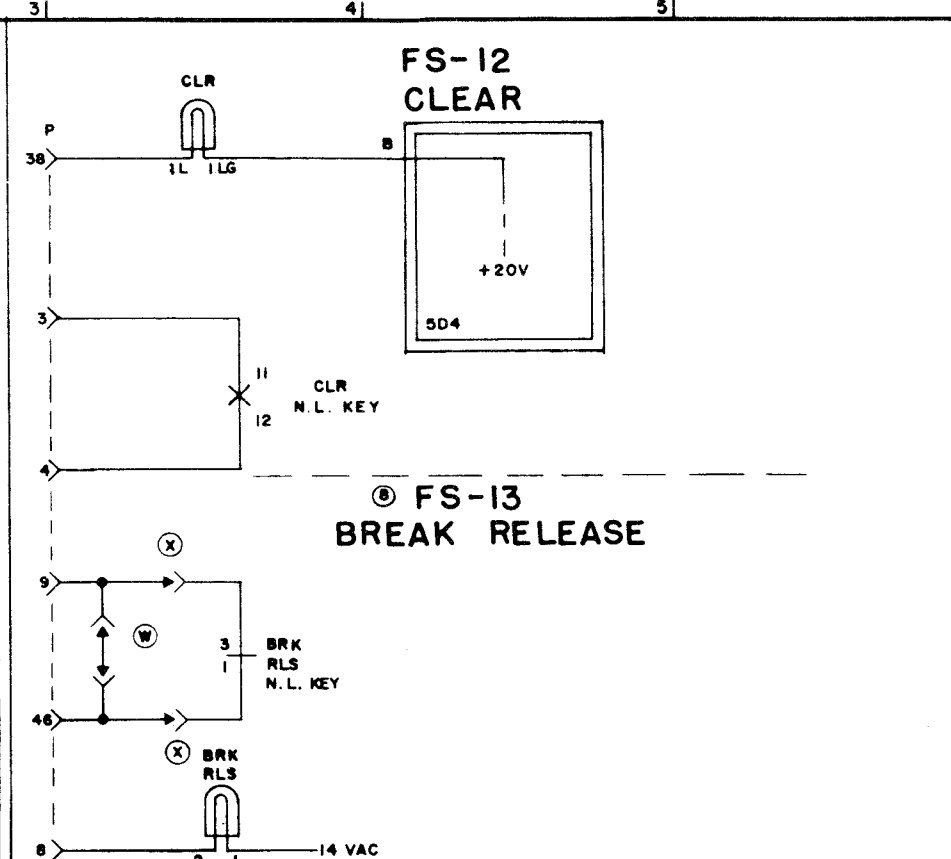
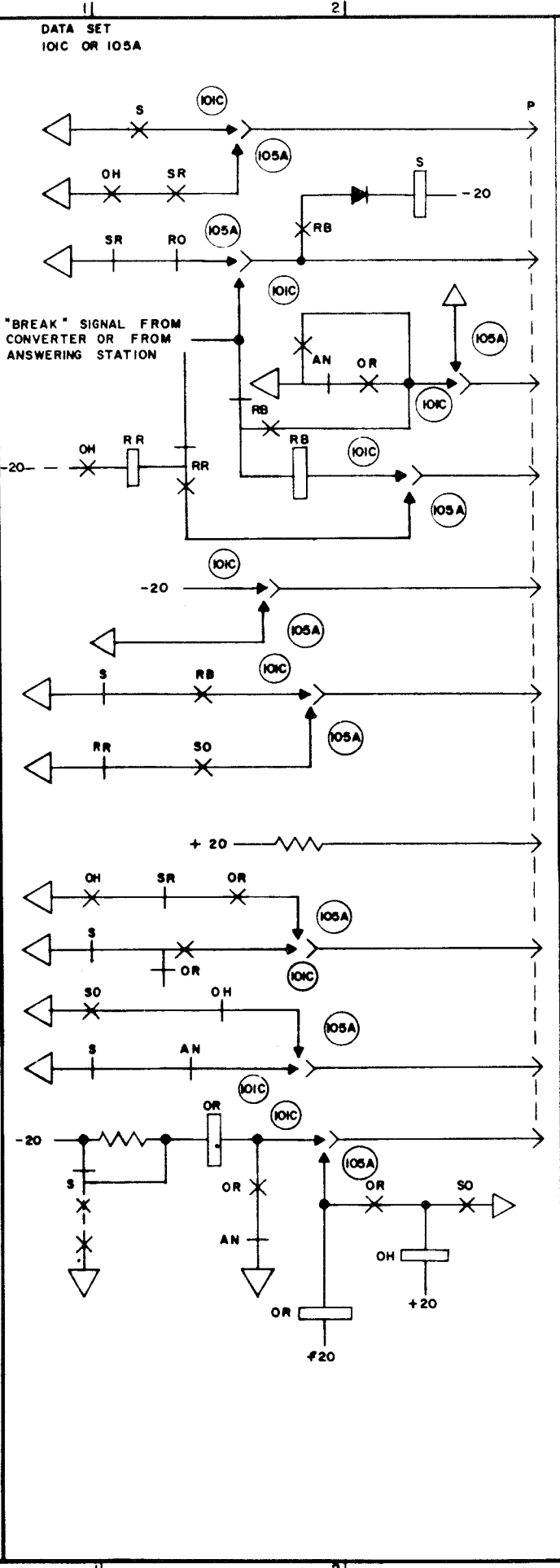
D AND R	E OF M
---------	--------

E-NUMBER
PROD NO 5918W-B4

DATE:
P.D FILE NO. G-A152/154AA
DRAWN R.E.L. CHKD *[Signature]*
ENGD. P.R.S. APPD. *[Signature]*

TELETYPE
CORPORATION

5918WD-B4



SHEET NOTES
I. INDICATES A COMMON RETURN TO THE POWER SUPPLY-NOT RELATED TO CHASSIS POTENTIAL.

ISSUE	DATE	AUTH. NO.

MODEL 33
WADS "C"
DIAL TWX
PRINTER SETS

APPROVALS
D AND R E OF M

E-NUMBER
PROD. NO. 5918WD-B5

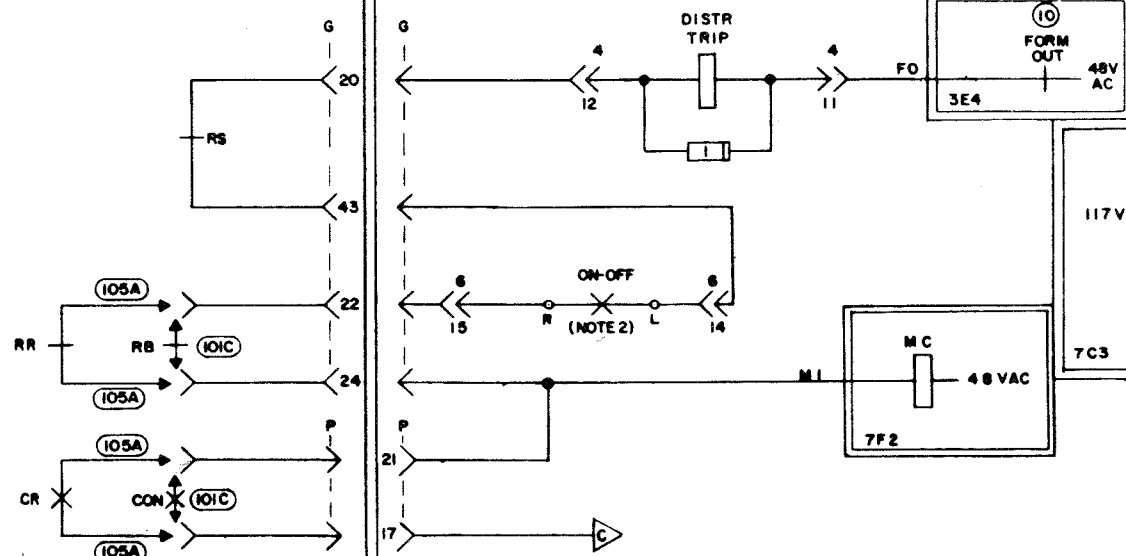
DATE:
P.D. FILE NO. G-A152/154AA
DRAWN R.E.L. CHKD. *[Signature]*
ENGD. P.R.S. APPD. *[Signature]*

TELETYPE
CORPORATION

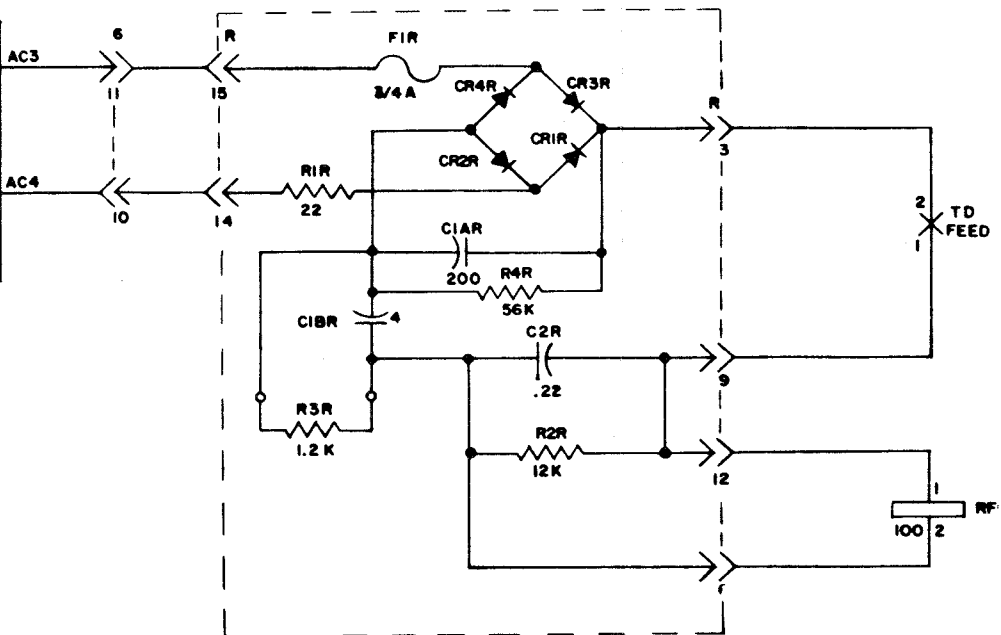
5918WD-B5

DATA SET
101C OR 105A

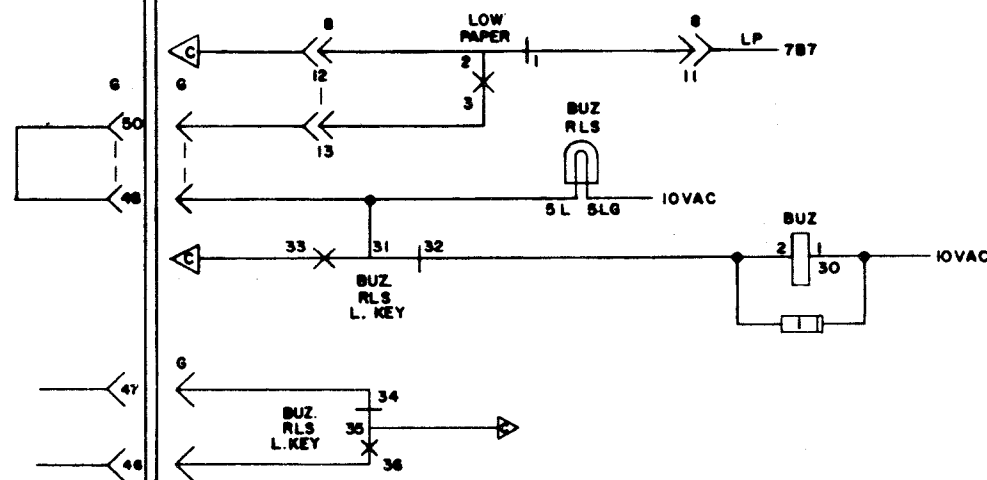
FS-15 READER CONTROL



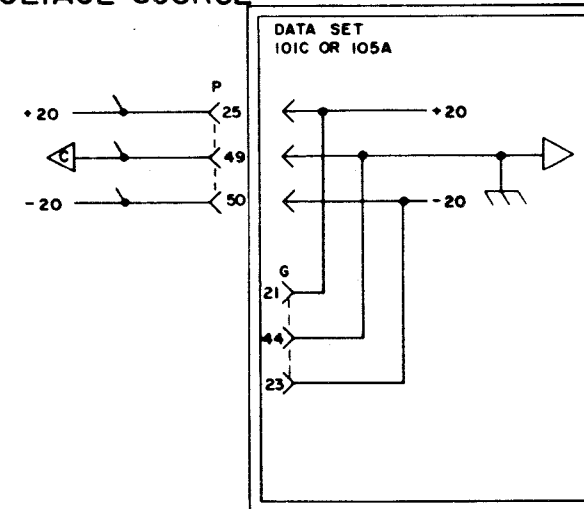
FS-16 READER POWER PACK



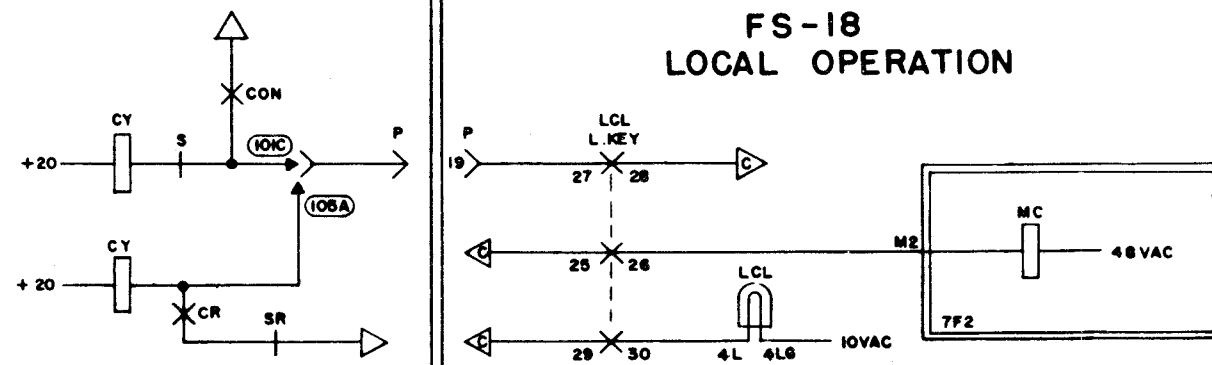
FS-17 LOW PAPER



FS-23 VOLTAGE SOURCE



FS-18 LOCAL OPERATION



SHEET NOTES:

- INDICATES COMMON RETURN TO THE POWER SUPPLY-NOT RELATED TO CHASSIS POTENTIAL.
- ON-OFF CONTACT IS OPERATED BY:
 - A. ON-OFF SWITCH
 - B. TAPE OUT LEVER.
 - C. TIGHT TAPE LEVER.

ISSUE	DATE	AUTH. NO.

**MODEL 33
WADS "C"
&
DIAL TWX
PRINTER SETS**

APPROVALS

D AND R	E OF M
---------	--------

E-NUMBER
PROD. NO. 5918WD-B6

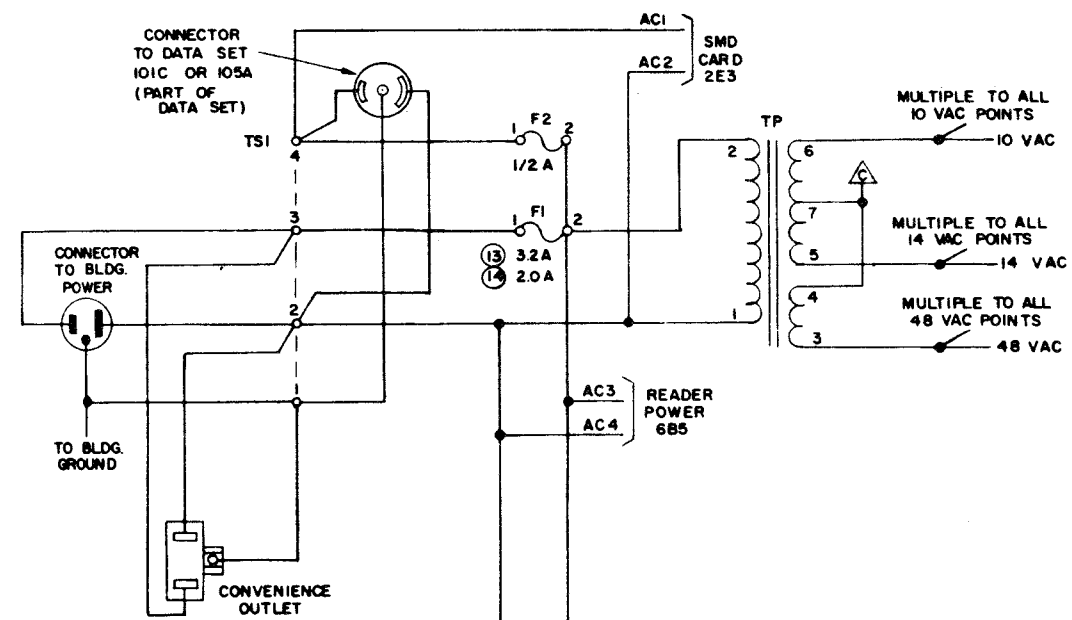
DATE:
P.D. FILE NO. G-A152/154AA

DRAWN P.K.	CHKD. [Signature]
ENGD. P.R.S.	APPD. [Signature]

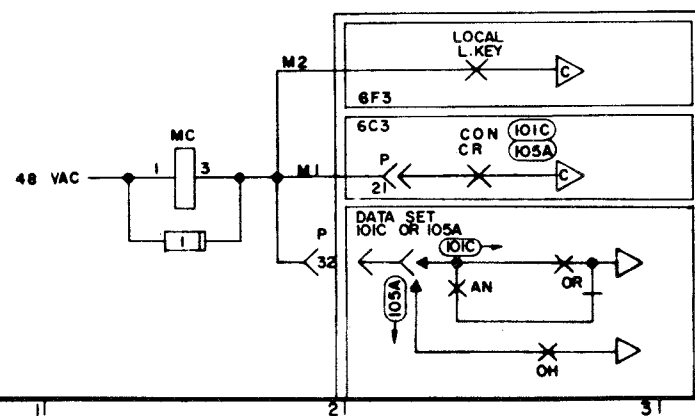
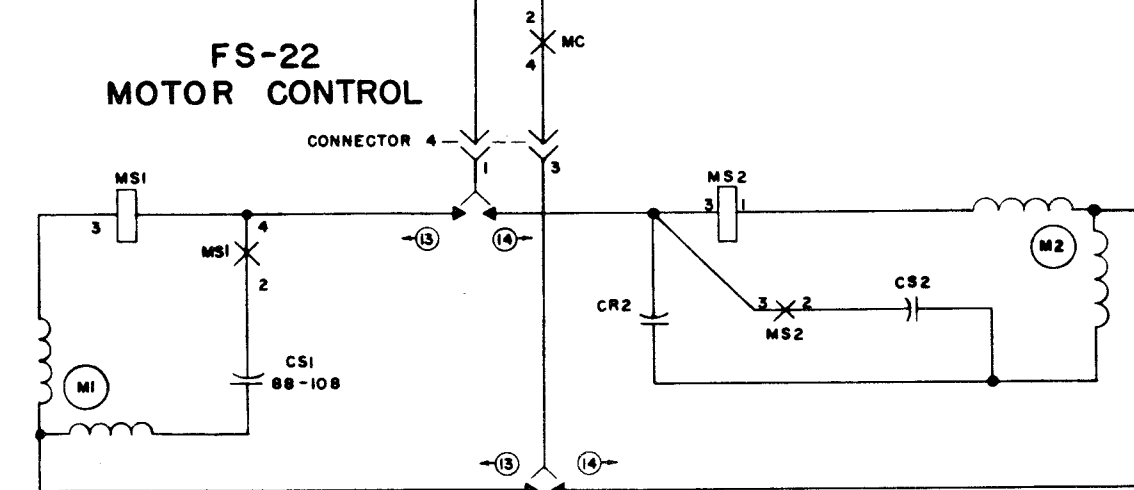
TELETYPE CORPORATION

5918WD-B6

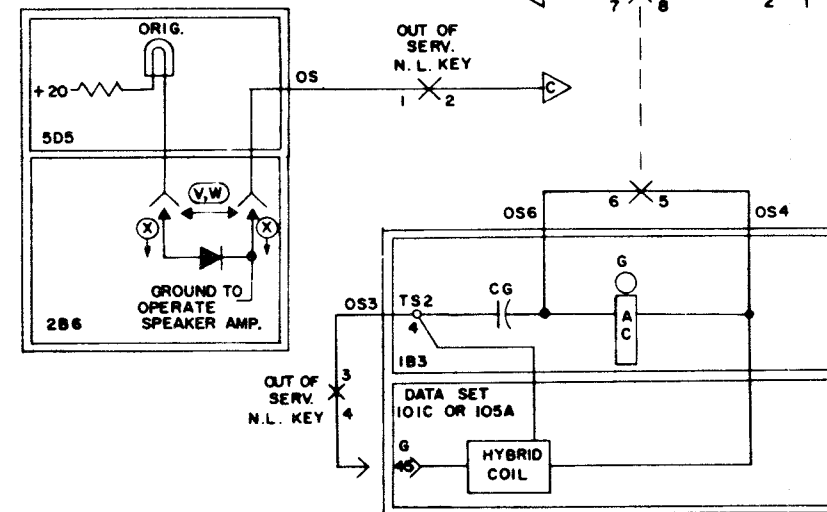
FS-21 POWER CONVERSION AND DISTRIBUTION



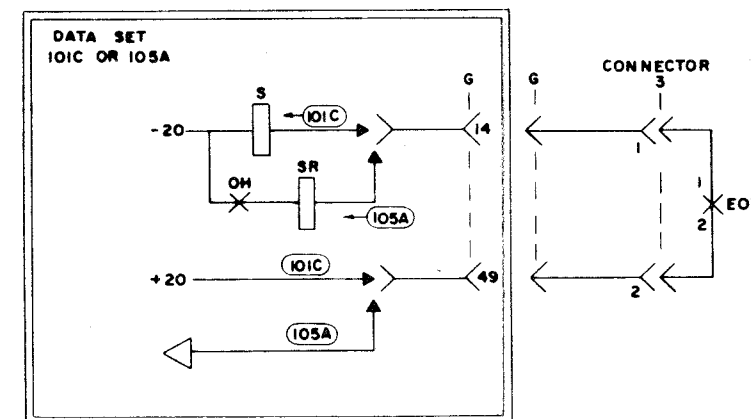
FS-22 MOTOR CONTROL



FS-19 OUT OF SERVICE

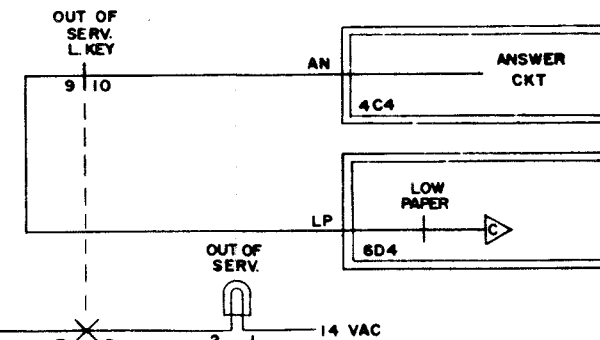


FS-20 END OF TRANSMISSION



SHEET NOTES:

- INDICATES COMMON RETURN TO THE POWER SUPPLY-NOT RELATED TO CHASSIS POTENTIAL.
- OUT OF SERVICE IS A THREE POSITION TWIST UNIT. NORMAL - AS SHOWN
LOCKING - CCW TWIST FROM NORMAL
NON LOCKING - CW TWIST FROM NORMAL



ISSUE	DATE	AUTH. NO.

MODEL 33
WADS "C"
DIAL TWX
PRINTER SETS

APPROVALS

D AND R E OF M

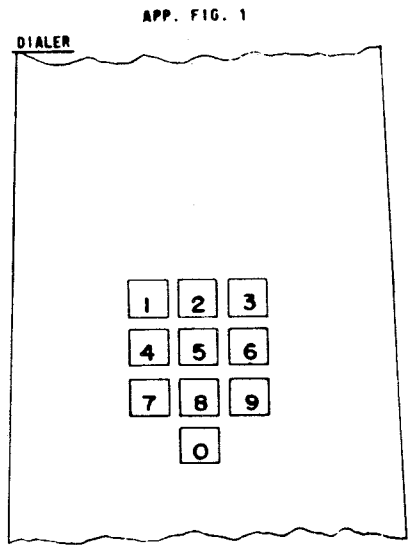
E-NUMBER
PROD. NO. 5918 WD-B7

DATE:
P.D. FILE NO. 8-A152/154 AA

DRAWN P.K. CHKD
ENGD P.R.S. APPD.

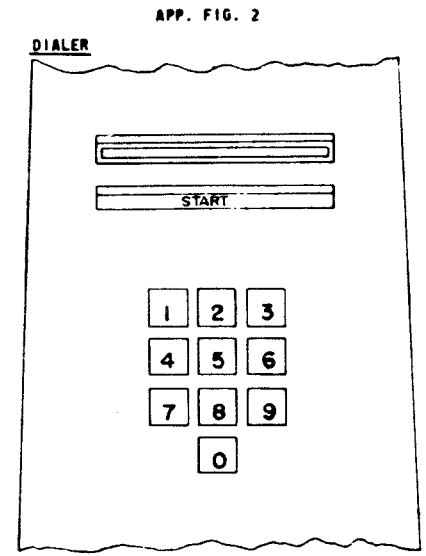
TELETYPE
CORPORATION

5918 WD-B7



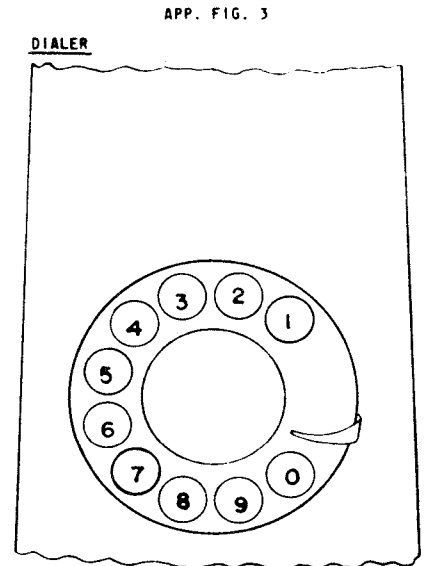
DESIG. TONE DIALER 25F1-49
OPTION 1
CODE WECO 25F1-49
WECO A DWGS.
579027
579092
TELETYPE PART NO.
102620

DESIG.	LOC.
P	2D3
Q	2D3
S	2D3
T	2D3
W ₂	2C3
V	2C3
Y	2A5
Z	2A5
U	1F4
W ₁	1F4
X	1F4
REMAINDER	1F4-8



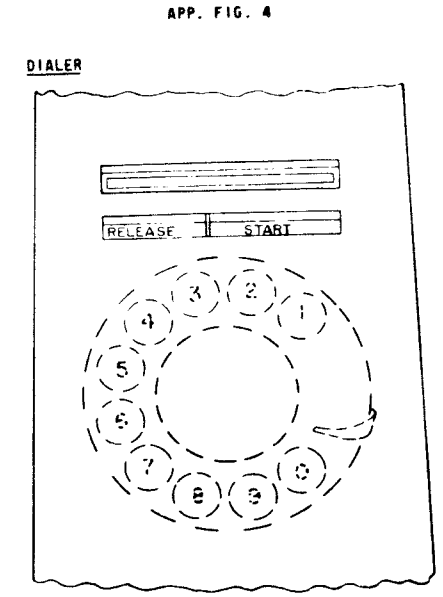
DESIG. TONE DIALER 26C-49
OPTION 2
CODE WECO 26C-49
WECO A DWGS.
579081-4
TELETYPE NO.
102621

DESIG.	LOC.
P	2D3
Q	2D3
S	2D3
T	2D3
W ₂	2C3
V	2C3
Y	2A5
Z	2A5
U	1C4
W ₁	1C4
X	1C4
REMAINDER	1C4 8



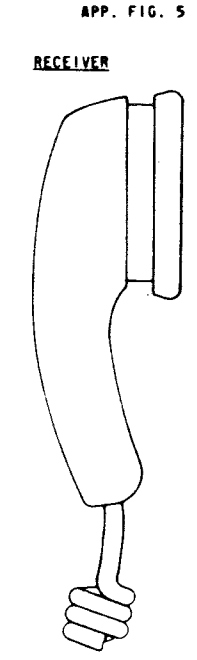
DESIG. 8G PULSE DIALER
OPTION 3
CODE WECO 8G
WECO A DWG.
579298
TELETYPE NO.
102500

DESIG.	LOC.
D PLS	1D3
D O.N.	2C8



DESIG. 41A PULSE DIALER
OPTION 3,4
CODE WECO 41A
WECO A DWG.
579298
TELETYPE NO.
102622

DESIG.	LOC.
O.N.	2C8
REMAINDER	1E3



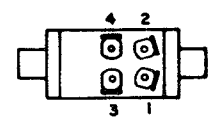
DESIG. - REC
LOC. - 2D7
OPTION 5
PART NO. 182662
WECO CODE
731A61

ISSUE	DATE	AUTH NO

APP. FIG. 7
SPECIAL APPARATUS
FOR RO

SWITCH
DESIG. A.B. TRIP - BREAK
PART NO. 102795

TERM	LOC
1	3E2
2	3D3
3	3E2
4	3D3



APP. FIG. 11

ITEM	DESIG.	VALUE	PART NO.	LOC	OPTION
RESISTOR	RT	200	102789	1D7	1,2
POTENTIOMETER	PT	50K	102686	1D7	
CAPACITOR	CT	0.25	102799	1D6	

APP. FIG. 12

FILTER
DESIG. F
LOC. 1D3
OPTION 3,4
TELETYPE NO.
102532

APP. FIG. 10

PART NO.	DESIG.	LOC.
	MAG. COIL	3F3

PART NO.	DESIG.	LOC.
	CONTACT F.O.	3E4

MODEL 33
WADS "C"
DIAL TWX
PRINTER SETS

APPROVALS

D AND R E OF M

E-NUMBER
PROD NO. 5918 WD-C1

DATE

P D FILE NO. 0-A152/154AA

DRAWN C.M.B. CHKD. *[Signature]*

ENGR. C.C.L. APPD. *[Signature]*

TELETYPE
CORPORATION

5918 WD-C1

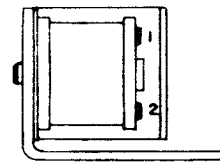
PART OF
APP. FIG. 6

ANSWER BACK

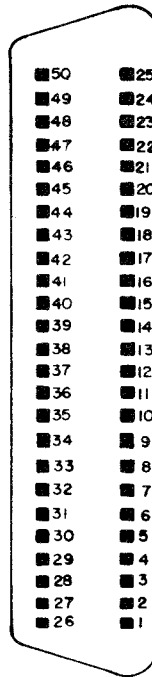
DESIG.	LOC.
START	3D5
1	3D5
2	3D5
3	3D5
4	3D5
5	3D4
6	3D4
7	3D4
8	3D4
AB	3E3

BUZZER

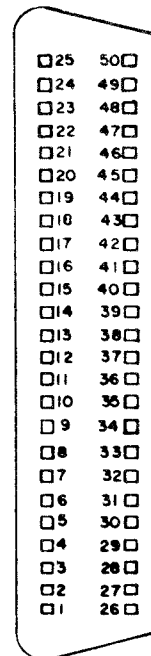
PART NO 182718



DESIG - BUZ
LOC - 6D4



PART NO
182732



PART NO
182733

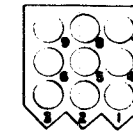
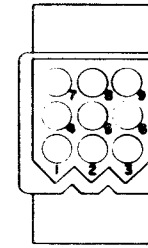
DESIG.	G	P
PART NO.	182732	182733
TERM.	LOC.	LOC.
1	2F2	4B4
2	2F2	4B4
3	SPARE	5B3
4	3D2	5B3
5	3D2	5E3
6	SPARE	5E3
7	3A2	4E4
8	3D2	5C3
9	3E2	5C3
10		
11	SPARE	
12	SPARE	
13		4C7
14	7E7	
15		4B7
16		4C7
17	4C4	6C2
18		
19	3F2	6F2
20	6A2	1D2
21		6C2
22	6B2	4B7
23		1D2
24	6B2	2D2
25		2D2
26		1D2
27		1D2
28	SPARE	
29		2D2
30		2C2
31		2B2
32		7F2
33		1B2
34		1B2
35		1B2
36		5D3
37		4D4
38		5A3
39		5D3
40		
41		1E5
42		2D2
43	6B2	SPARE
44		1B2
45	1A2	
46		5C3
47		2D2
48	6D2	SPARE
49	7E7	
50	6D2	

CONNECTOR

DESIG.	3	4
PART NO.		
TERM.	LOC.	LOC.
1	7E7	7E2
2	7E7	
3	3E4	7E3
4	3E5	3E2
5	3F3	3E4
6	3F2	
7		
8		
9		2E7
10		2E7
11		6A4
12		6A3
13		
14		
15		

CAPACITOR

DESIG.	LOC.	PART NO.	VALUE
CID	2E6	182628	10
CG	12B	182761	0.5
CSMD	2F3	182501	1500



PART NO.	182716	182645
MTG.	CHASSIS	CABLE

TERMINAL NUMBERING AS
VIEWED FROM TERMINAL END

TERMINALS ARE INDIVIDUALLY
INSERTED AND MAY BE EITHER
MALE OR FEMALE

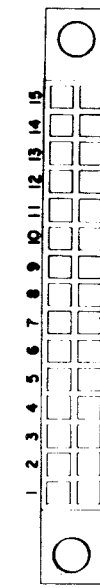
INSERT	PART NO.
MALE	182643
FEMALE	182644

CONNECTOR

DESIG.	PD	
PART NO.		
TERM.	LOC.	LOC.
1	2E3	
2		
3	2E3	
4		
5	2E7	
6	2E7	
7	2F3	
8	2F3	
9	2F3	

CONNECTOR

DESIG.	D	
PART NO.	182536	
TERM.	LOC.	LOC.
1	2E7	
2	2F3	
3	2E7	
4		
5		
6		
7	2F3	
8		
9		
10	2F3	
11	2E3	
12	2E7	
13	2E7	
14	2F3	
15	2F3	



PART NO
182536

PART NO.	182539	182540
MTG.	CHASSIS	CABLE

TERMINAL NUMBERING AS
VIEWED FROM TERMINAL END

TERMINALS ARE INDIVIDUALLY
INSERTED AND MAY BE EITHER
MALE OR FEMALE

INSERT	PART NO.
MALE	182643
FEMALE	182644

ISSUE	DATE	AUTH. NO.

MODEL 33
WADS "C"
DIAL TWX
PRINTER SETS

APPROVALS	
D AND R	E OF M

E-NUMBER
PROD NO 5918 WD-C2

DATE:		
P.D. FILE NO.	G-A152/154 AA	
DRAWN	CG	CHKD. <i>[Signature]</i>
ENGD	C.C.L.	APPD. <i>[Signature]</i>

TELETYPE
CORPORATION

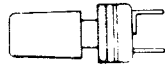
5918WD-C2

PART OF
APP. FIG. 6

DIODE

DESIG.	LOC.	PART NO.
CR1D	2E4	182520
CR2D	2F4	182520
CR3D	2E6	181619
CR4D	2E4	181619
CR5D	2F5	178844
ZD1D	2F5	182774

LAMP HOLDER
182658
(FOR 182659 LAMP)

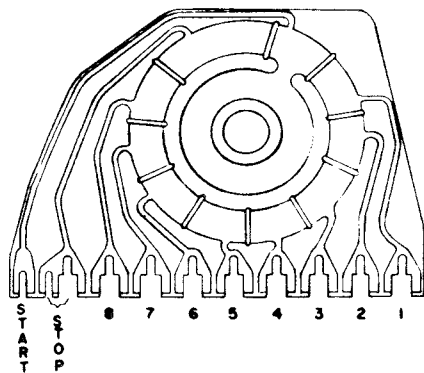
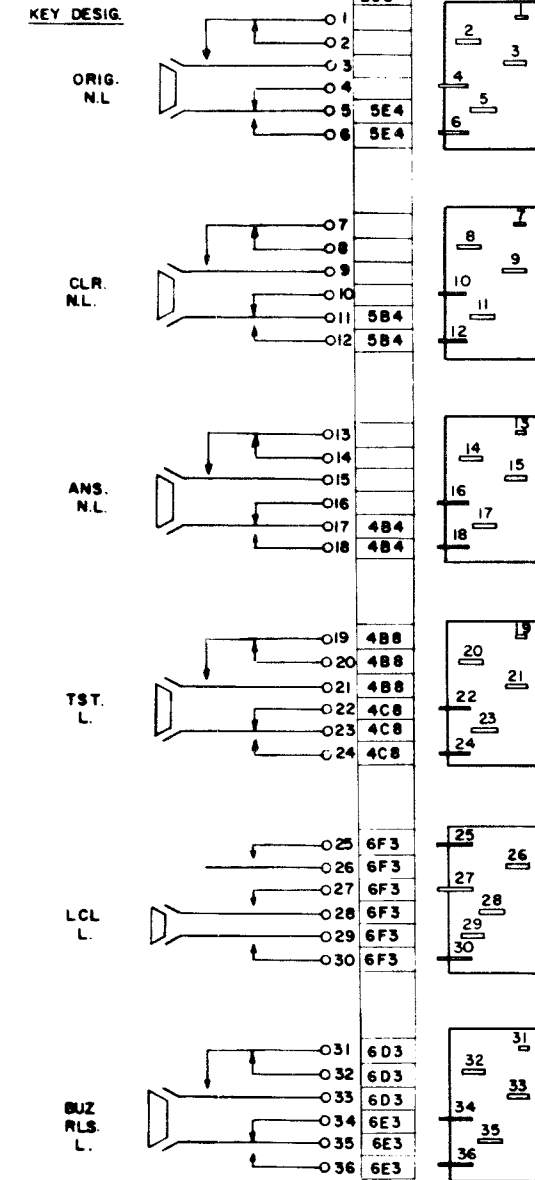


LAMP

DESIG.	LOC.	PART NO.
ANS	4D4	182529
BRK RLS	5C4	182659
BUZ RLS	6D3	182529
CLR	5A4	182529
LCL	6F3	182529
ORIG	5D4	182529
OUT OF SERV	7B7	182659
TST	4C8	182529

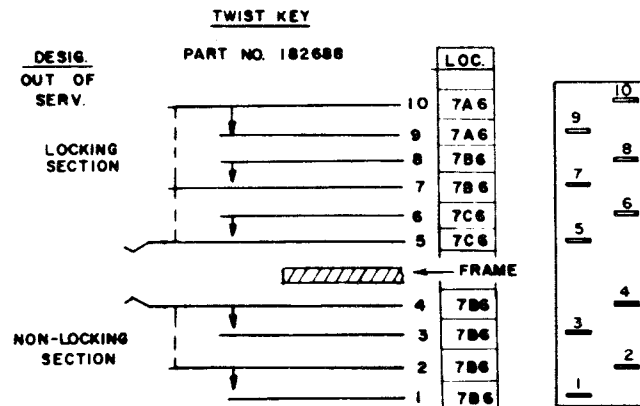
SWITCH ASSEMBLY

PART NO. 182582

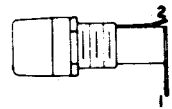


DISTRIBUTOR

DESIG.	LOC.
ALL	3A3
STOP	3C3
START	3A3
1	3A3
2	3B3
3	3B3
4	3B3
5	3C3
6	3C3
7	3C3
8	3C3



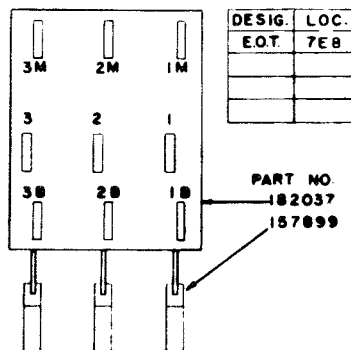
FUSE HOLDER
182661



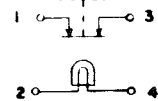
FUSE

DESIG.	LOC.	PART NO.	VALUE
F2	7B3	126296	1/2 A

FUNCTION BOX CONTACTS

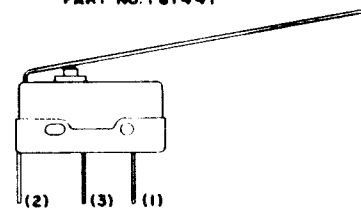


NON-LOCKING KEY
DESIG. - BRK RLS
LOC. - 5C4
PART NO. 182660



SWITCH

DESIG. - LOW PAPER
LOC. - 6D3
PART NO. 181441



MAGNET COIL

PART NO.	DESIG.	LOC.
180715	SEL MAG	2E8
272M	AB	3E3

ISSUE	DATE	AUTH NO.

MODEL 33
WADS "C"
DIAL TWX
PRINTER SETS

APPROVALS

D AND R	E OF M
---------	--------

E-NUMBER

PROD. NO 5918 WD-C3

DATE:

P.D. FILE NO. G-A152/154AA

DRAWN CG CHKD. *[Signature]*

ENGD. C.C.L. APPD. *[Signature]*

TELETYPE
CORPORATION

5918 WD-C3

ISSUE	DATE	AUTH. NO.

NETWORK

DESIG.	LOC.	PART NO.
AB	3E3	153631
BUZ	6D4	153621
M C	7F1	178535

TRANSFORMER

DESIG.	LOC.	PART NO.
TMD	2E3	182722
TP	7B3	182657

TRANSISTOR

DESIG.	LOC.	PART NO.
Q1D	2F5	181671
Q2D	2E7	182675

RELAY

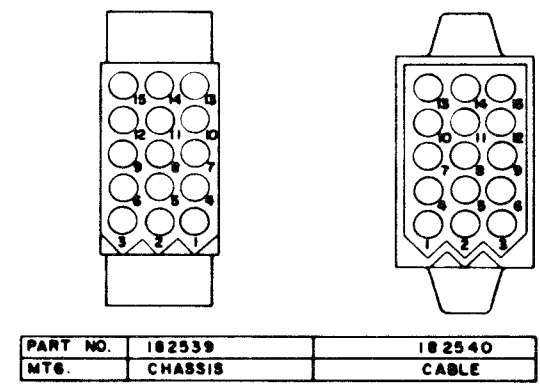
DESIG.	MC	MS
CONT	7D3	7E2
COIL	7F1	7E1
PART NO.	182669	181877

RESISTOR

DESIG.	LOC.	PART NO.	VALUE
R1D	2F5	182779	420
R2D	2F4	181669	330
R3D	2F6	182778	0.02
R4D	2E5	182775	2
R5D	2E6	182771	8
R6D	2E6	182770	270
R7D	2E6	182772	14
R8D	2F5	182627	390
R9D	2E6	182776	150
R10D	2F5	182777	680

TERMINAL STRIP

DESIG.	TS-1	TS-2	TS-3
PART NO.	151411	151415	182717
TERM.	LOC.	LOC.	LOC.
1	7B2	1B3	2D2
2	7B2	1B2	2D2
3	7B2	1B2	2D3
4	7B2	1B2	2D4
5	2D7		2C4
6	2D8		2C3
7	1B2		
8	1B2		1E8
9			1E7
10			a
11			1E6
12			2A4
13			2A5
14			b
15			1D2
16			1D2
17			2C7
18			2D7
			a
			2D3
			1B2
			b
			1C8



TERMINAL NUMBERING AS VIEWED FROM TERMINAL END
TERMINALS ARE INDIVIDUALLY INSERTED AND MAY BE EITHER MALE OR FEMALE

INSERT PART NO.

MALE	182643
FEMALE	182644

CAPACITOR

DESIG.	LOC.	PART NO.	VALUE
C1A	6C6	183078	200
C1B	6C6		4
C2R	6C7	183084	0.22

DIODE

DESIG.	LOC.	PART NO.
CR1R	6B7	181654
CR2R	6B6	181654
CR3R	6B7	181654
CR4R	6B6	181654

MAGNET COIL

DESIG.	LOC.	PART NO.
DISTR TRIP	6A3	272 M
RF	6C8	182139

NETWORK

DESIG.	LOC.
DISTR TRIP	6A3

CONNECTOR

DESIG.	4	6	R
PART NO.	182540	182540	182539
TERM.	LOC.	LOC.	LOC.
1		3E7	
2		3B7	
3		3B7	6B7
4		3B7	
5		3B7	
6		3C7	6C7
7		3C7	
8		3C7	
9		3C7	6C7
10		6B5	
11	6A4	6B5	
12	6A3		6C7
13			
14		6B3	6B6
15		6B3	6B6

CONTACT

DESIG.	LOC.
ON-OFF	6B3
TD FEED	6B8
1	3B8
2	3B8
3	3B8
4	3B8
5	3C8
6	3C8
7	3C8
8	3C8

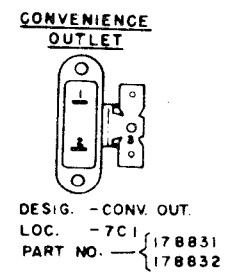
FUSE

DESIG.	LOC.	PART NO.	VALUE
F1R	6B6	143630	3/4 A

RESISTOR

DESIG.	LOC.	PART NO.	VALUE
R1R	6B6	183083	22
R2R	6C7	183082	12 K
R3R	6C6	183081	1.2 K
R4R	6B6	118198	56 K

RINGER
DESIG. - G
LOC. - 1B3
PART NO. 182503



MODEL 33
WADS "C"
DIAL TWX
PRINTER SETS

APPROVALS

D AND R	E OF M
---------	--------

E-NUMBER
PROD NO 5918 WD-C4

DATE:
PD FILE NO. G-A152/154AA
DRAWN C G CHKD. *[Signature]*
ENGD C.C.L. APPD. *[Signature]*

TELETYPE CORPORATION

5918 WD-C4

APP. FIG. 8
SPECIAL APPARATUS FOR KSR & ASR

CAPACITOR

DESIG.	LOC.	PART NO.	VALUE
C1A	2C5	182746	0.5
C2A	2C5	182747	60
C3A	2D5	182747	60
C4A	2C6	182749	0.1
C5A	2B4	182792	1.0
C6A	2C5	182748	100

DIODE

DESIG.	LOC.	PART NO.
CR1A	2B6	182767

KEYBOARD

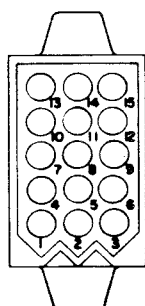
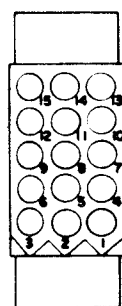
DESIG.	LOC.
SHIFT	3D6
BREAK	3D4
1	3D7
2	3D7
3	3D7
4	3D7
5	3D6
6	3D6
7	3D6
8	3D6
CONT	3D6

LAMP

DESIG.	LOC.	PART NO.
REST	4E4	182659

CONNECTOR

DESIG.	A	6	7	8		
PART NO.	182536	182540	182540	182540		
TERM.	LOC.	LOC.	LOC.	LOC.	LOC.	LOC.
1	2B4	3E7	3E6	3D3		
2	2D6	3B7	3C7	3B5		
3	2C4	3B7	3C7	3B5		
4	2C4	3B7	3C7	3B5		
5	2B4	3C7	3C7	3B5		
6	2C6	3C7	3C6	3C5		
7	2D6	3C7	3C6	3C5		
8		3C7	3C6	3C5		
9		3C7	3C6	3C5		
10	2D4	6B5	3D3	3B3		
11	2B6	6A5	3D3	6D4		
12	2B6			6D3		
13	2D4			6D3		
14	2D4	6B3				
15	2B5	6B2				



PART NO.	182539	182540
MTG.	CHASSIS	CABLE

TERMINAL NUMBERING AS VIEWED FROM TERMINAL END

TERMINALS ARE INDIVIDUALLY INSERTED AND MAY BE EITHER MALE OR FEMALE

INSERT	PART NO.
MALE	182643
FEMALE	182644

TRANSISTOR

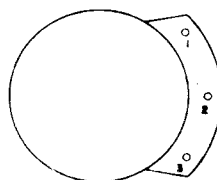
DESIG.	LOC.	PART NO.
Q1A	2C5	182744
Q2A	2C6	182745

RESISTOR

DESIG.	LOC.	PART NO.	VALUE
R1A	2C5	182751	3.6 K
R2A	2B5	182752	43 K
R3A	2B5	129852	2.2 K
R4A	2C5	137603	510
R5A	2B6	182753	130
R6A	2D5	182766	160
R7A	2D6	118186	5.6 K

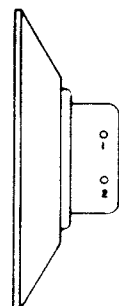
TRANSFORMER

DESIG.	LOC.	PART NO.
T1	2C4	182754
T2	2C6	182755



POTENTIOMETER

DESIG.	LOC.	PART NO.	VALUE
PS	2C7	182683	50



SPEAKER

DESIG. - SPKR
LOC. - 2C7
PART NO. 182682

APP. FIG. 13

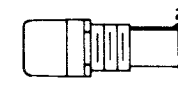
MOTOR
DESIG - M1
LOC - 7E1
PART NO - 181870

RELAY
DESIG - MS1
CONT - 7E2
COIL - 7E1
PART NO - 181877

CAPACITOR
DESIG - CS1
LOC - 7E2
PART NO - 181384
VAL - 88-108

FUSE
DESIG - F1
LOC - 7B2
PART NO - 120167

FUSE HOLDER
182661



APP. FIG. 14

MOTOR
DESIG - M2
LOC - 7E4
PART NO - 181861

RELAY
DESIG - MS2
CONT - 7E3
COIL - 7E5
PART NO - 181869

CAPACITOR

DESIG	LOC	PART NO.	VALUE
CR2	7E3	181387	5
CS2	7E4	181394	47-56

FUSE
DESIG - F1
LOC - 7B2
PART NO - 138538

ISSUE	DATE	AUTH. NO.

MODEL 33
WADS "C"
&
DIAL TWX
PRINTER SETS

APPROVALS

D AND R E OF M

E-NUMBER

PROD. NO 5918WD-C5

DATE: 8-3-62

P.D. FILE NO. G-A152/154AA

DRAWN CHKD BY
ENGD. C.C.L. APPD.

TELETYPE
CORPORATION

5918WD-C5

CIRCUIT NOTES

DESIG.	FUSE AMP	POTENTIAL	TERM DESIG.
		10 VAC	TP-6
		14 VAC	TP-5
		48 VAC	TP-3
F2	1/2A	117 VAC	TS1-4
F1	*	117 VAC	TP-2

10, 14, & 48 VAC ARE FUSED VIA THE F1 FUSE IN THE PRIMARY. POWER SUPPLY COMMON APPEARS ON TRANSFORMER PINS 4 & 7.

COMMERCIAL POWER
117 VOLTS 10%
60 CPS

* 3.2A WHEN USING APP. OPTION (13)
2.0A WHEN USING APP. OPTION (14)

103. NETWORK VALUES

NO.	NETWORK PART NO.	RESISTANCE	CAPACITANCE
		IN OHMS	IN UF
1	153631	470	0.11

EQUIPMENT NOTES

- 201. THE RECEIVE ONLY SET CANNOT BE READILY CONVERTED TO A KSR OR AN ASR SET.
- 202. THE ANSWER BACK DRUM IS TRIPPED OFF BY MECHANICAL LINKAGES FROM THE STUNT BOX OR KEYBOARD.
- 203. THE TAPE READER IS SUPPLIED AS PART OF OF A PACKAGE WHICH INCLUDES THE PUNCH, AND CANNOT BE ADDED WITHOUT THE PUNCH.
- 204. THE PUNCH IS A COMPLETELY MECHANICAL UNIT, DERIVING ITS POWER AND CODING FROM THE PRINTER.

ISSUE	DATE	AUTH NO.

102.

RECEIVE ONLY	FEATURE OR OPTION	MODEL NO.	PROVIDE		QUANTITY	
			APP FIG	APP OR WRG		
RECEIVE ONLY	NO HAND HELD RECEIVER	33B	6,7	V	1 EACH PER SET	
	HAND HELD RECEIVER	33B	5,6,7	W	1 EACH PER SET	
SEND KEYBOARD RECEIVER (KSR)	M. DIALING TOUCH TONE	33A2	1,6,8,11	X,Z	1 EACH PER SET	
	F. DIALING TOUCH TONE WITH CARD DIALER	33A3	2,6,8,11	X,Z	1 EACH PER SET	
	PULSING DIALING	ROTARY	33A1	3,6,8,12	T,X,Y	1 EACH PER SET
		ROTARY PLUS CARD DIALER	33A4	3,4,6,8,12	U,X,Y	1 EACH PER SET
SEND AUTOMATIC RECEIVER (ASR)	M. DIALING TOUCH TONE	33C2	1,6,8,9,12	X,Z	1 EACH PER SET	
	F. DIALING TOUCH TONE WITH CARD DIALER	33C3	2,6,8,9,11	X,Z	1 EACH PER SET	
	PULSING DIALING	ROTARY	33C1	3,6,8,9,12	T,X,Y	1 EACH PER SET
		ROTARY PLUS CARD DIALER	33C4	3,4,6,8,9,12	U,X,Y	1 EACH PER SET
HAND HELD RECEIVER			5			
FORM OUT	REQ'D		10			
	NOT REQ'D			S		

104. RECORD OF APP. FIGS., WIRING AND APP. CHANGES

CHANGED ON ISSUE	IF JOB RECORDS DO NOT SPECIFY	THIS OPTION WAS FURN.	SEE NOTE	USE IN CIRCUIT		
				STD	A & M	MD

APPROVALS

D AND R	E OF M
---------	--------

E-NUMBER

PROD NO. 5918WD-D1

DATE 8-3-62

PD FILE NO. G-A152/154 AA

DRAWN. C.G.

CHKD. *[Signature]*

ENGD. C.G.L.

APPD. *[Signature]*

TELETYPE CORPORATION

5918WD-D1

A
B
C
D
E
F

301. UNLESS OTHERWISE SPECIFIED:
RESISTANCE VALUES ARE IN OHMS, CAPACITANCE
VALUES ARE IN MICROFARADS. VALUES PRECEDED
BY PLUS OR MINUS SYMBOLS ARE IN VOLTS.

302. MODELS 33A1, A2, A3, A4 PRINTER SETS

MODEL 33A 8 LEVER KSR PRINTER SET

182088 PRINTER SET SUB ASSEMBLY
182050 SUB BASE ASSEMBLY
182060 KEYBOARD ASSEMBLY
182000 PRINTER ASSEMBLY
182081 CALL CONTROL UNIT ASSEMBLY
182075 CALL CONTROL UNIT SUB ASSEMBLY
182671 CABLE ASSEMBLY
182038 COVER ASSEMBLY
181132 LID WITH WINDOW
183246 STAND ASSEMBLY
182036 COPYHOLDER ASSEMBLY
101C OR 105A DATA SET

MODEL 33A1 8 LEVEL KSR PRINTER SET WITH ROTARY DIAL

33A 8 LEVEL KSR PRINTER SET
182532 FILTER
182091 DIAL ASSEMBLY ROTARY
181902 BEZEL

MODEL 33A2 8 LEVEL KSR PRINTER SET WITH TOUCH TONE DIAL

33A 8 LEVEL KSR PRINTER SET
182799 CAPACITOR WITH TERMINALS
182092 DIAL ASSEMBLY MANUAL TOUCH TONE
181903 BEZEL

MODEL 33A3 8 LEVEL KSR PRINTER SET WITH TOUCH TONE AND CARD DIALER

33A 8 LEVEL KSR PRINTER SET
182799 CAPACITOR WITH TERMINALS
182090 DIAL TOUCH TONE WITH CARD DIALER
181901 BEZEL

MODEL 33A4 8 LEVEL KSR PRINTER SET WITH DC CARD DIALER

33A 8 LEVEL KSR SET
182532 FILTER
182091 ROTARY DIAL ASSEMBLY
182093 D.C. CARD DIAL ASSEMBLY
181904 BEZEL

303. MODELS 33C1, C2, C3, C4

MODEL 33C 8 LEVEL ASR PRINTER SET

182089 ASR SET SUB ASSEMBLY
182050 SUB BASE ASSEMBLY
182913 BASE COVER
183047 PAN
182145 READER ASSEMBLY
182134 READER POWER PACK
182000 PRINTER ASSEMBLY
182103 PERFORATOR ASSEMBLY
182107 DRIVE ASSEMBLY
182081 CALL CONTROL UNIT ASSEMBLY
182075 CALL CONTROL UNIT SUB ASSEMBLY
182671 CABLE ASSEMBLY
182927 COVER
182926 COVER ASSEMBLY
182109 LID ASSEMBLY
183046 READER COVER
182924 CHAD BOX
101C OR 105A DATA SET

MODEL 33C1 8 LEVEL ASR PRINTER SET WITH ROTARY DIAL

33C 8 LEVEL ASR PRINTER SET
182532 FILTER
182091 DIAL ASSEMBLY, ROTARY
181902 BEZEL

MODEL 33C2 8 LEVEL ASR PRINTER SET WITH TOUCH TONE DIAL

33C 8 LEVEL ASR PRINTER SET
182799 CAPACITOR WITH TERMINALS
182092 DIAL ASSEMBLY, MANUAL TOUCH TONE
181903 BEZEL

MODEL 33C3 8 LEVEL ASR PRINTER SET WITH TOUCH TONE DIAL AND CARD DIALER

33C 8 LEVEL ASR PRINTER SET
182799 CAPACITOR WITH TERMINALS
182090 DIAL ASSEMBLY WITH TOUCH TONE CARD DIALER
181901 BEZEL

MODEL 33C4 8 LEVEL ASR PRINTER SET WITH DC CARD DIALER

33C 8 LEVEL ASR SET
182532 FILTER
182091 ROTARY DIAL ASSEMBLY
182093 D.C. CARD DIAL ASSEMBLY
181904 BEZEL

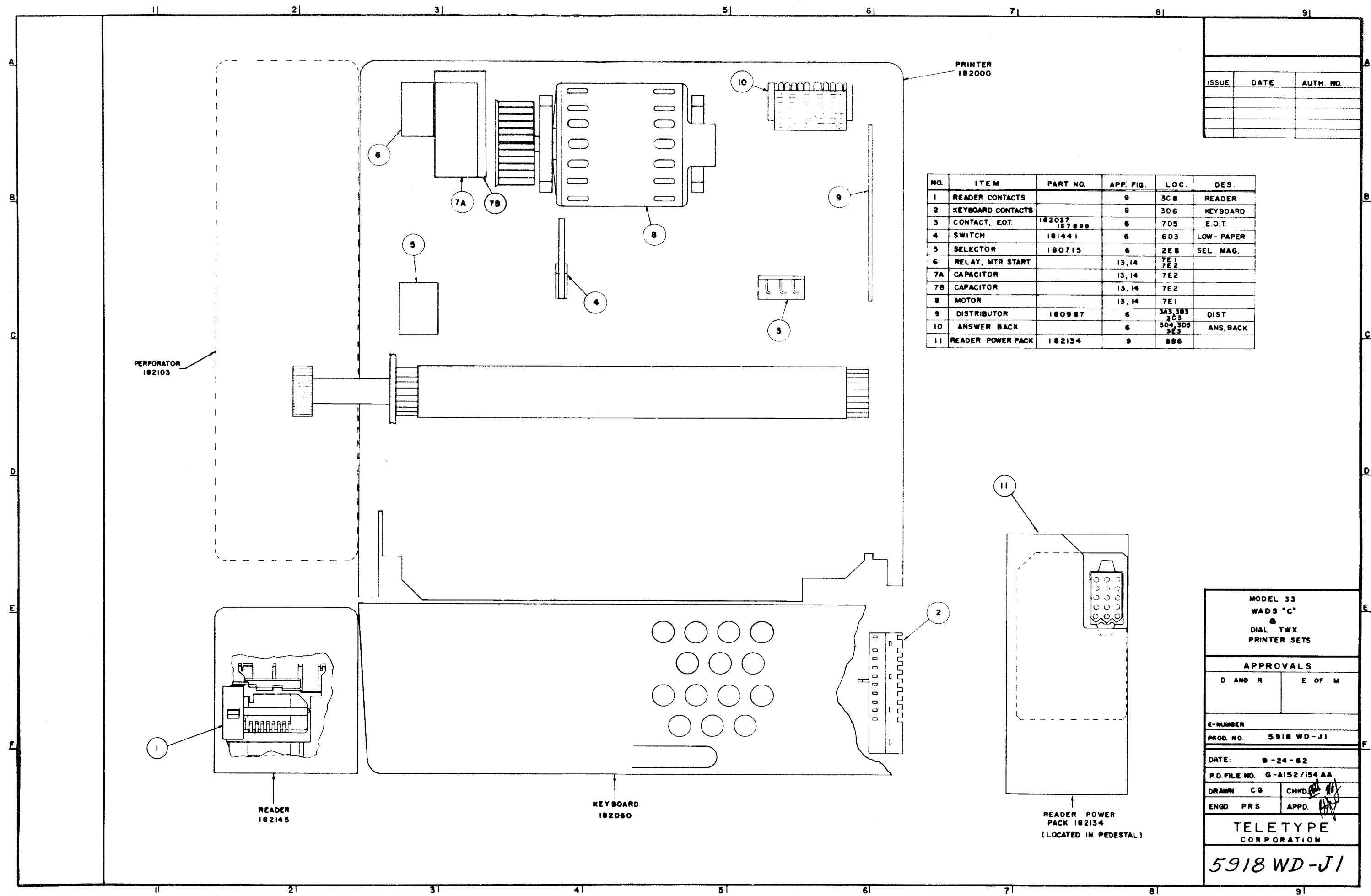
304. MODEL 33B PRINTER SET

MODEL 33B 8 LEVEL R.O. PRINTER SET

182050 SUB BASE ASSEMBLY
182000 PRINTER ASSEMBLY
182083 CALL CONTROL UNIT, RECEIVE ONLY
182076 CALL CONTROL UNIT, SUB ASSEMBLY
182680 CABLE ASSEMBLY
182038 COVER ASSEMBLY
181132 LID WITH WINDOW
183246 STAND ASSEMBLY
182036 COPYHOLDER ASSEMBLY
101C OR 105A DATA SET

ISSUE	DATE	AUTH. NO.

MODEL 33 WADS "C" & DIAL TWX PRINTER SET	
APPROVALS	
D AND R	E OF M
E-NUMBER	
PROD. NO. 5918 WD- D2	
DATE: 8-10-62	
P.D. FILE NO. G-A152/154AA	
DRAWN F.C.S.	CHKD. <i>[Signature]</i>
ENGD. P.R.S.	APPD. <i>[Signature]</i>
TELETYPE CORPORATION	
5918 WD-D2	



ISSUE	DATE	AUTH. NO.

NO.	ITEM	PART NO.	APP. FIG.	LOC.	DES.
1	READER CONTACTS		9	3C8	READER
2	KEYBOARD CONTACTS		8	3D6	KEYBOARD
3	CONTACT, EOT	182037 157899	6	7D5	E.O.T.
4	SWITCH	181441	6	6D3	LOW-PAPER
5	SELECTOR	180715	6	2E8	SEL. MAG.
6	RELAY, MTR. START		13, 14	7E1 7E2	
7A	CAPACITOR		13, 14	7E2	
7B	CAPACITOR		13, 14	7E2	
8	MOTOR		13, 14	7E1	
9	DISTRIBUTOR	180987	6	3A3, 3B3 3C3	DIST
10	ANSWER BACK		6	3D4, 3D5 3E3	ANS. BACK
11	READER POWER PACK	182134	9	6B6	

MODEL 33
WADS "C"
DIAL TWX
PRINTER SETS

APPROVALS

D AND R	E OF M
---------	--------

E-NUMBER

PROD. NO. 5918 WD-J1

DATE: 9-24-62

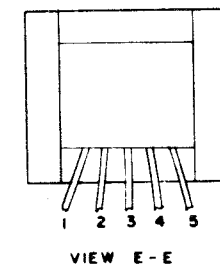
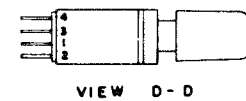
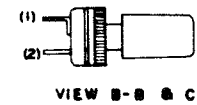
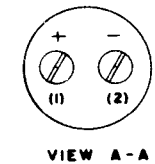
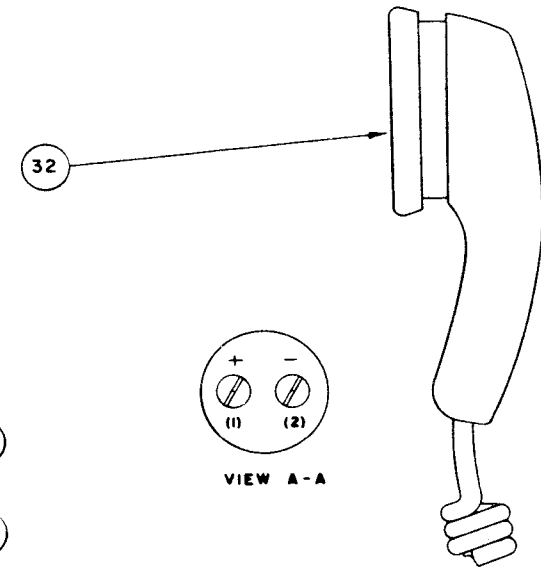
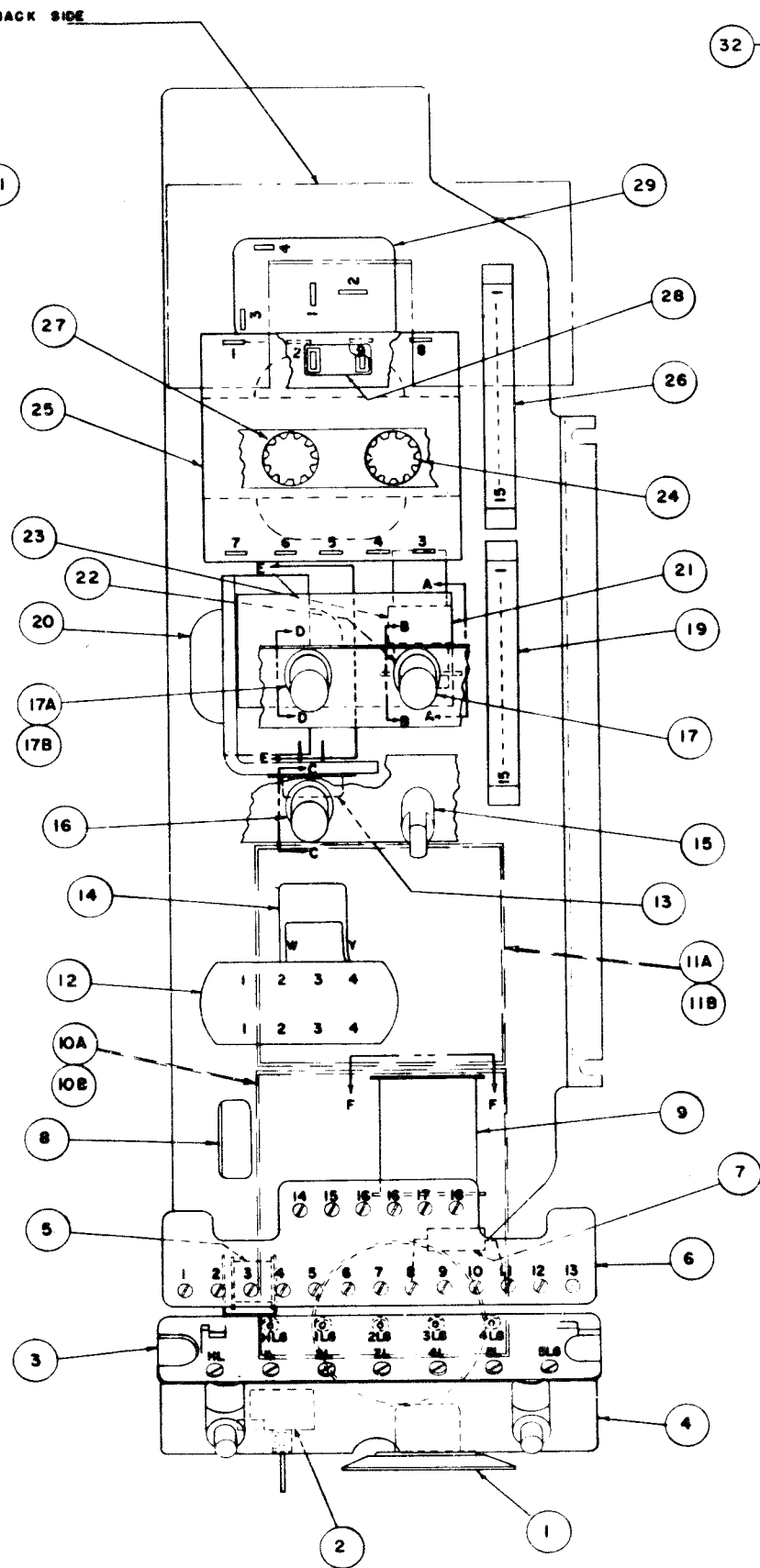
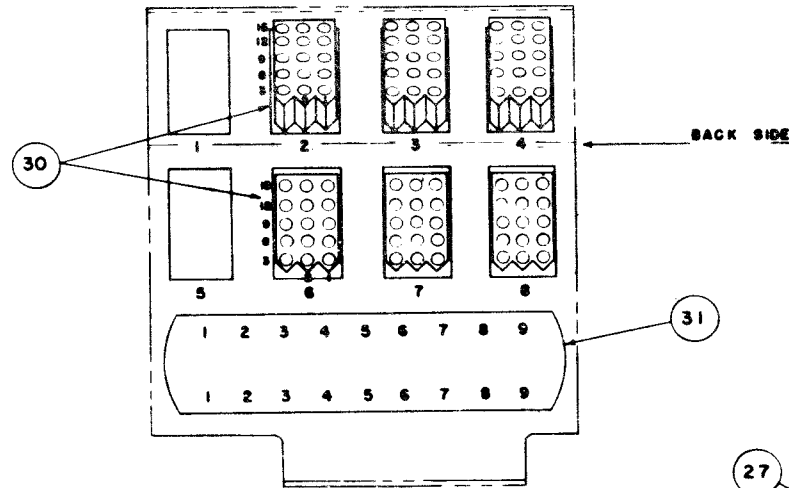
P.D. FILE NO. G-A152/154 AA

DRAWN CG	CHKD. [Signature]
ENGR. PRS	APPD. [Signature]

TELETYPE CORPORATION

5918 WD-J1

NO	ITEM	PART NO.	APP. FIG.	LOC.	DES.
1	SPEAKER	182682	8	2C7	SPKR.
2	POTENTIOMETER	182683	8	2C7	P3
3	LAMPS	182529	6	SEE 5918 WD-C3	
4	KEY ASSEMBLY	182582	6	SEE 5918 WD-C3	
5	BUZZER	182718	6	04	BUZ
6	TERMINAL STRIP	182717	---	---	TS3
7	CAPACITOR	182799	11	106	CT
8	FILTER	182532	12	103	F
9	RINGER	182503	6	1B3	G
10A	SEE J3	---	---	---	---
10B	SEE J3	---	---	---	---
11A	SEE J3	---	---	---	---
11B	SEE J3	---	---	---	---
12	TERMINAL STRIP	151415	---	---	TS2
13	TRANSISTOR, POWER	182675	6	2E7	Q2D
14	CAPACITOR	182761	6	1B2	CG
15	SWITCH, O.O.S.	182689	6	7A6, 7B6 7C6	OUT OF SERV. KEY
16	O.O.S. LAMP	182659	6	7B7	OUT OF SERV. LAMP
17	LAMP, RESTRAIN	182659	8	4E4	REST.
18A	LAMP, BRK-RLS	182659	6	5C4	BRK-RLS LAMP
18B	KEY, BRK-RLS	182660	6	5C4	BRK-RLS KEY
19	CONNECTOR	182536	6	2E3, 2E7 2F3	D
20	TRANSFORMER	182722	6	2E3	TMD
21	CAPACITOR	182501	6	2F3	CSMD
22	CONNECTOR	182716	6	2E3, 2E7	PD
23	CONNECTOR	182645	6	2E3, 2E7	PD
24	FUSE, SLO BLO	---	13, 14	7B2	F1
25	TRANSFORMER, POWER	182657	6	7B3	TP
26	CONNECTOR	182536	8	2E3, 2E7 2C4, 2D6	A
27	FUSE, SLO BLO	126296	6	7B3	F2
28	RECEPTACLE, CONV.	178831, 832	6	7C1	CONV. OUT.
29	RELAY, MTR. CONT.	182669	6	7D3, 7F1	MC
30	CONNECTOR	182539, 540	6	---	1, 2, 3, 4, 5, 6, 7, 8
31	TERMINAL STRIP	151411	6	---	TS1
32	RECEIVER	182662	5	207	REC



ISSUE	DATE	AUTH. NO.

MODEL 33
WADS "C"
DIAL TWX
PRINTER SETS

APPROVALS

D AND R	E OF M
---------	--------

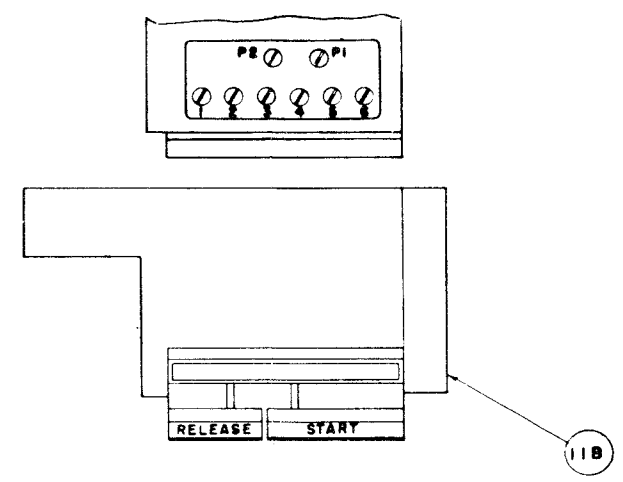
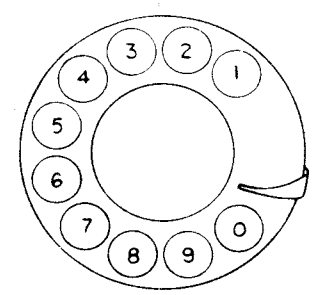
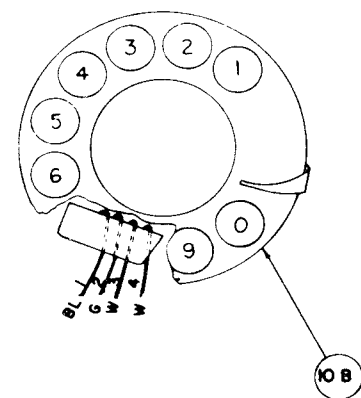
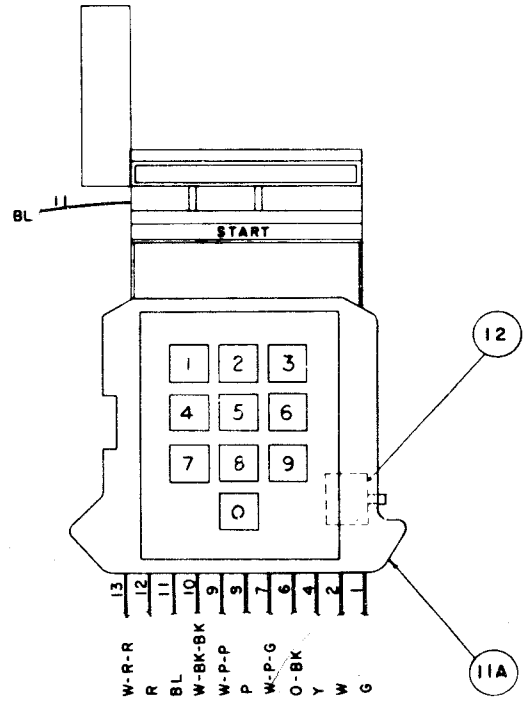
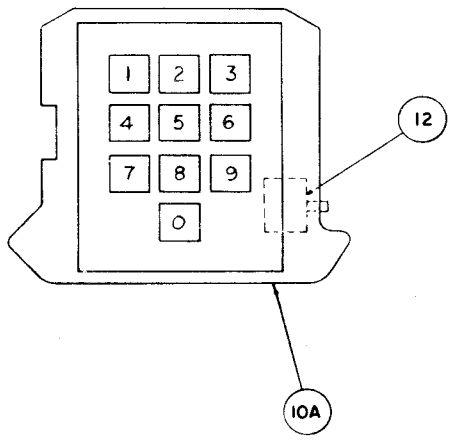
E-NUMBER
PROD. NO. 5918 WD-J2

DATE: 9-24-62
P.D. FILE NO. G-A152/154 AA

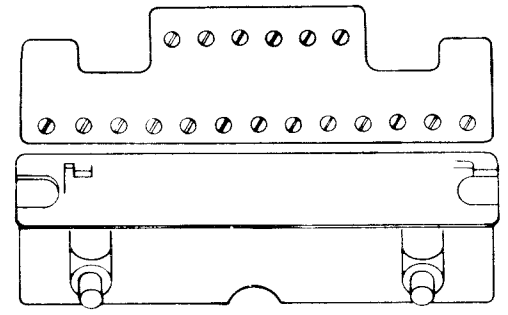
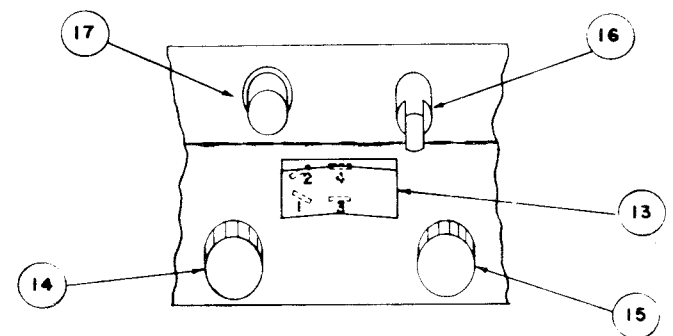
DRAWN CG	CHKD [Signature]
ENGD. PRS	APPD. [Signature]

TELETYPE CORPORATION

5918WD-J2



NO	ITEM	PART NO	APP. FIG.	LOC.	DES.
10A	TONE DIALER	182620	1	SEE PG. CI	25 F1
10B	PULSE DIALER	182500	3	"	8 G
11A	TONE DIALER	182621	2	"	26 C
11B	PULSE DIALER	182622	4	"	41 A
12	POTENTIOMETER	182686	11	107	PT
12	RESISTOR	182789	11	107	RT
13	A.B. TRIP SWITCH	182795	7	3E2	A.B. TRIP
13	BREAK SWITCH	182795	7	3D2	BREAK
14	FUSE SLO BLD	126296	6	7B3	F2
15	FUSE SLO BLD	SEE 5918WD-C5	13,14	7B3	F1
16	SWITCH O.O.S.	182688	6	7A6, 7B6, 7C6	OOS KEY
17	O.O.S. LAMP	182659	6	7B7	OOS LAMP



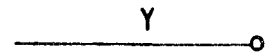
182083 CCU
R.O. ONLY

ISSUE	DATE	AUTH. NO.

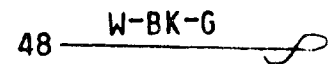
MODEL 33 WADS "C" DIAL TWX PRINTER SETS		
APPROVALS		
D AND R	E OF M	
E-NUMBER		
PROD. NO. 5918WD-J3		
DATE: 9-24-62		
P.D. FILE NO. G-A152/154 AA		
DRAWN CG	CHKD. PRS	APPD. PRS
ENGD. PRS	APPD. PRS	
TELETYPE CORPORATION		
5918WD-J3		

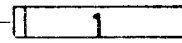
WIRING NOTES:

1. THE KSR-ASR WIRING IS SHOWN ON PAGES W2-W3-W4
2. THE RO WIRING IS SHOWN ON PAGES W5 - W6-W7
3. APPARATUS WITH PREATTACHED LEADS IS SHOWN AS FOLLOWS WITH THE WIRE COLOR INDICATED



4. SPARE LEADS FROM THE P & G CONNECTORS TAPED AND TIED BACK NEAR TS-3. THE SPARE LEADS ARE INDICATED AS FOLLOWS



5.  DENOTES A 153631 SPARK SUPPRESSOR (WECO 185A)
6. CALL CONTROL UNIT CABLE
KSR-ASR - 182671
RO ——— 182680

ISSUE	DATE	AUTH. NO.

MODEL 33
WADS "C" & DIAL TWX
PRINTER SETS

APPROVALS	
D AND R	E OF M
E-NUMBER	
PROD. NO. 5918WD-W1	
DATE:	
P.D. FILE NO. G-A152/1540A	
DRAWN. CMB	CHKD. <i>[Signature]</i>
ENG. PRS	APPD. <i>[Signature]</i>
TELETYPE CORPORATION	
5918WD-W1	

ITEM	CONNECTOR FEMALE	KEY ASSEMBLY	LAMP HOLDER	P. B. SWITCH	LAMP HOLDER	TRANS-FORMER	KEY	TERMINAL STRIP	RINGER	CAPACITOR	TERMINAL STRIP	TERMINAL STRIP	CONNECTOR CARD EDGE	POTENTIOMETER	SPEAKER	LEAD CODE	SHEET CODE
CIRCUIT DESIGNATION	P	SEE APP. FIG-6	REST	BRK RLS	OUT OF SERV	TP	OUT OF SERV	TS-2	G	CG	TS-1	TS-3	A	P S	SPKR		
PART NO.	182733	182582	182658	182660	182658	182657	182688	151415	182503	182761	151411	181717	182536	182683	182682		
WECO CODE	KSIG690LI								D1B	548A							
1	G	18															
2	P	17															
3	BL	11															
4	Y	12															
5	O	6															
6	BK	5															
7	W-BK-P	2															
8	R-Y	2															
9	W-O-BL	3															
13	W-BL	21															
15	W-P	20															
16	W-G	22															
22	W-Y	19															
19	W-R	27															
24	BK-Y																
25	BK-G																
26	BR-S																
20	R-G																
27	R-G																
23	R																
29	R																
30	O-G																
31	R-BL																
33	W																
44	Y-G																
34	Y-G																
35	R-BR																
39	O-S																
41	BR-Y																
42	W-BK-R																
46	S	1															
47	W-O-BR																

TEL
LINE
CONN
RING
TIP

ISSUE	DATE	AUTH NO.

KEY ASSEMBLY 35
LAMP STRIP HL
2-3
2-3
8-11
2-3
G-17
2-3

ASR-KSR-CCU
MODEL 33
WADS "C" & DIAL TWX
PRINTER SET

APPROVALS
D AND R E OF M

E-NUMBER
PROD. NO. 5918WD-W2

DATE:
P.D. FILE NO. G-152/154AA
DRAWN. CMB CHKD
ENGD. PRS APPD

TELETYPE CORPORATION
5918WD-W2

ITEM	CORD	TERMINAL STRIP	OUTLET	FUSE HOLDER	FUSE HOLDER	CONNECTOR CARD	TRANS-FORMER	CAPACITOR	CONNECTOR CHASSIS	TRANSISTOR POWER	LEAD CODE	SHEET CODE
CIRCUIT DESIGNATION	BUILDING POWER	TS-1	CONVENIENCE OUTLET	F1	F2	D	TMD	CSMD	PD	Q2D		
PART NO.	182510	151411	178831 178833	182661	182661	182536	182722	182501	182716	181675		
WECO CODE												
											TP-1	3-4
											PD-3	3-4
											TP-2	3-4

ASR-KSRCCU

MODEL 33
WADS ^MC^M & DIAL TWX
PRINTER SETS

APPROVALS

D AND R E OF M

E-NUMBER

PROD. NO. 5918WD-W4

DATE:

PD. FILE NO. G-A152/1544A

DRAWN. CMB CHKD. *[Signature]*

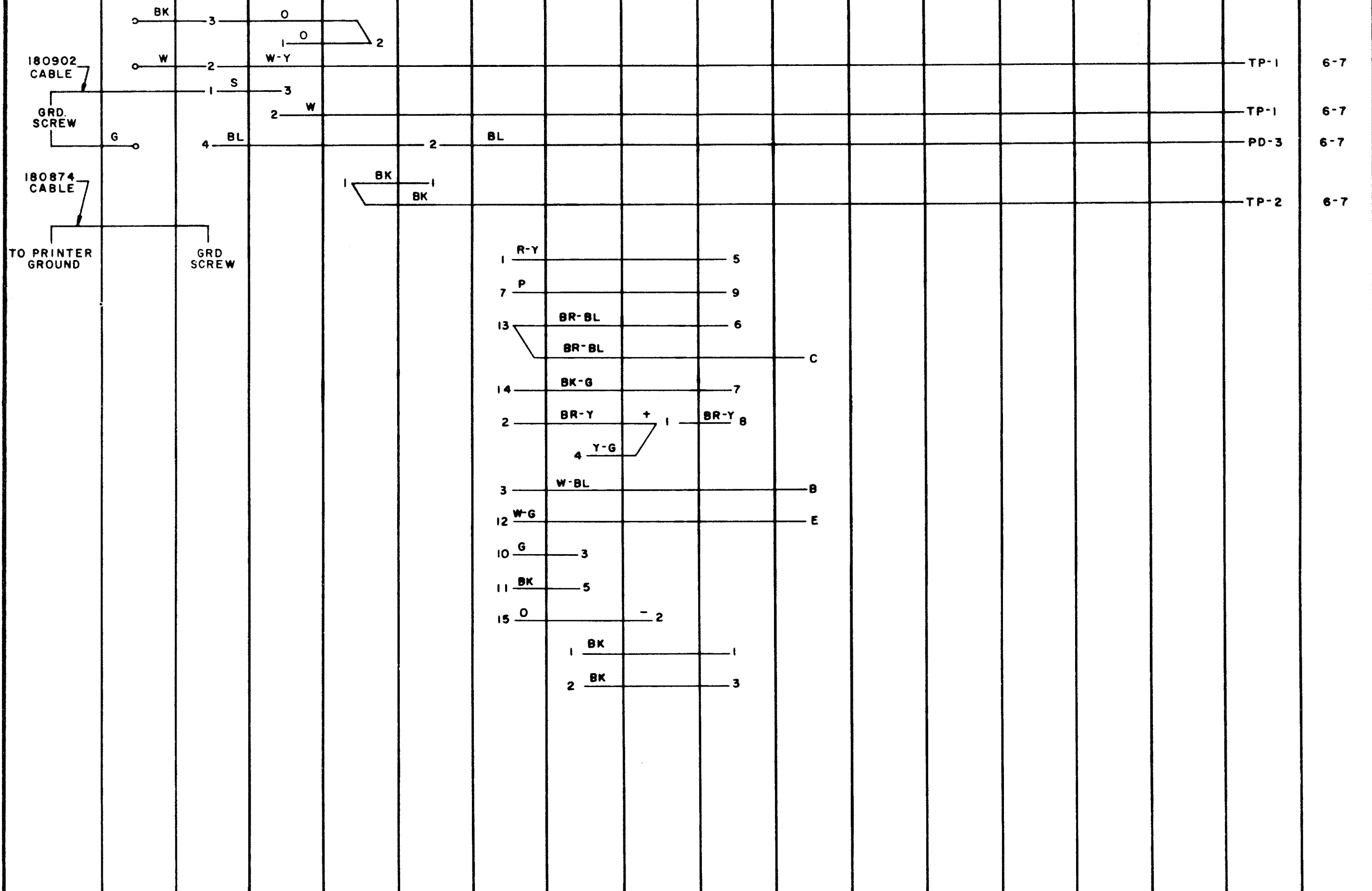
ENGD. PRS APPD. *[Signature]*

TELETYPE CORPORATION

5918WD-W4

ITEM	CORD	TERMINAL STRIP	OUTLET	FUSE HOLDER	FUSE HOLDER	CONNECTOR CARD	TRANS-FORMER	CAPACITOR	CONNECTOR CHASSIS	TRANSISTOR POWER					LEAD CODE	SHEET CODE
CIRCUIT DESIGNATION	BUILDING POWER	TS-1	CONVENIENCE OUTLET	F1	F2	D	TMD	CSMD	PD	Q2D						
PART NO.	182510	151411	178831 178833	182661	182661	182536	182722	182501	182716	181675						
WECO CODE																

WD		
ISSUE	DATE	AUTH. NO.



TP-1	6-7
TP-1	6-7
PD-3	6-7
TP-2	6-7

RO CCU

**MODEL 33
WADS "C" & DIAL TWX
PRINTER SET**

APPROVALS

D AND R	E OF M
---------	--------

E-NUMBER

PROD. NO. 5918WD-W7

DATE: 8-9-62

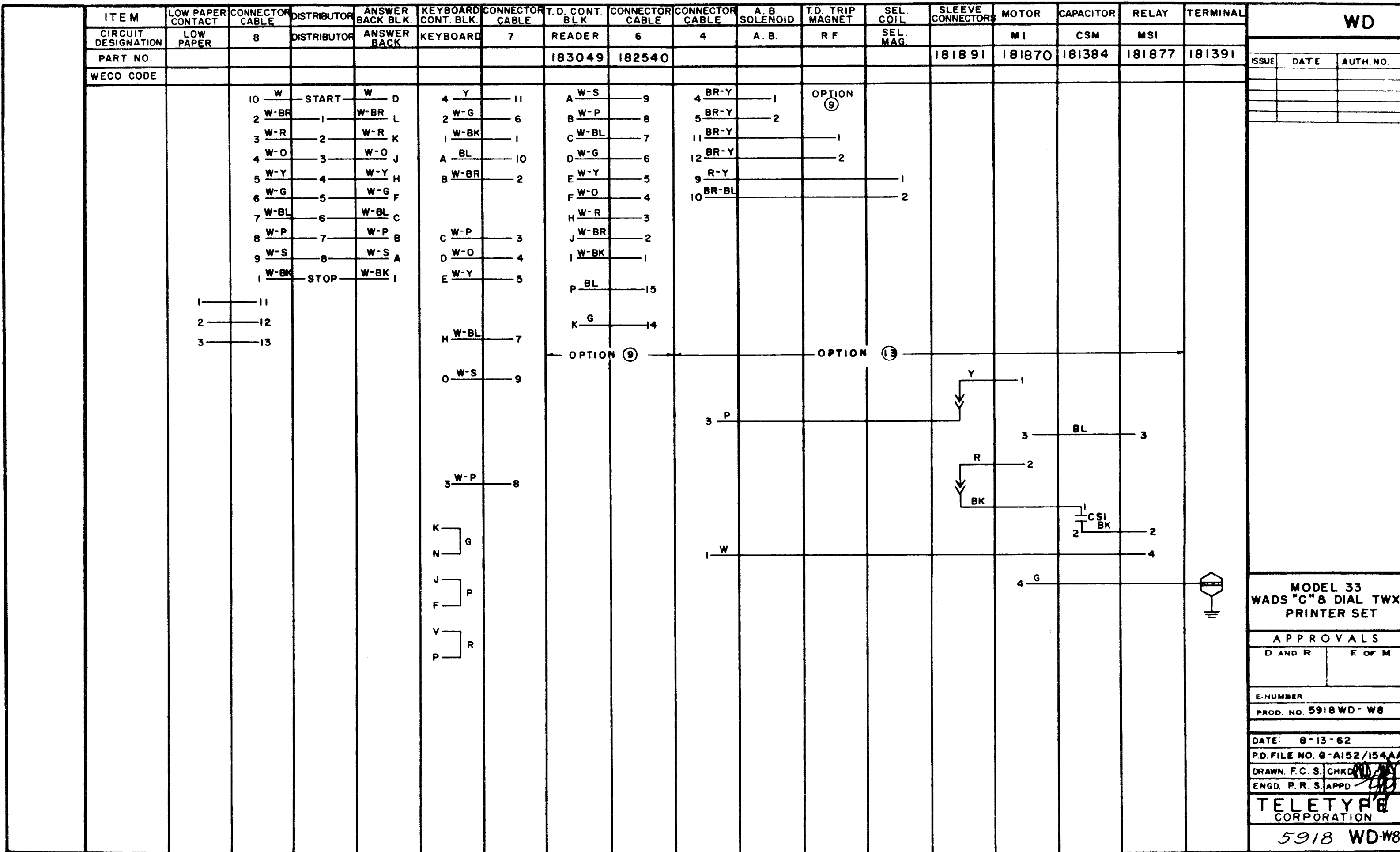
P.D. FILE NO. G-A152/154

DRAWN, F.C.S. CHKD. *[Signature]*

ENG. P.R.S. APPD. *[Signature]*

TELETYPE CORPORATION

5918 WD-W7

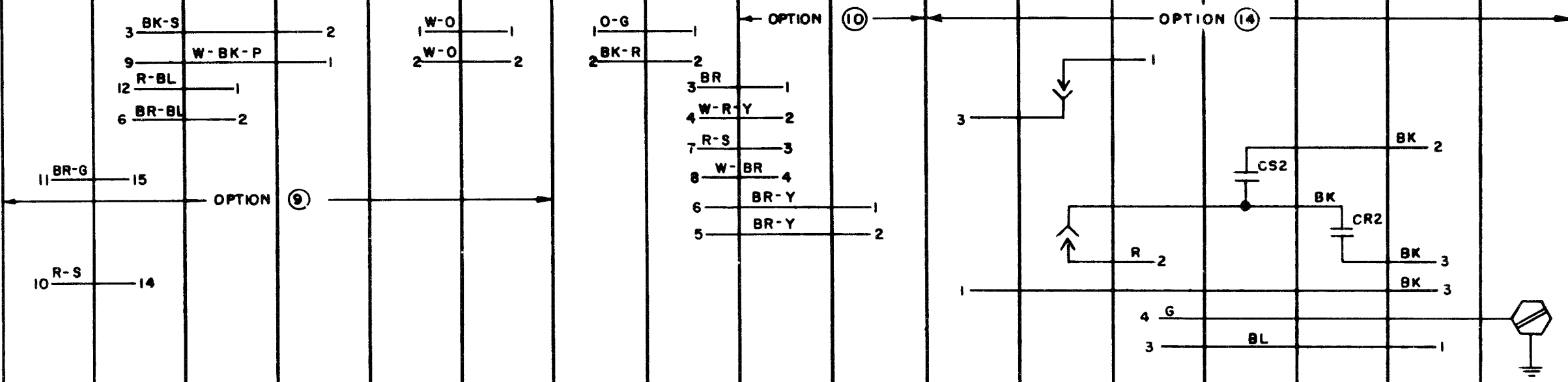


MODEL 33 WADS "C" & DIAL TWX PRINTER SET	
APPROVALS	
D AND R	E OF M
E-NUMBER	
PROD. NO. 5918 WD - W8	
DATE: 8-13-62	
P.D. FILE NO. G-A152/154A	
DRAWN. F. C. S. CHKD.	<i>[Signature]</i>
ENGD. P. R. S. APPD.	<i>[Signature]</i>
TELETYPE CORPORATION	
5918 WD-W8	

ITEM	CONNECTOR CABLE	CONNECTOR CHASSIS	TD FEED MAGNET	TD FEED CONTACT	RESISTOR POWER	BOARD ASSEMBLY	E. O. T. CONTACT	CONNECTOR CABLE	FORM OUT CONTACT	F. O. TRIP MAGNET	CONNECTOR CABLE	SLEEVE CONNECTORS	MOTOR	CAPACITOR	CAPACITOR	RELAY	TERMINAL
CIRCUIT DESIGNATION	6	R	RF	TD FEED	RIR	READER POWER PACK	EOT	3	FORM OUT	FO	4		M2	CS2	CR2	MS2	
PART NO.	182540	182539	182139	182137	183081	183087						181891	181861	181394	181387	181869	181391
WECO CODE																	

WD

ISSUE	DATE	AUTH. NO.



MODEL 33
WADS "C" & DIAL TWX
PRINTER SET

APPROVALS
D AND R E OF M

E-NUMBER
PROD. NO. 5918WD-W9

DATE: 8-13-62
P.D. FILE NO. G-A152/154AA
DRAWN. F.C.S. CHKD. *[Signature]*
ENG. P.R.S. APPD. *[Signature]*

TELETYPE CORPORATION
5918 WD-W9

ITEM	ROTARY DIAL	TERMINAL STRIP	FILTER	TOUCH TONE DIALER	TERMINAL STRIP	VOLUME CONTROL	DC CARD DIALER	ROTARY DIAL	TERMINAL STRIP	FILTER	TRANSFORMER POWER	CONNECTOR CARD EDGE	WD		
CIRCUIT DESIGNATION	8G PULSE DIALER	TS-3	F		TS-3	PT		8G PULSE DIALER	TS-3	F	TP	A	ISSUE	DATE	AUTH. NO.
PART NO.	182500	182717	182532	182090 182092	182717	182686	182093	182500	182717	182532	182657	182536			
WECO CODE	8G			25F-25G			41A	8G							

**MODEL 33
WADS "C" & DIAL TWX
PRINTER SET**

APPROVALS

D AND R	E OF M
---------	--------

E-NUMBER

PROD. NO. 5918WD-W10

DATE: 8-11-62

P.D. FILE NO. G-A152/154AA

DRAWN. F.C.S. CHKD. *[Signature]*

ENG. P.R.S. APPD. *[Signature]*

**TELETYPE
CORPORATION**

5918 WD-W10