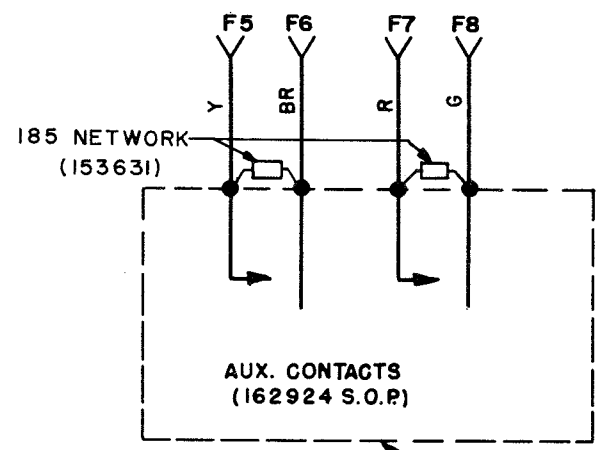


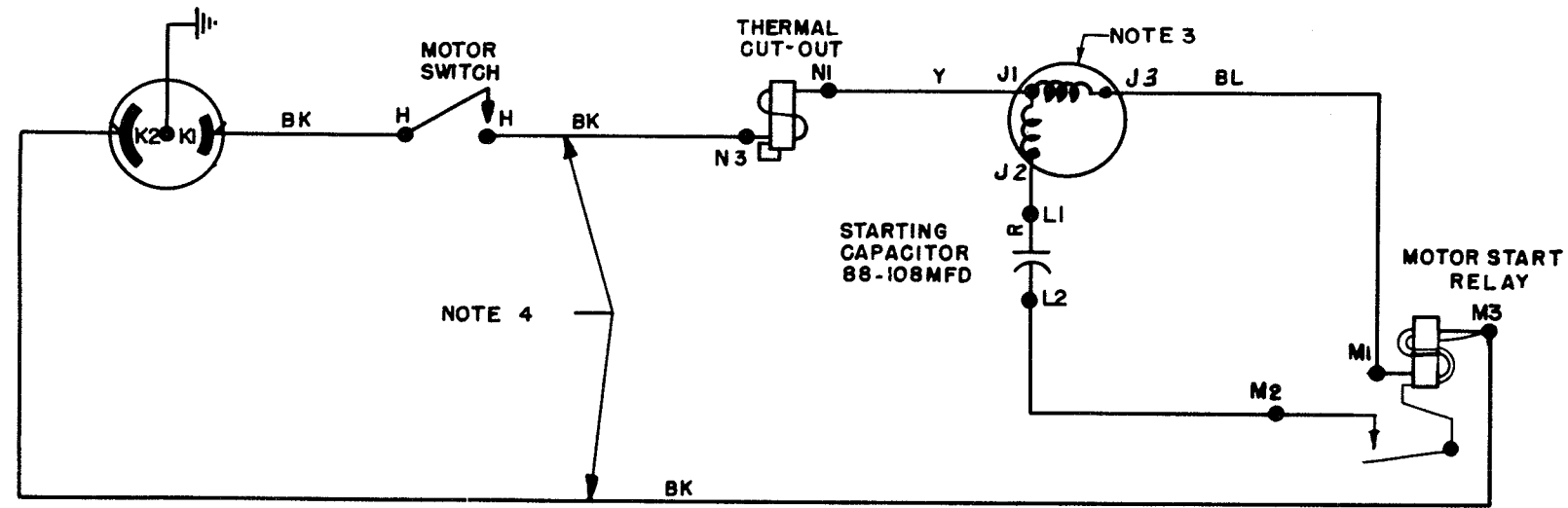
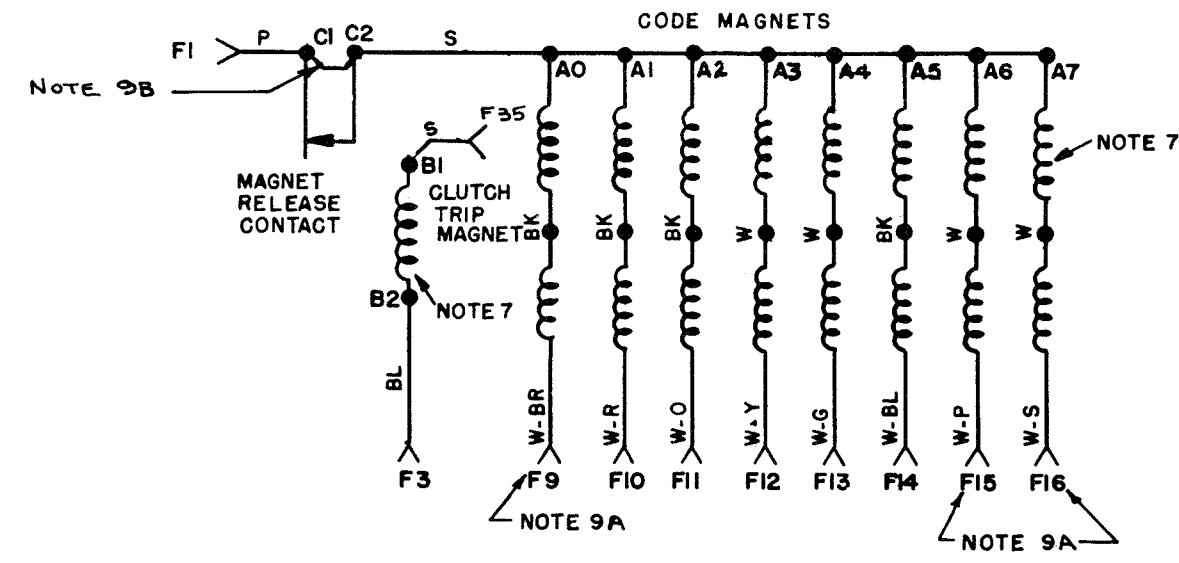
5947WD

ISSUE	DATE	AUTH.NO.

- | NO. | NOTES |
|-----|--|
| 1. | <p>WIRING LEGEND</p> <p>DISTANT TERMINATING AREA.</p> <p>DISTANT TERMINAL DESIGNATION.</p> <p>A-I, W-BL</p> <p>WIRE COLOR CODE</p> |
| 2. | <p>COLOR CODE</p> <p>BK-BLACK
BR-BROWN
R-RED
O-ORANGE
Y-YELLOW
G-GREEN
BL-BLUE
P-PURPLE
W-WHITE
S-SLATE</p> |
| 3. | <p>REFER TO WIRING DIAGRAM 2900WD FOR LMU20 MOTOR UNIT.</p> |
| 4. | <p>PART OF LMU20 MOTOR UNIT (162911 GABLE ASSEM.)</p> |
| 5. | |
| 6. | <p>DOTTED LINES INDICATE AVAILABLE OPTIONAL ACCESSORIES.</p> |
| 7. | <p>A. SELECTOR MAGNET RESISTANCE:
2 X 170Ω PER CODE LEVEL.</p> <p>B. CLUTCH TRIP MAGNET RESISTANCE:
200 Ω</p> |
| 8. | <p>LARP 8 SAME AS LARP 5 EXCEPT FOR CHANGES INDICATED IN NOTE 9B</p> |
| 9. | <p>A. ON LARP 8 - CODE MAGNETS #0, 6, 7, & ASSOCIATED WIRING NOT PART OF THIS UNIT.</p> <p>B. ADD STRAP ACROSS MAGNET RELEASE CONTACTS</p> |
| 10. | |
| 11. | <p>LARP 804 SAME AS LARP 800 EXCEPT FOR CHANGE INDICATED BY NOTE 9B</p> |



USED ON LARP 8



RTTY ELECTRONICS
TELETYPE=Sales-Service-Parts
PO Box 20101 El Sobrante, Ca.
94820. (510)222-3102
mr_rtty@pacbell.net

SCHEMATIC WIRING DIAGRAM MULTI-MAGNET REPERFORATOR SET

LARP 8
LARP 804
LARB 200
LMU 20

APPROVALS	
D AND B	EOFM
E-NUMBER	
PROD. NO. 5947WD	
DATE: 8-17-62	
PD. FILE NO. 3-95AAA	
DRAWN G.J.M.	CHKD. GHK.
ENG. P.H.B.	APPD. APPD.
TELETYPE	
5947WD	