

- NO. NOTES
- REFER TO 5990WD FOR ACTUAL WIRING DIAGRAM.
 - PARENTHESES INDICATE TERMINAL DESIGNATIONS FOR REFERENCE ONLY.
 - ALL VOLTAGES DC UNLESS OTHERWISE SPECIFIED.
 - RESISTANCE VALUES OF WINDINGS ON TRANSFORMER

T900		RESISTANCE
BETWEEN TAPS		
1 & 2		1.22 Ω
3 & 9		0.173 Ω
10 & 12		0.296 Ω
13 & 14		10.05 Ω
 - ALL RESISTORS 1/2 WATT AND RESISTANCE VALUES IN OHMS, UNLESS OTHERWISE SPECIFIED.
 - ALL CAPACITANCE VALUES IN MICROFARADS, UNLESS OTHERWISE SPECIFIED.

5989 WD		
REVISIONS		
ISSUE	DATE	AUTH. NO.
2	12-17-63	79359
3	1-2-64	79843
4	5-22-64	79848

SCHEMATIC WIRING DIAGRAM FOR MULTI-VOLTAGE POWER SUPPLY

(ASSEM. NO. 148278)

APPROVALS

D. AND R. E. OR M.

ENUMBER

PROD. NO. 5989WD

DATE: 2-2-63

P.D. FILE NO. 1-33.68A

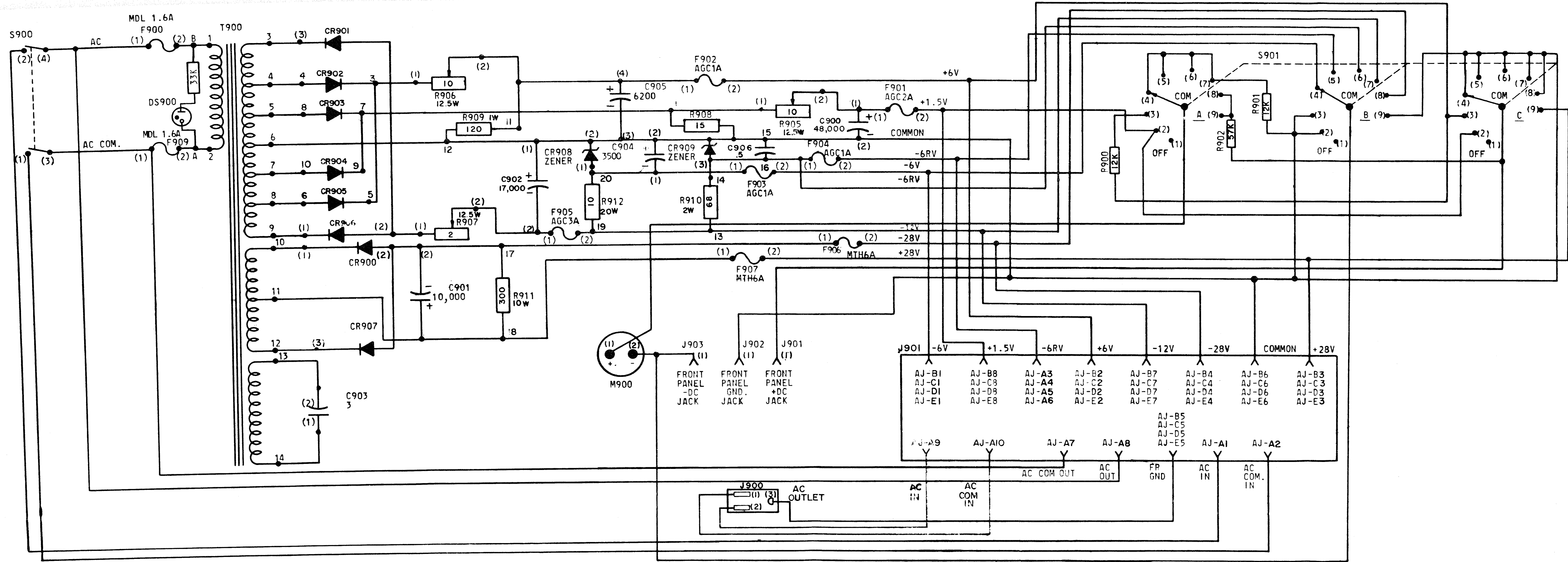
DRAWN N.A.R. CKKD

ENGD. E.J.T. APPD. ROR

TELETYPE CORPORATION

5989 WD

RTTY ELECTRONICS
 TELETYPE=Sales-Service-Parts
 PO Box 20101 El Sobrante, Ca.
 94820. (510)222-3102
 mr_rtty@pacbell.net



NO.	NOTES										
1.	REFER TO 5990WD FOR ACTUAL DIAGRAM.										
2.	PARENTHESES INDICATE TERMINAL DESIGNATIONS FOR REFERENCE.										
3.	ALL VOLTAGES DC UNLESS OTHERWISE SPECIFIED.										
4.	RESISTANCE VALUES OF WINDINGS BETWEEN TAPS OF TRANSFORMER T900										
	<table border="1"> <thead> <tr> <th>BETWEEN TAPS</th> <th>RESISTANCE</th> </tr> </thead> <tbody> <tr> <td>1 & 2</td> <td>1.22</td> </tr> <tr> <td>3 & 9</td> <td>0.173</td> </tr> <tr> <td>10 & 12</td> <td>0.296</td> </tr> <tr> <td>13 & 14</td> <td>10.05</td> </tr> </tbody> </table>	BETWEEN TAPS	RESISTANCE	1 & 2	1.22	3 & 9	0.173	10 & 12	0.296	13 & 14	10.05
BETWEEN TAPS	RESISTANCE										
1 & 2	1.22										
3 & 9	0.173										
10 & 12	0.296										
13 & 14	10.05										
5.	ALL RESISTORS 1/2 WATT AND RESISTANCE VALUES IN OHMS, UNLESS OTHERWISE SPECIFIED.										
6.	ALL CAPACITANCE VALUES IN MICROFARADS, UNLESS OTHERWISE SPECIFIED.										