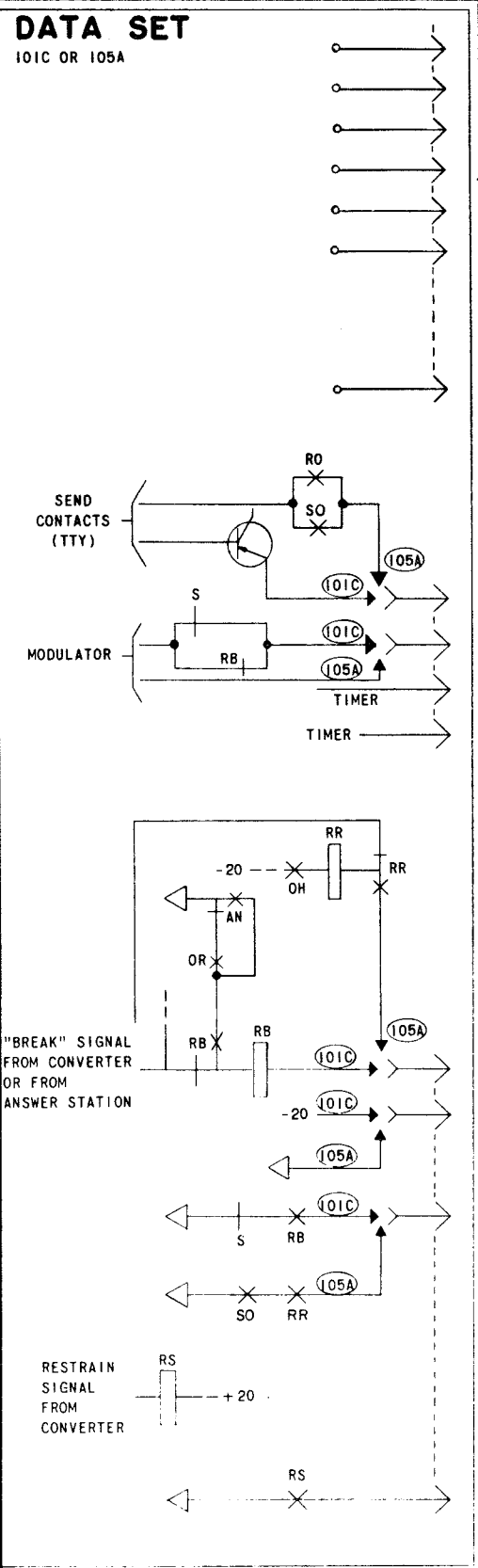


INDICATES COMMON RETURN TO THE POWER SUPPLY - NOT RELATED TO CHASSIS POTENTIAL.

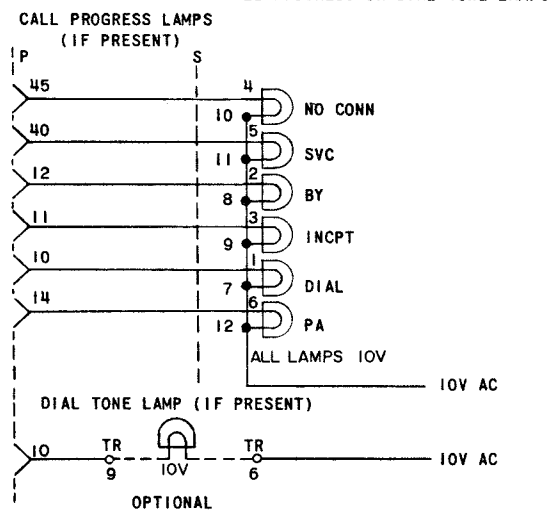
DATA SET

101C OR 105A

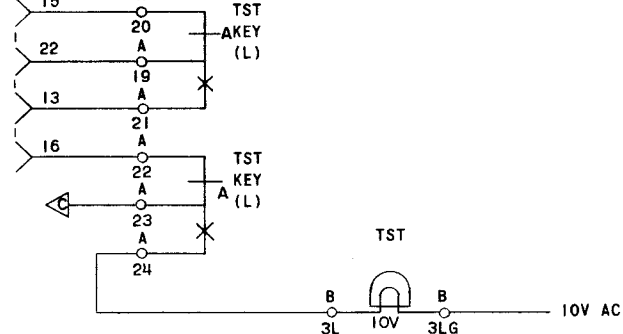


FS-1

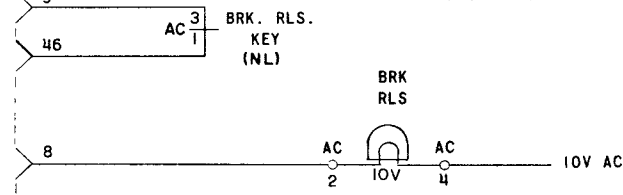
CALL PROGRESS OR DIAL TONE LAMPS



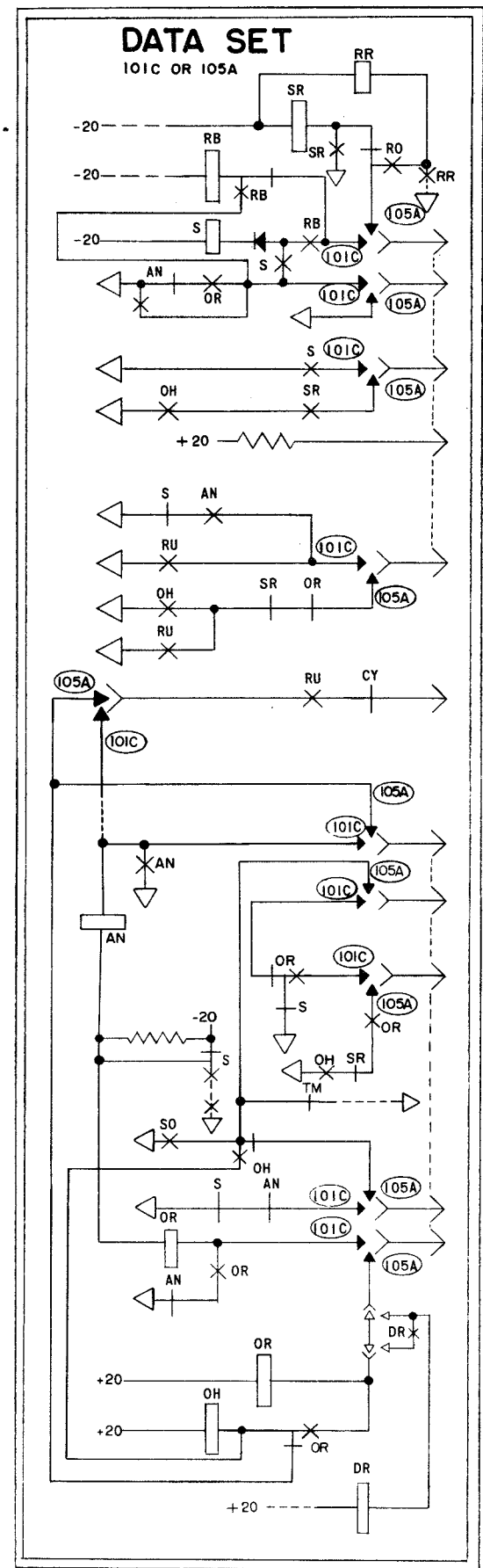
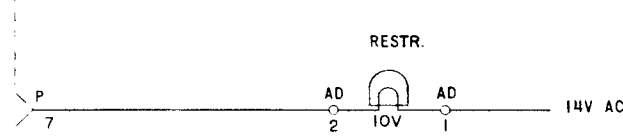
FS-2 TEST



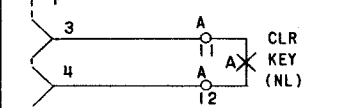
FS-3 BREAK RELEASE



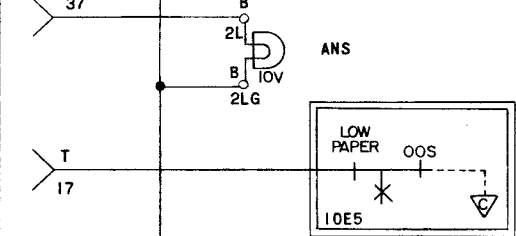
FS-4 RESTRAIN



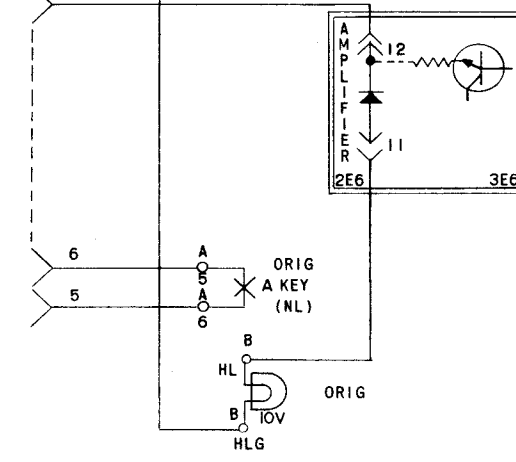
FS-5 CLEAR



FS-6 ANSWER



FS-7 ORIGINATE



NOTE: REVISION INFORMATION MUST ALSO BE REFLECTED ON THE ISSUE CONTROL RECORD, WHICH IS A PART OF THIS DRAWING.

6000WD-BI		
REVISIONS		
ISSUE	DATE	AUTH. NO.
2	12-13-62	75364
3	10-16-64	84122
4	12-10-64	83562
5	12-21-64	84609
6	6-21-65	87583

RTTY ELECTRONICS
TELETYPE=Sales-Service-Parts
PO Box 20101 El Sobrante, Ca.
94820. (510)222-3102
mr_rtty@pacbell.net

SEE ISSUE CONTROL RECORD FOR COMPLETE LIST OF SHEETS COMPRISING THIS W.D.

DETACHED SCHEMATIC WIRING DIAGRAM FOR TELETYPEWRITER SETS (ASR)

SHEET BI

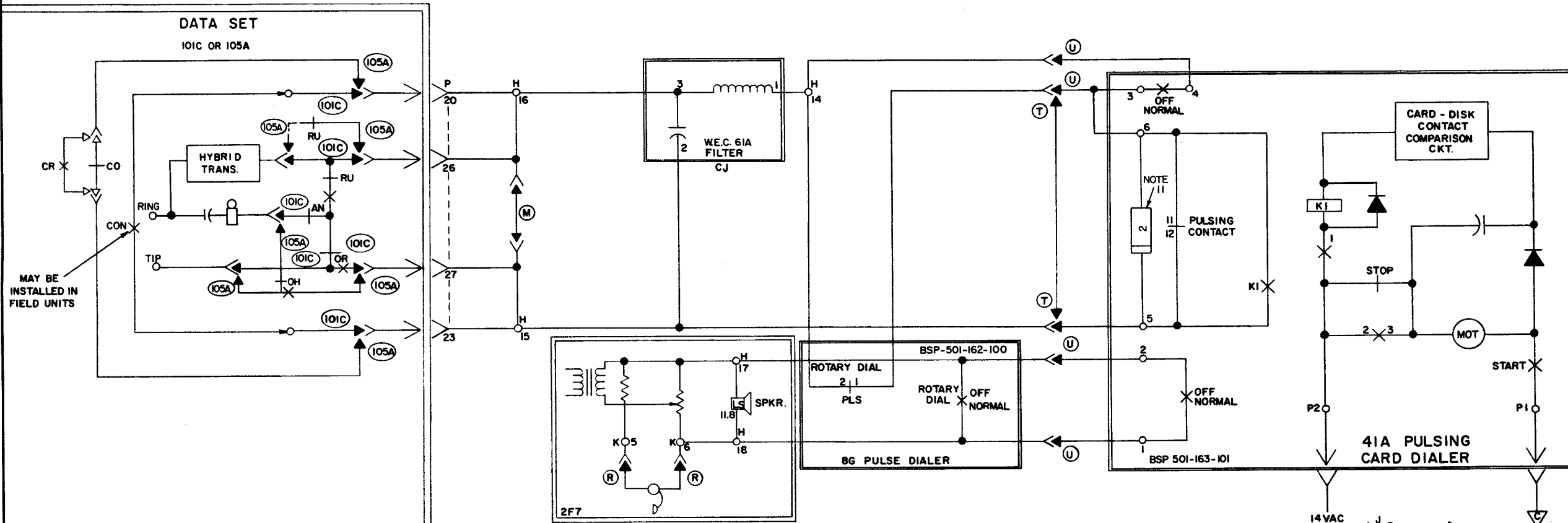
APPROVALS	
D AND R	E OF M
<i>OAL</i>	
E-NUMBER	
PROD. NO. 6000WD-BI	
DATE 8-20-62	
P.D. FILE NO. G-A151AA	
DRAWN J.A.P.	CHKD. <i>OAL</i>
ENGD. R.D.S.	APPD. <i>OAL</i>
TELETYPE CORPORATION	
6000WD-BI	

REVISIONS

ISSUE	DATE	AUTH. NO.
2	11-12-62	75072
3	12-13-62	75364
4	8-31-64	83141
5	10-16-64	84122
6	12-21-64	84609
7	3-15-65	86287
8	6-21-65	87583
9	12-13-68	96463
10	5-7-70	8

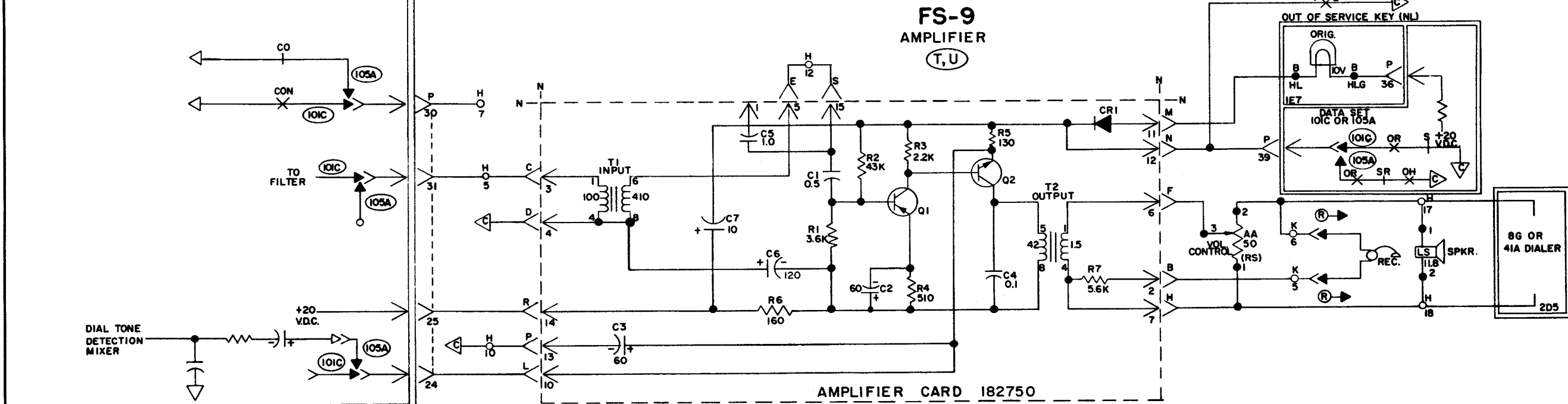
FS-8
ROTARY DIAL & PULSING CARD DIALER

(T,U)



FS-9
AMPLIFIER

(T,U)



SEE ISSUE CONTROL RECORD FOR COMPLETE LIST OF SHEETS COMPRISING THIS W.D.

DETACHED SCHEMATIC WIRING DIAGRAM FOR TELETYPEWRITER SETS (ASR)

SHEET B2

APPROVALS

D AND R
E OF M

E-NUMBER

PROD. NO. 6000WD-B2

DATE 8-20-62

P.D. FILE NO. G-A151AA

DRAWN J.A.P. CHKD. [Signature]

ENGD. R.D.S. APPD. [Signature]

TELETYPE CORPORATION

INDICATES COMMON RETURN TO THE POWER SUPPLY - NOT RELATED TO CHASSIS POTENTIAL.

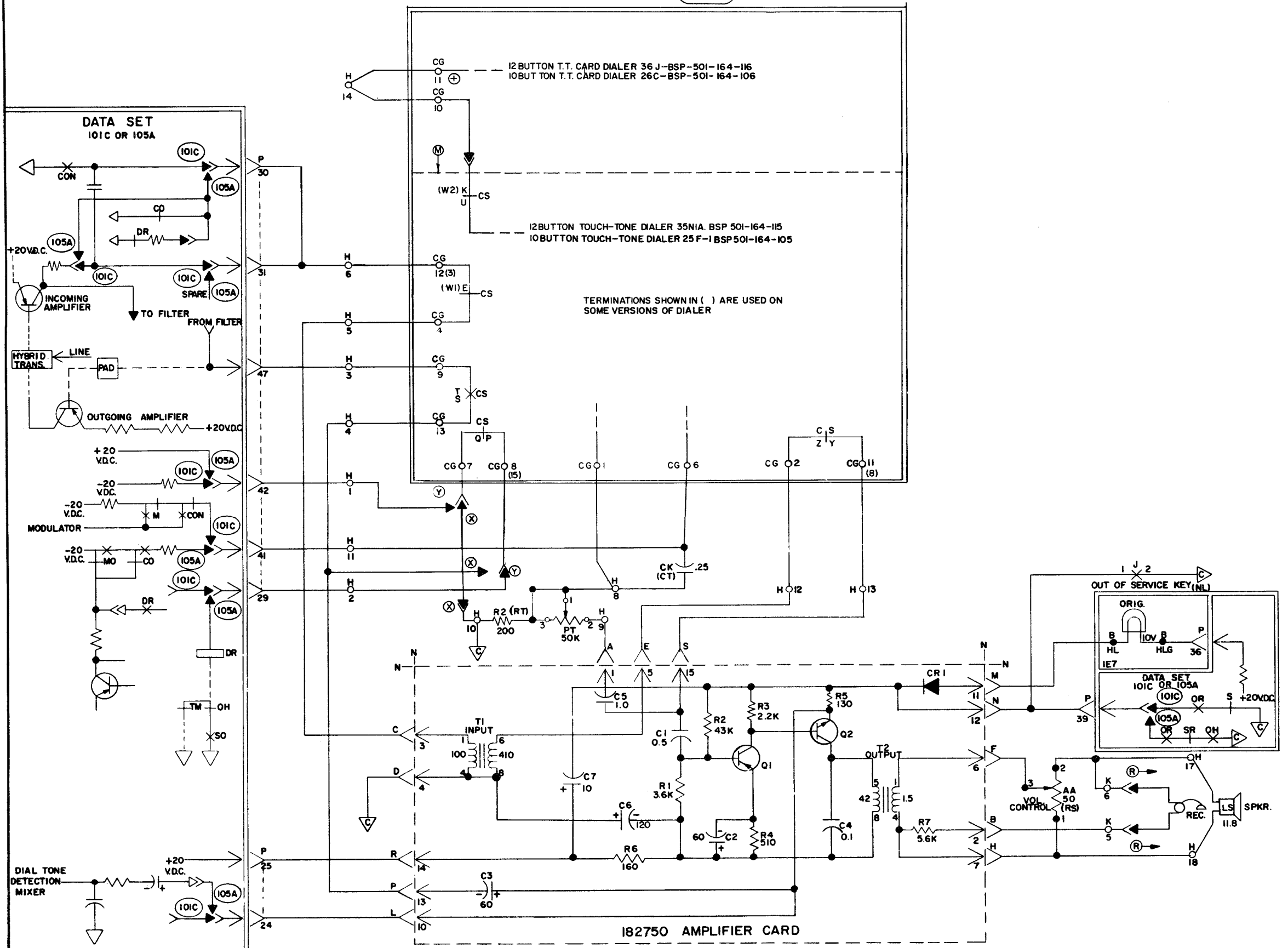
DENOTES ARC SUPPRESSION NETWORK ASSEMBLY 334167

NOTE:
REVISION INFORMATION MUST ALSO BE
REFLECTED ON THE ISSUE CONTROL REC-
ORD, WHICH IS A PART OF THIS DRAWING.

6000WD-B3

REVISIONS		
ISSUE	DATE	AUTH. NO.
2	12-13-62	75364
3	12-9-63	79390
4	10-16-64	84122
5	12-21-64	84609
6	3-15-65	86287
7	6-21-65	87583
8	10-18-65	88321
9	5-19-69	99164
10	5-7-70	8

FS-10 TOUCH-TONE DIALER & AMPLIFIER CIRCUIT (M,X,Y)



INDICATES COMMON RETURN TO THE POWER SUPPLY-
NOT RELATED TO CHASSIS POTENTIAL.

SEE ISSUE CONTROL RECORD FOR COM-
PLETE LIST OF SHEETS COMPRISING THIS
W.D.

DETACHED SCHEMATIC
WIRING DIAGRAM FOR
TELETYPEWRITER SETS
(A S R)

SHEET B3

APPROVALS

D AND R
E OF M

E-NUMBER

PROD. NO. 6000WD-B3

DATE 8-20-62

P.D. FILE NO. G-A151AA

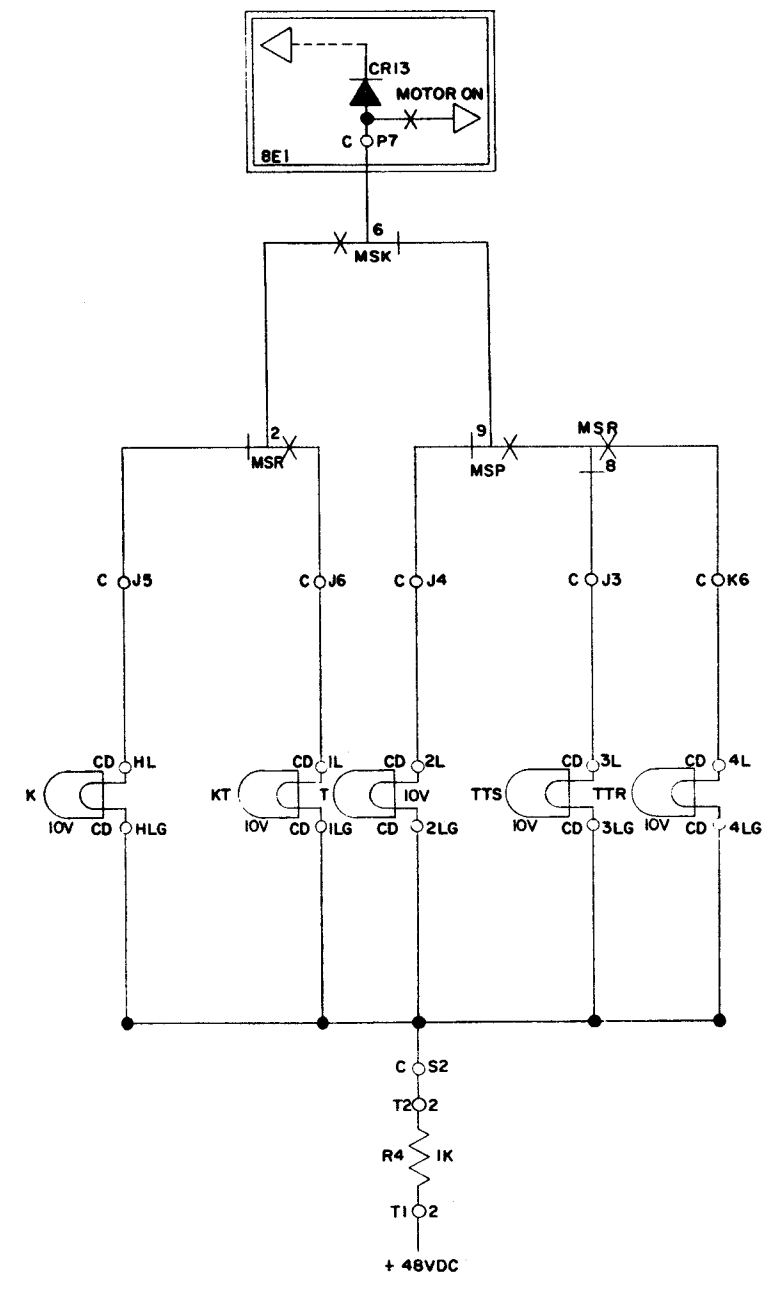
DRAWN J.A.P. CHKD. R.P.P.

ENGD. R.S.D. APPD.

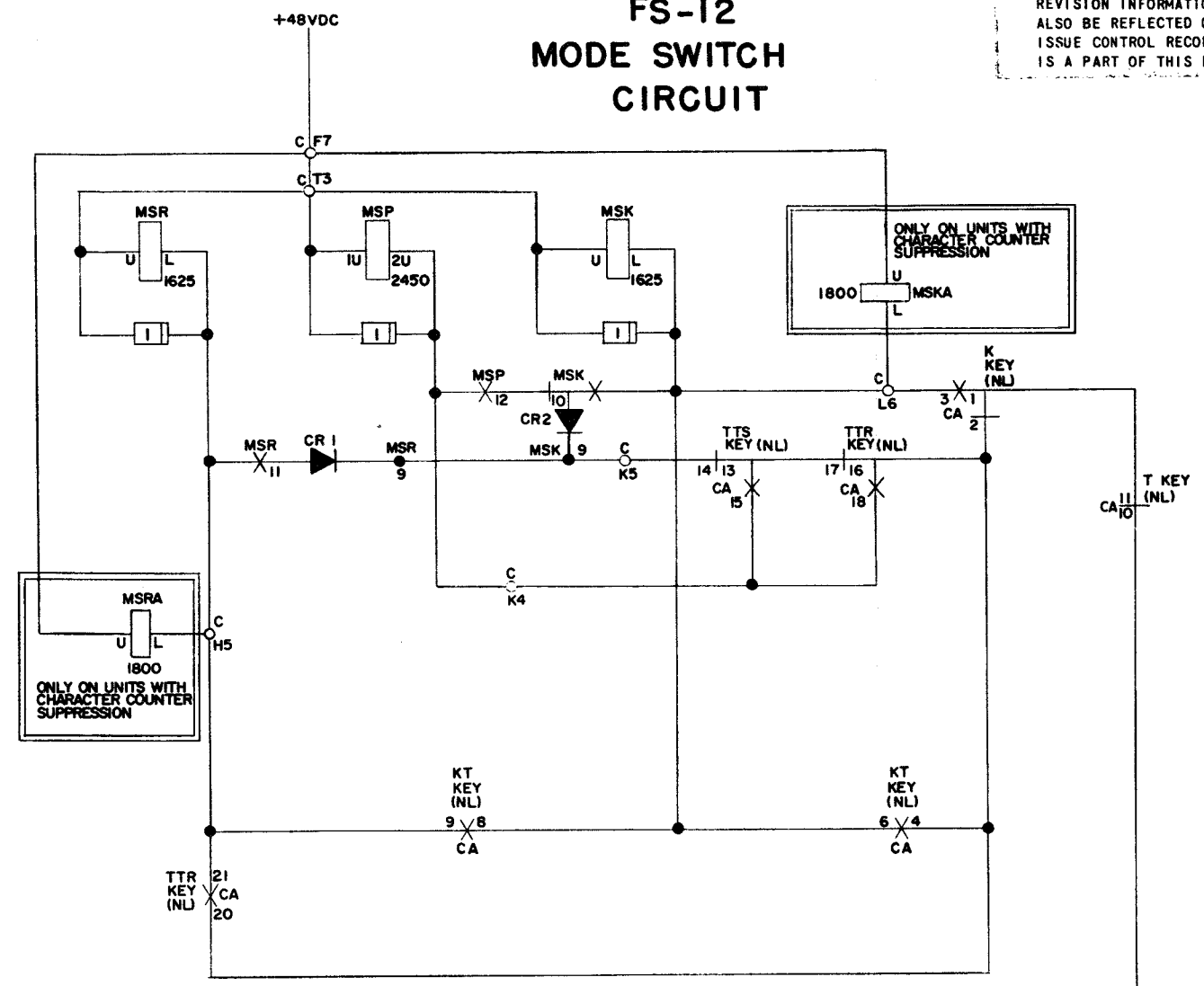
TELETYPE
CORPORATION

6000WD-B3

FS-11 MODE SWITCH LAMP CIRCUIT



FS-12 MODE SWITCH CIRCUIT



NOTE:
REVISION INFORMATION MUST
ALSO BE REFLECTED ON THE
ISSUE CONTROL RECORD, WHICH
IS A PART OF THIS DRAWING.

6000WD - B4

REVISIONS		
ISSUE	DATE	AUTH. NO.
2	11 - 12 - 62	75072
3	12 - 13 - 62	75364
4	10 - 16 - 64	84122
5	12 - 18 - 64	84609
6	6 - 21 - 65	87583

SEE ISSUE CONTROL RECORD FOR
COMPLETE LIST OF SHEETS
COMPRISING THIS W.D.

DETACHED SCHEMATIC
WIRING DIAGRAM FOR
TELETYPEWRITER SETS
(A S P)

SHEET B4

APPROVALS

D AND R	E OF M
---------	--------

E-NUMBER

PROD. NO. 6000WD - B4

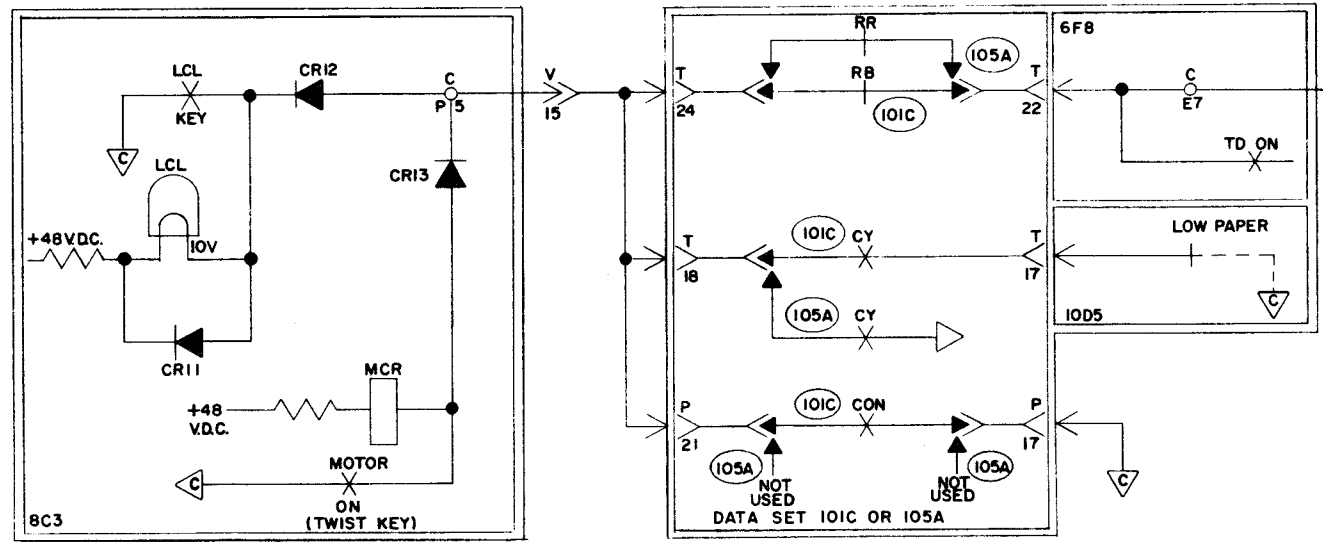
DATE 8 - 20 - 62

R.D. FILE NO. G - A151 AA

DRAWN JAP	CHKD. [Signature]
ENGD. R.D.S	APPD. [Signature]

TELETYPE
CORPORATION

6000WD - B4



⎓ DENOTES ARC SUPPRESSION NETWORK 153631 .11 470

⏏ INDICATES COMMON RETURN TO THE POWER SUPPLY - NOT RELATED TO CHASSIS POTENTIAL.

FS-13 SIGNAL GENERATORS AND SELECTOR MAGNET DRIVERS

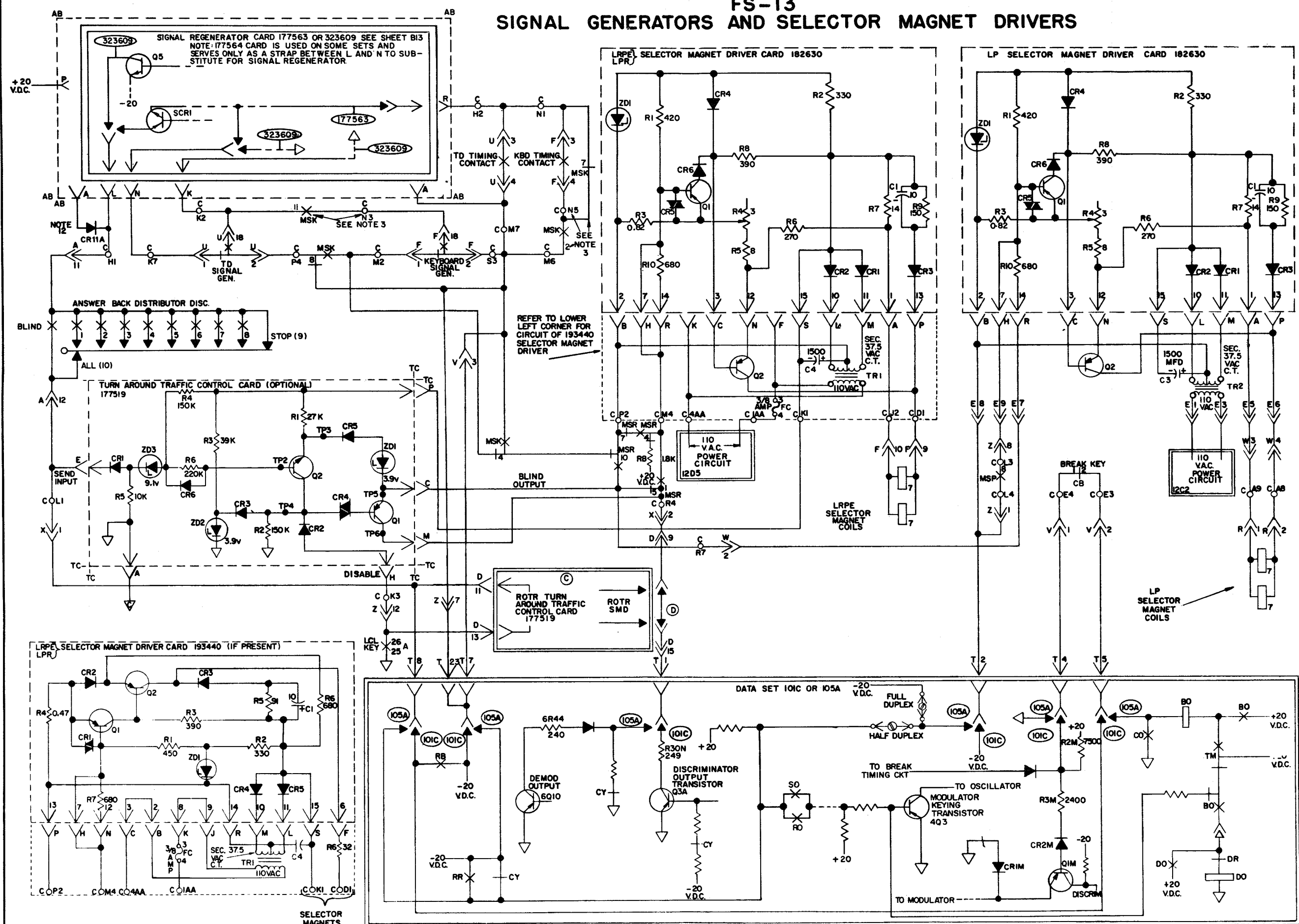
6000WD-B5

REVISIONS

ISSUE	DATE	AUTH. NO.
2	11-12-62	75072
3	12-13-62	75364
4	1-21-63	75588
5	8-9-63	77101
6	8-10-63	75085-1
7	4-9-64	81585
8	4-22-64	81585-1
9	9-1-64	83153
10	10-16-64	84122
11	12-21-64	84609
12	12-23-64	83811
13	5-10-65	86507-1
14	8-21-65	87583
15	7-28-65	88284
16	6-10-66	90658
17	10-27-66	91933-1
18	3-30-67	93019
19	5-8-68	95523-4
20	1-2-69	99875

NOTE:
REVISION INFORMATION MUST ALSO BE REFLECTED ON THE ISSUE CONTROL RECORD, WHICH IS A PART OF THIS DRAWING.
SEE ISSUE CONTROL RECORD FOR COMPLETE LIST OF SHEETS COMPRISING THIS W.D.

DETACHED SCHEMATIC WIRING DIAGRAM FOR TELETYPEWRITER SEIS (A S R)



SHEET B5

APPROVALS

D AND R
E OF M

E-NUMBER

PROD. NO. 6000WD-B5

DATE 8-20-62

P.D. FILE NO. G-A151AA

DRAWN J.A.P. CHKD. [Signature]
ENGD. R.D.S. APPD. [Signature]

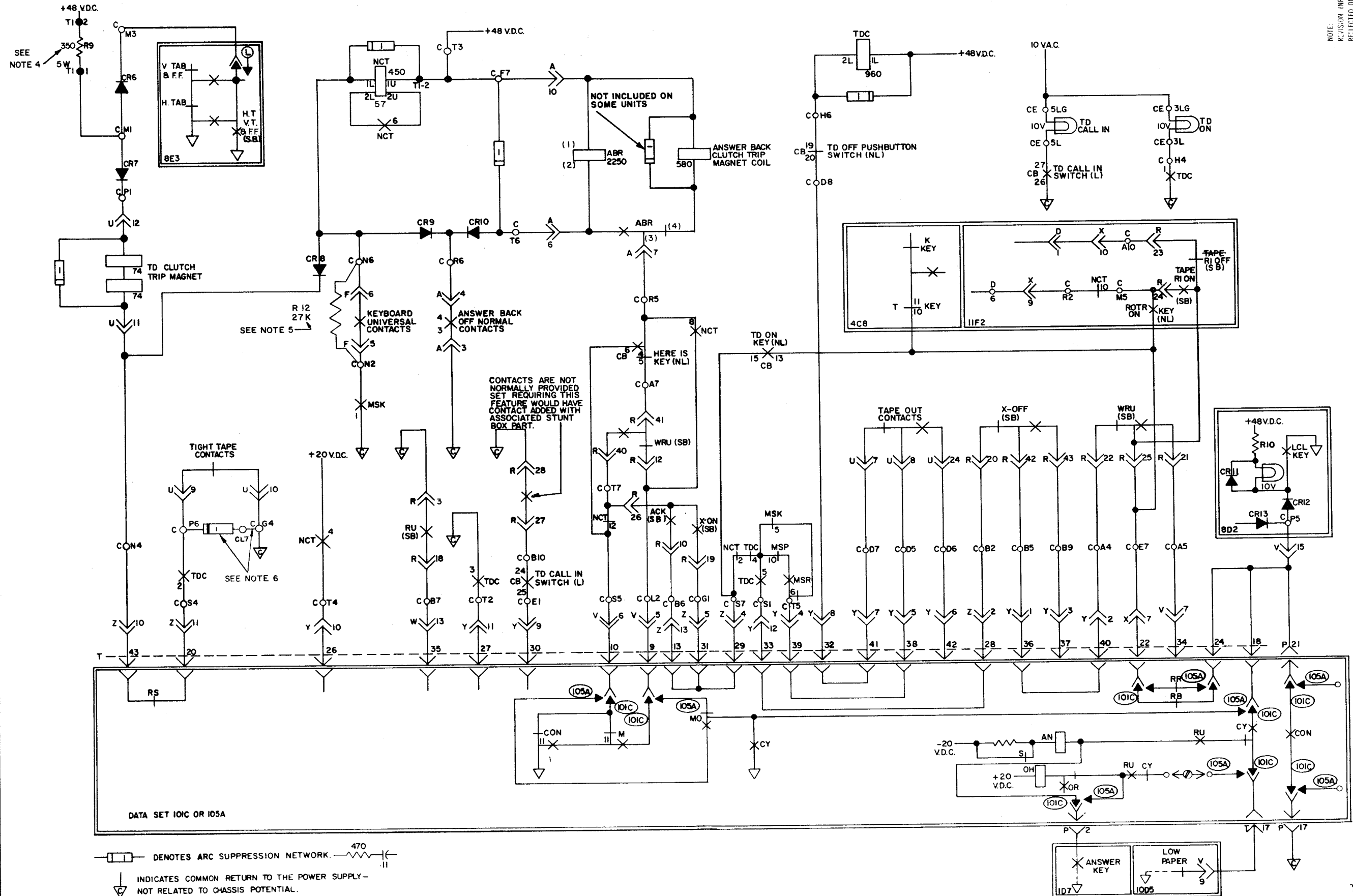
TELETYPE CORPORATION

6000WD-B5

REVISIONS

ISSUE	DATE	AUTH. NO.
2	11-12-62	75072
3	12-13-62	75364
4	8-20-64	83143
5	10-16-64	84122
6	12-21-64	84609
7	2-2-65	85509
8	3-15-65	86287
9	6-21-65	87583
10	4-6-66	90550
11	3-30-67	93019
12	6-29-67	94201
13	8-21-67	94324-B

FS-14
TD AND ANSWER BACK CONTROL CIRCUITS



NOTE: REVISION INFORMATION MUST ALSO BE REFLECTED ON THE ISSUE CONTROL RECORD WHICH IS A PART OF THIS DRAWING.

SEE CONTROL RECORD FOR COMPLETE LIST OF SHEETS COMPRISING THIS W/D

DETACHED SCHEMATIC WIRING DIAGRAM FOR TELETYPEWRITER SETS (A S R)

SHEET B6

APPROVALS

D AND R
E OF M

E-NUMBER

PROD. NO. 6000WD-B6

DATE 8-20-62

P.D. FILE NO. G-A151AA

DRAWN J.A.P. CHKD.

ENGD. A.B.R.D.S. APPD.

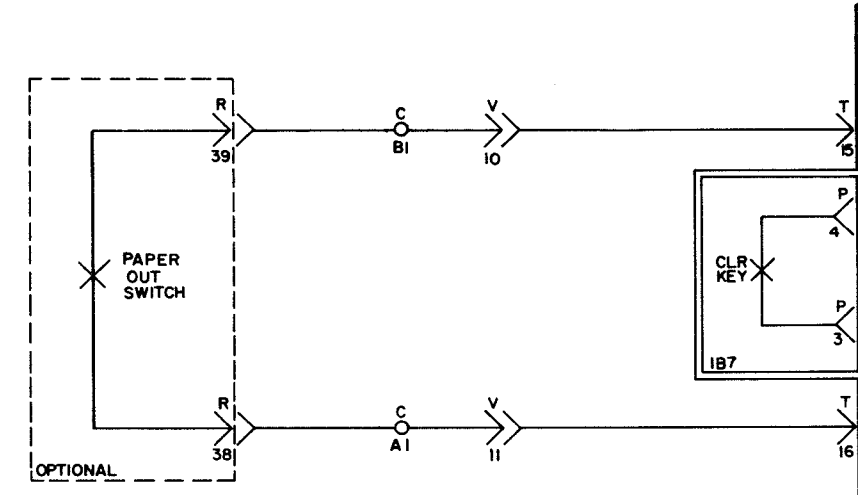
TELETYPE CORPORATION

NOTE:
REVISION INFORMATION MUST ALSO BE
REFLECTED ON THE ISSUE CONTROL REC-
ORD, WHICH IS A PART OF THIS DRAWING.

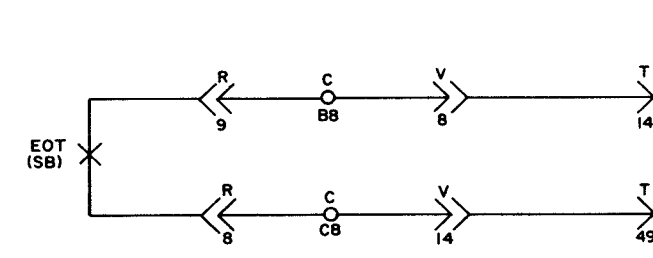
6000WD-B7

REVISIONS		
ISSUE	DATE	AUTH. NO.
2	12-13-62	75364
3	10-16-64	84122
4	12-21-64	84609
5	8-10-64	81109-1
6	6-21-65	87583
7	5-7-68	95810

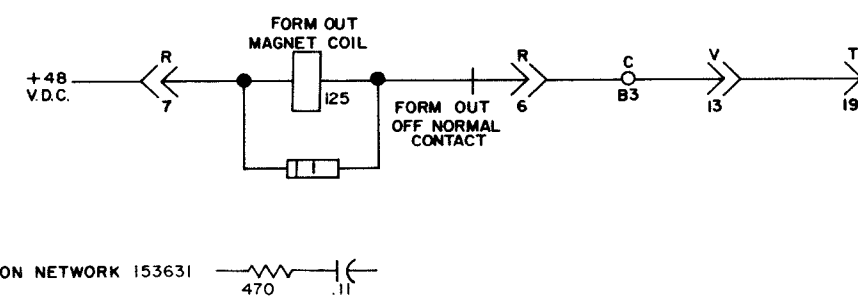
FS-15
PAPER OUT DISCONNECT



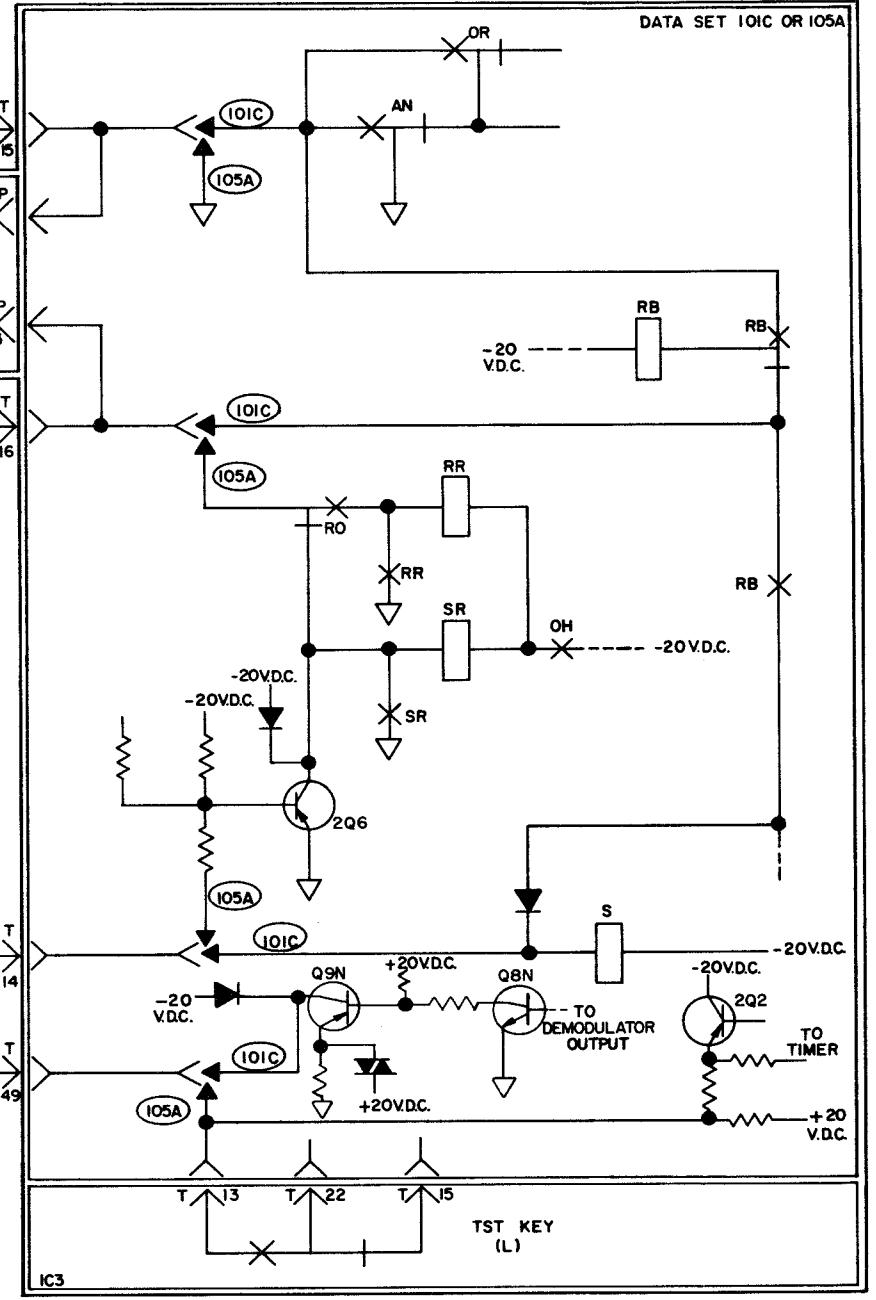
FS-17
EOT DISCONNECT



FS-16
FORM-OUT MAGNET COIL



— [] — DENOTES ARC SUPPRESSION NETWORK 153631
470 — [] —



SEE ISSUE CONTROL RECORD FOR COMPLETE LIST OF SHEETS COMPRISING THIS W.D.

DETACHED SCHEMATIC WIRING DIAGRAM FOR TELETYPEWRITER SETS (A S R)

SHEET B7

APPROVALS

D AND R <i>QAL</i>	E OF M <i>LI</i>
-----------------------	---------------------

E-NUMBER

PROD. NO. 6000WD-B7

DATE 8-20-62

P.D. FILE NO. G-A151AA

DRAWN J.A.P. CHKD. *[Signature]*

ENGD. A.B. APPD. *[Signature]*

TELETYPE CORPORATION

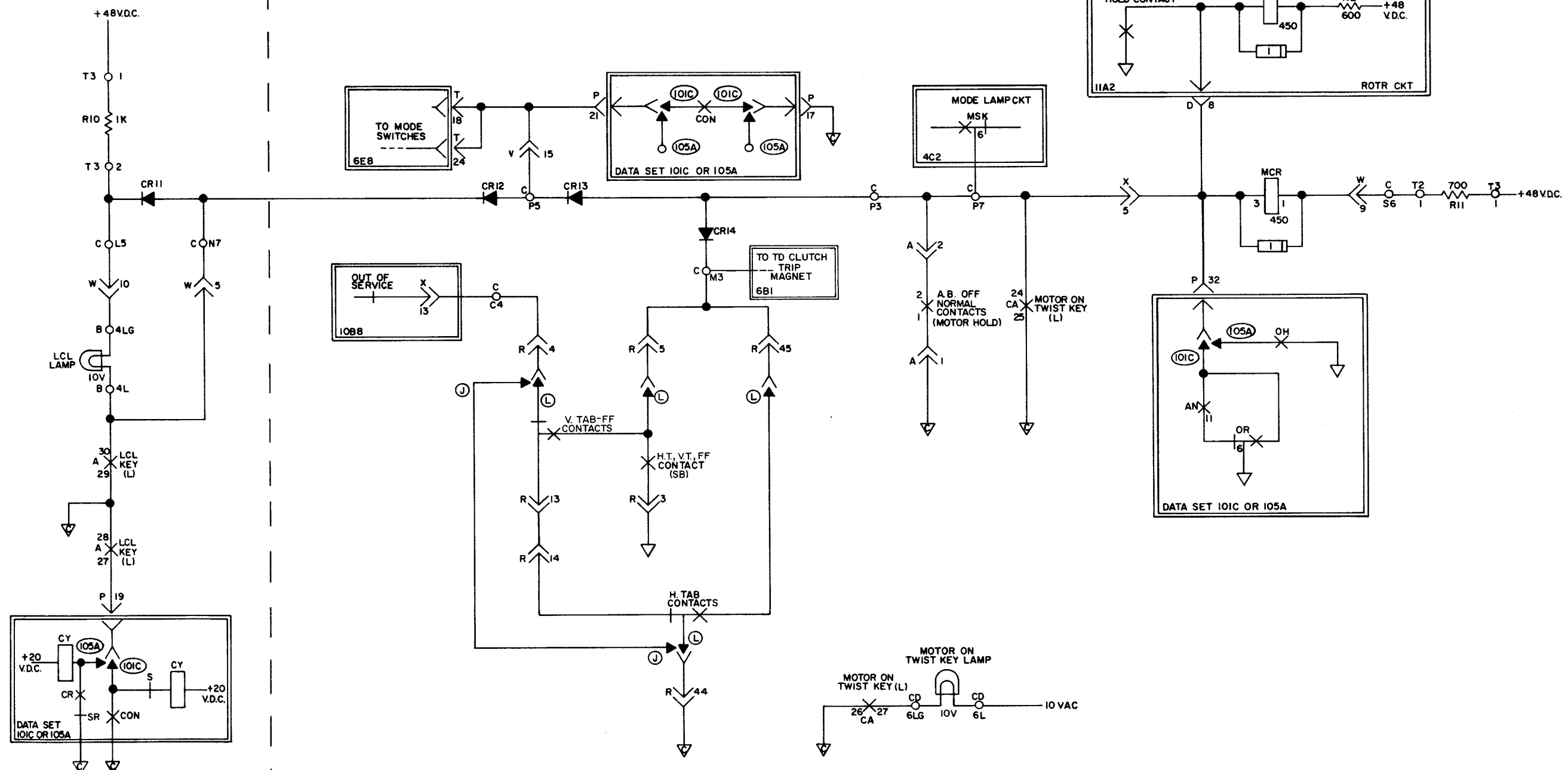
6000WD-B7

NOTE:
REVISION INFORMATION MUST ALSO BE REFLECTED ON THE ISSUE CONTROL RECORD, WHICH IS A PART OF THIS DRAWING.

REVISIONS		
ISSUE	DATE	AUTH. NO.
2	11-12-62	75072
3	12-13-62	75364
4	10-16-64	84122
5	12-21-64	84509
6	2-2-65	85509
7	3-15-65	86287
8	6-21-65	87583

FS-19 MOTOR CONTROL RELAY CIRCUIT

FS-18
LOCAL



DENOTES ARC SUPPRESSION NETWORK. 153631
 .11 470

INDICATES COMMON RETURN TO THE POWER SUPPLY— NOT RELATED TO CHASSIS POTENTIAL.

SEE ISSUE CONTROL RECORD FOR COMPLETE LIST OF SHEETS COMPRISING THIS W.D.

DETACHED SCHEMATIC WIRING DIAGRAM FOR TELETYPEWRITER SETS (A S R)

SHEET B8

APPROVALS

D AND R <i>D.A.L.</i>	E OF M <i>L.I.</i>
--------------------------	-----------------------

E-NUMBER
 PROD. NO. 6000WD-B8
 DATE 8-20-62
 P.D. FILE NO. G-A151AA
 DRAWN J.A.P. CHKD. *[Signature]*
 ENGD. A.B. R.D.S. APPD. *D.A.L.*

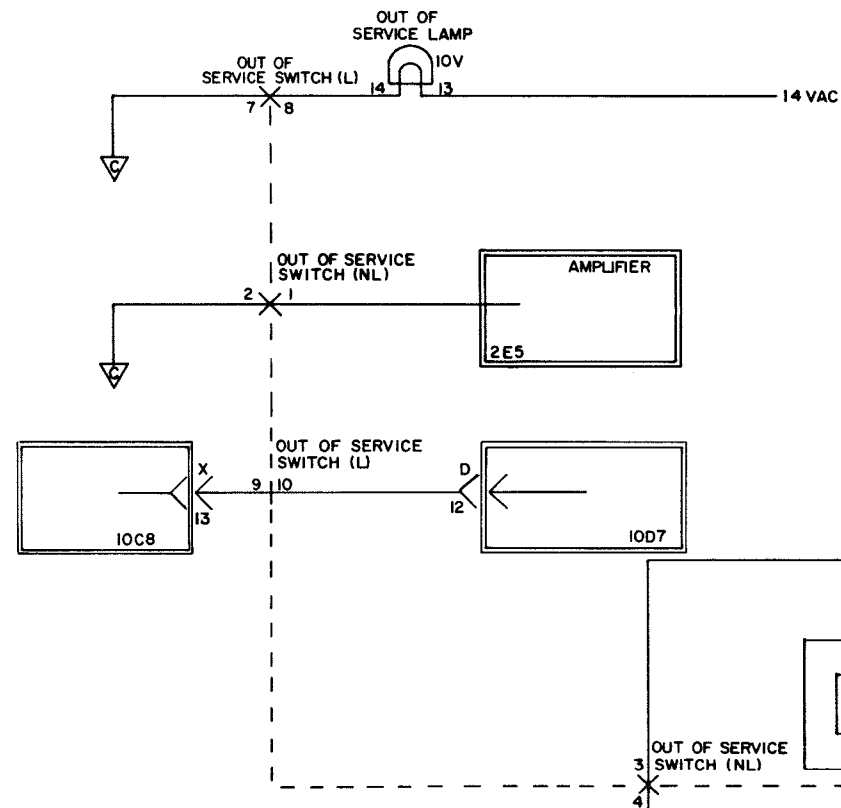
TELETYPE CORPORATION

NOTE:
REVISION INFORMATION MUST
ALSO BE REFLECTED ON THE
ISSUE CONTROL RECORD, WHICH
IS A PART OF THIS DRAWING.

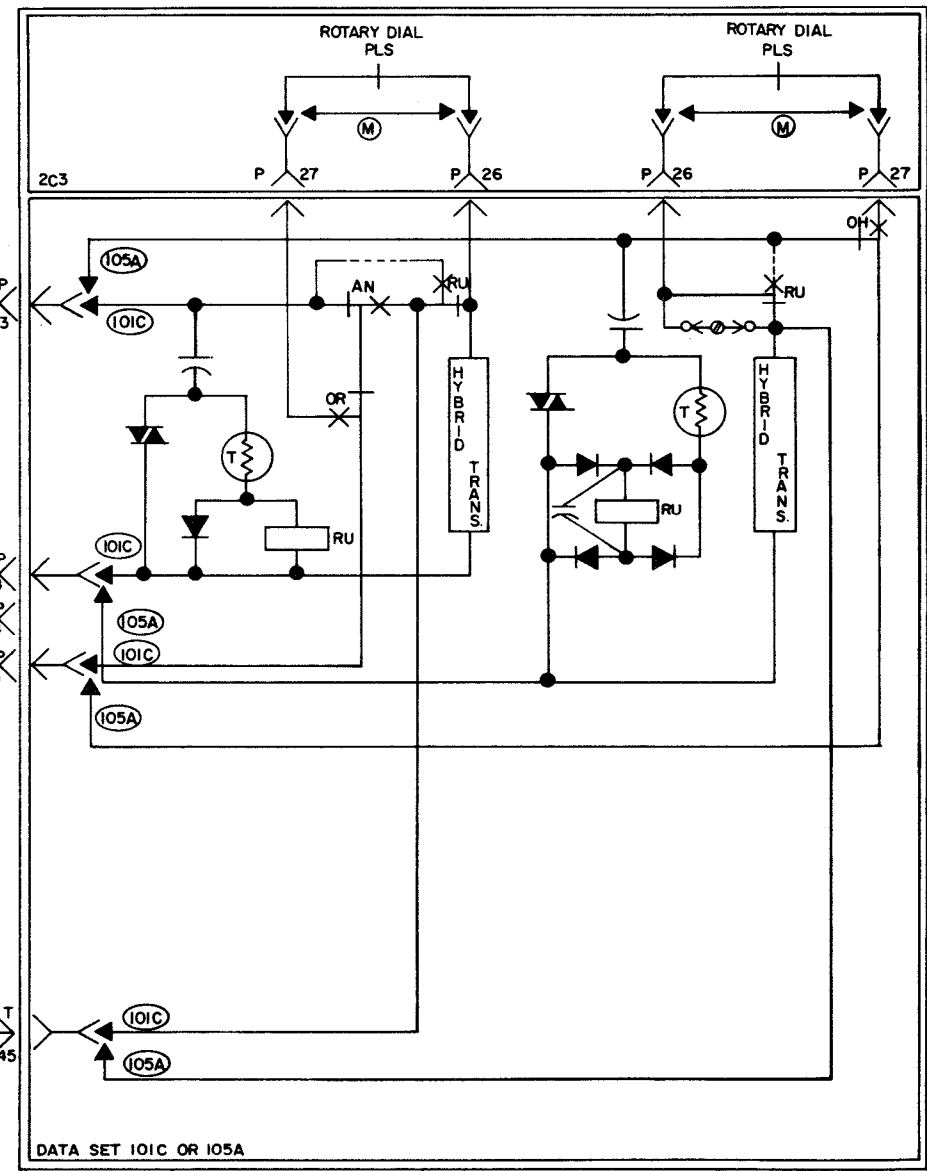
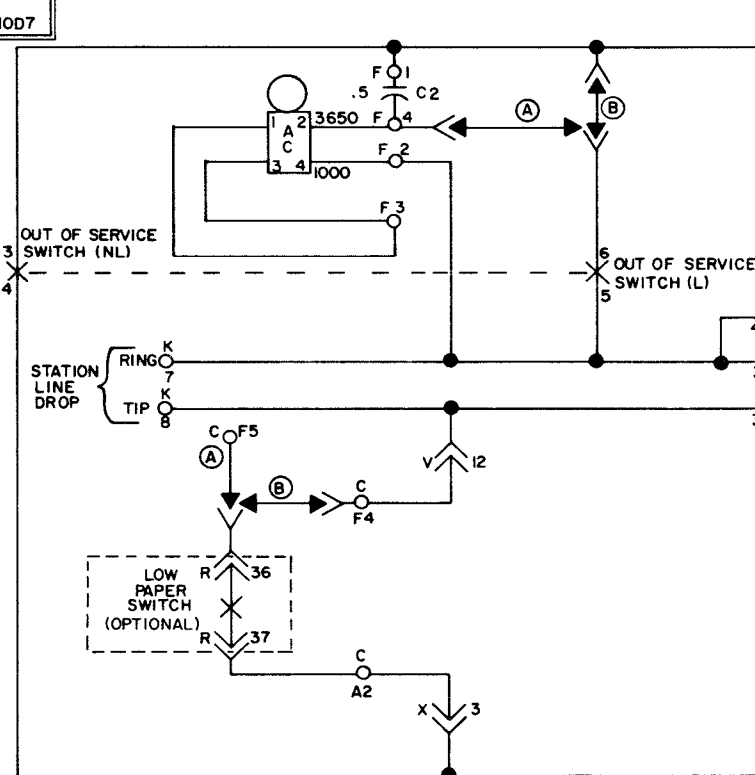
REVISIONS

ISSUE	DATE	AUTH. NO.
2	12-13-62	75364
3	8-10-64	81109-1
4	10-30-64	81109-2
5	3-15-65	86287
6	6-21-65	87583

FS-20
OUT OF SERVICE



FS-21
RINGER CIRCUIT
& OFF HOOK CIRCUIT



OUT OF SERVICE IS A THREE POSITION TWIST UNIT.
NORMAL - AS SHOWN
LOCKING - CCW TWIST FROM NORMAL
NON-LOCKING - CW TWIST FROM NORMAL.

INDICATES COMMON RETURN TO THE POWER SUPPLY-
NOT RELATED TO CHASSIS POTENTIAL.

SEE ISSUE CONTROL RECORD FOR
COMPLETE LIST OF SHEETS
COMPRISING THIS W.D.

DETACHED SCHEMATIC
WIRING DIAGRAM FOR
TELETYPEWRITER SETS
(A S R)

SHEET B9

APPROVALS

D AND R
E OF M

E-NUMBER

PROD. NO. 6000WD-B9

DATE 8-20-62

P.D. FILE NO. G-A151AA

DRAWN J.A.P. CHKD. [Signature]
ENGD. R.D.S. APPD. [Signature]

TELETYPE
CORPORATION

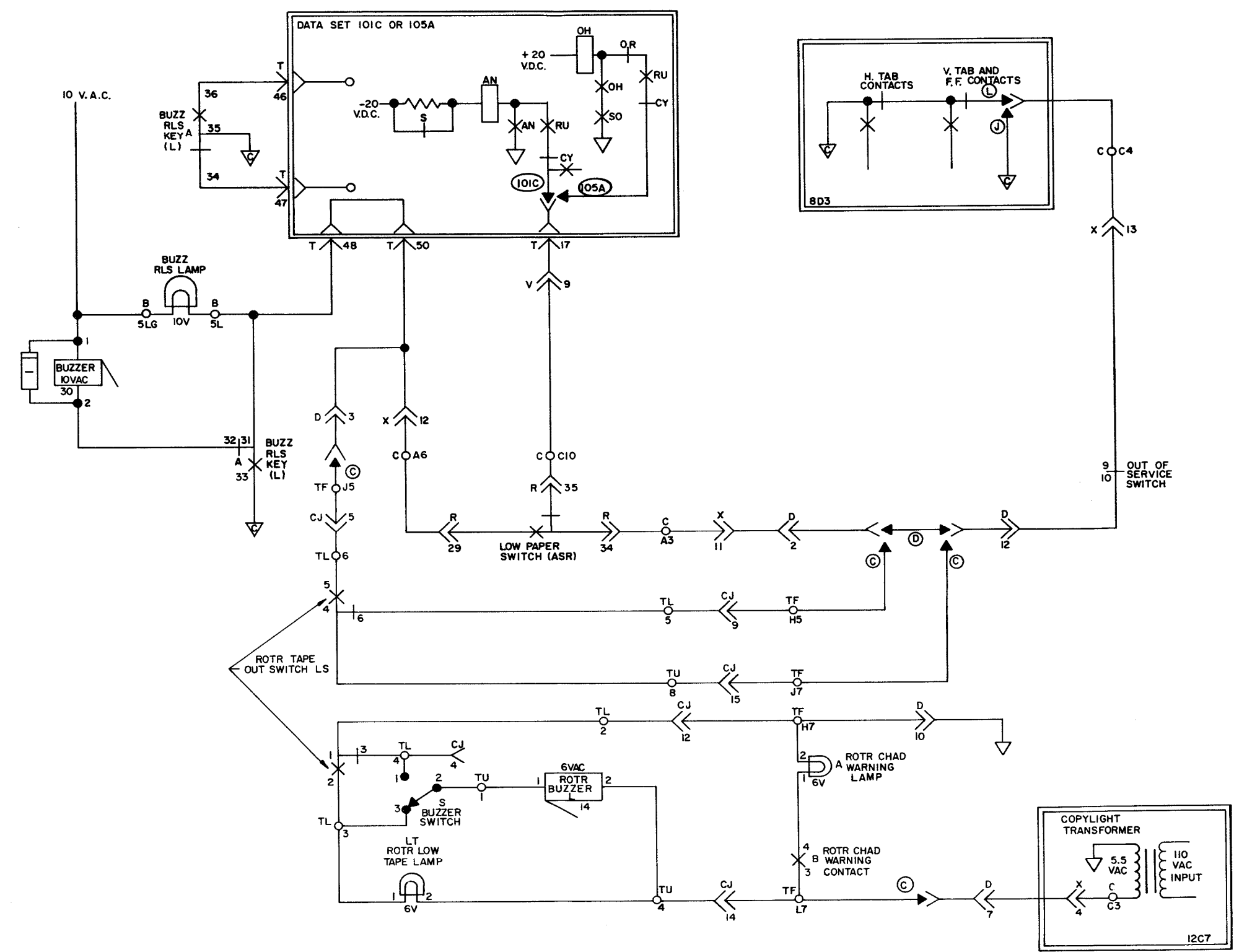
NOTE:
REVISION INFORMATION MUST
ALSO BE REFLECTED ON THE
ISSUE CONTROL RECORD, WHICH
IS A PART OF THIS DRAWING.

6000WD- B10

REVISIONS

ISSUE	DATE	AUTH. NO.
6	7-31-63	76470-1
7	9-26-63	76470-2
8	10-16-64	84122
9	12-21-64	84609
10	3-15-65	86287
11	6-21-65	87583

FS-22 PAPER ALARM



ROTR TAPE OUT SWITCH CONTACTS ARE SHOWN WITH FULL TAPE ROLL.

—|— DENOTES ARC SUPPRESSION NETWORK 153631 —|—

⏏ INDICATES COMMON RETURN TO THE POWER SUPPLY - NOT RELATED TO CHASSIS POTENTIAL.

SEE ISSUE CONTROL RECORD FOR COMPLETE LIST OF SHEETS COMPRISING THIS W.D.

DETACHED SCHEMATIC WIRING DIAGRAM FOR TELETYPEWRITER SETS (ASR)

SHEET B10

APPROVALS

D AND R <i>A.L.</i>	E OF M <i>1-7</i>
------------------------	----------------------

E-NUMBER

PROD. NO. 6000WD-B10

DATE 8-20-62

P.D. FILE NO. G-A151AA

DRAWN J.A.P. CHKD. *R.S.R.*

ENGD. A.B. R.D.S. APPD. *R.S.R.*

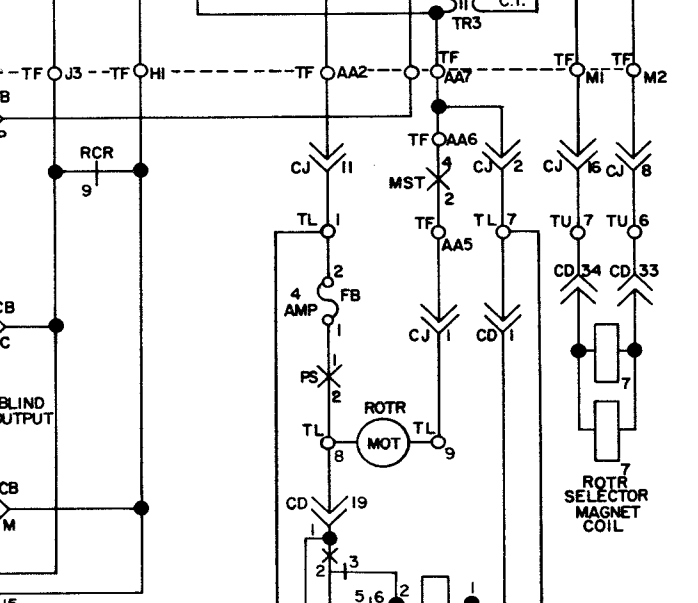
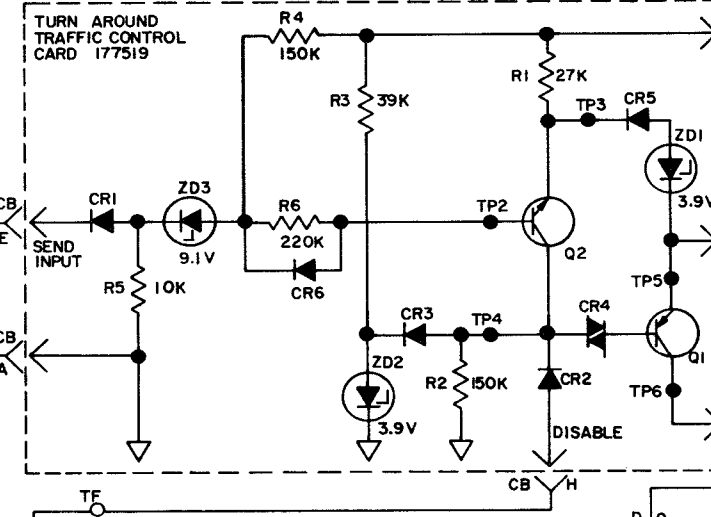
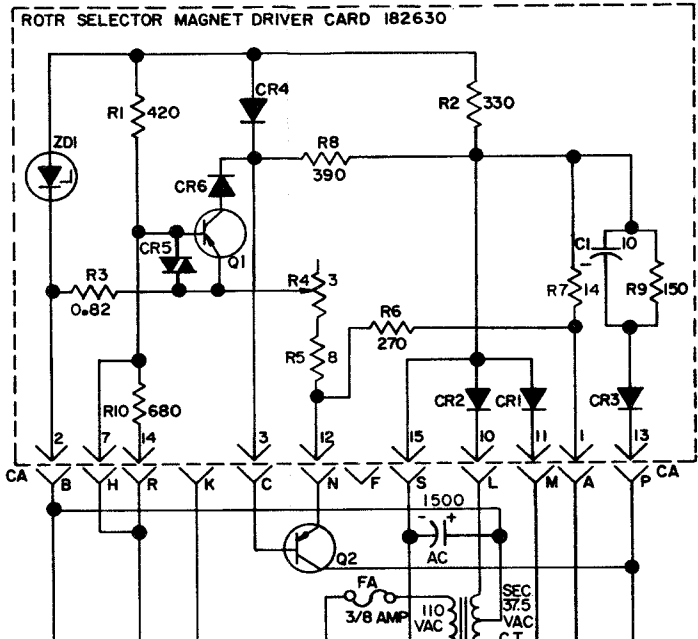
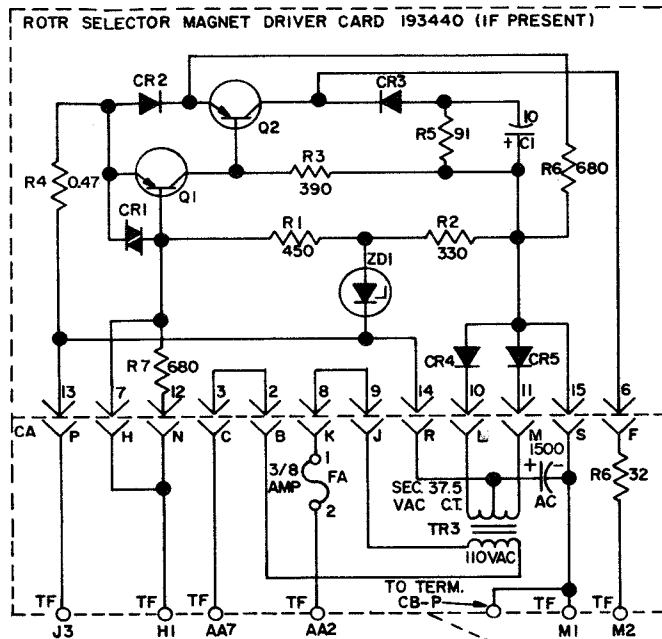
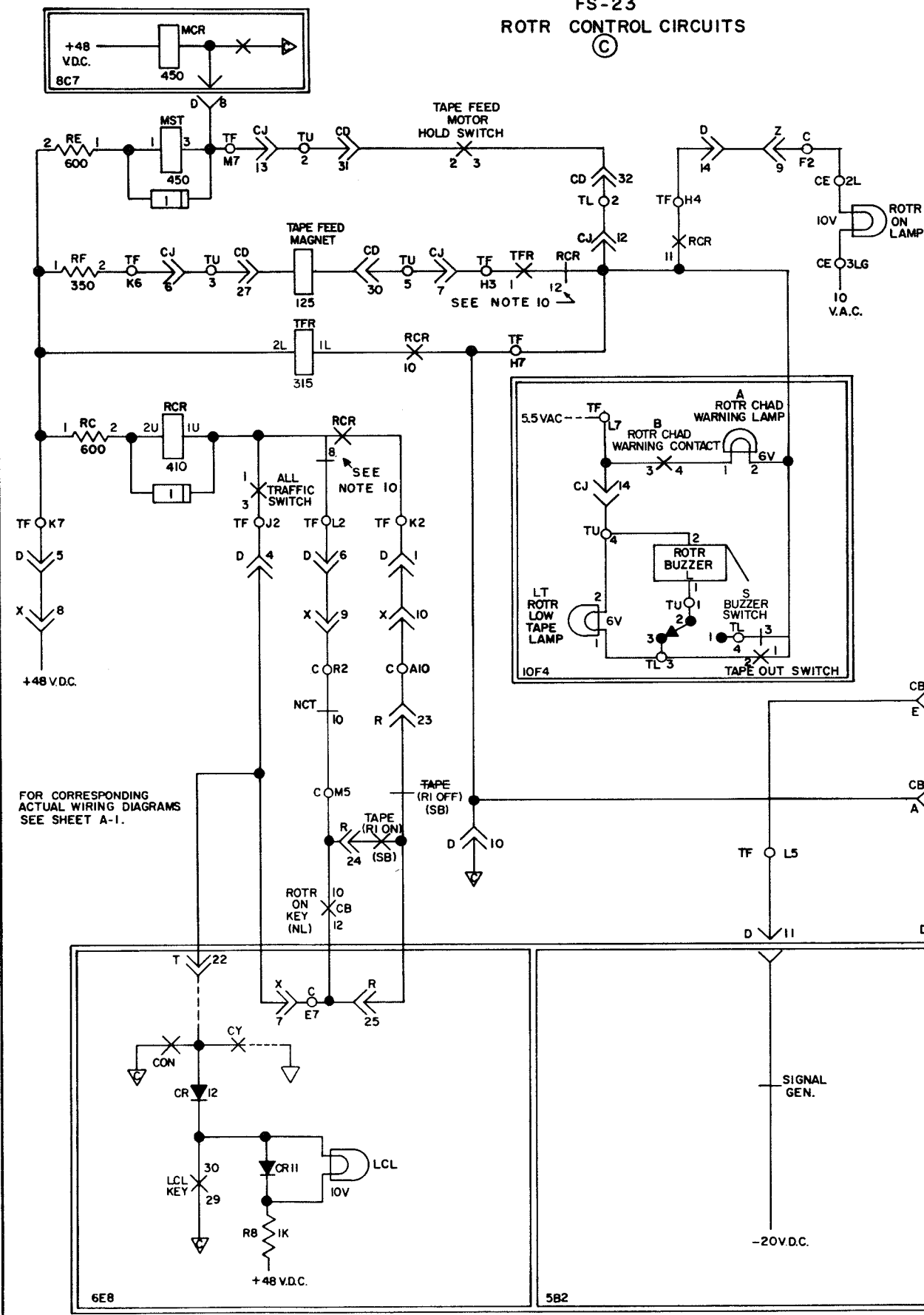
TELETYPE CORPORATION

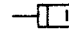

6000WD-B10

REVISIONS

ISSUE	DATE	AUTH. NO.
2	4-24-64	79414-1
3	9-1-64	83153
4	10-16-64	84122
5	12-21-64	84609
6	2-2-65	85509
7	3-15-65	86287
8	5-10-65	86507-1
9	6-21-65	87583
10	1-4-66	89490
11	5-8-68	95523-4
12	11-15-68	96529

FS-23 ROTR CONTROL CIRCUITS



 DENOTES ARC SUPPRESSION NETWORK 153631
 INDICATES COMMON RETURN TO THE POWER SUPPLY - NOT RELATED TO CHASSIS POTENTIAL.

NOTE: REVISION INFORMATION MUST ALSO BE REFLECTED ON THE ISSUE CONTROL RECORD, WHICH IS A PART OF THIS DRAWING. SEE ISSUE CONTROL RECORD FOR COMPLETE LIST OF SHEETS COMPRISING THIS W.D.

DETACHED SCHEMATIC WIRING DIAGRAM FOR TELETYPEWRITER SETS (A SR)

SHEET B11

APPROVALS

D AND R *a.A.L.* E OF M

E-NUMBER

PROD. NO. 6000WD-B11

DATE 8-20-62

P.D. FILE NO. 6-A75/AA

DRAWN J.A.P. CHKD. *a.A.L.*

ENGD. A.B. R.D.S. APPD. *a.A.L.*

TELETYPE CORPORATION

6000WD-B11

FS-24 POWER AND CABINET CIRCUITS

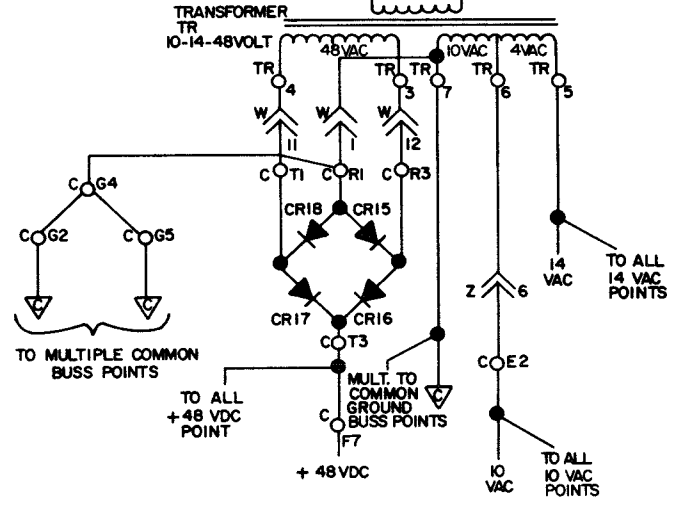
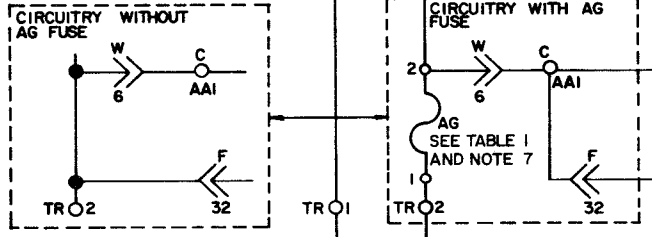
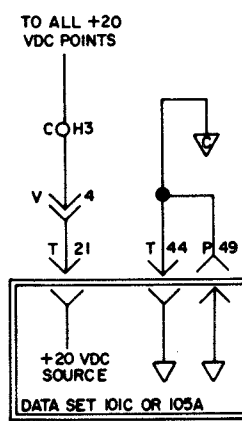
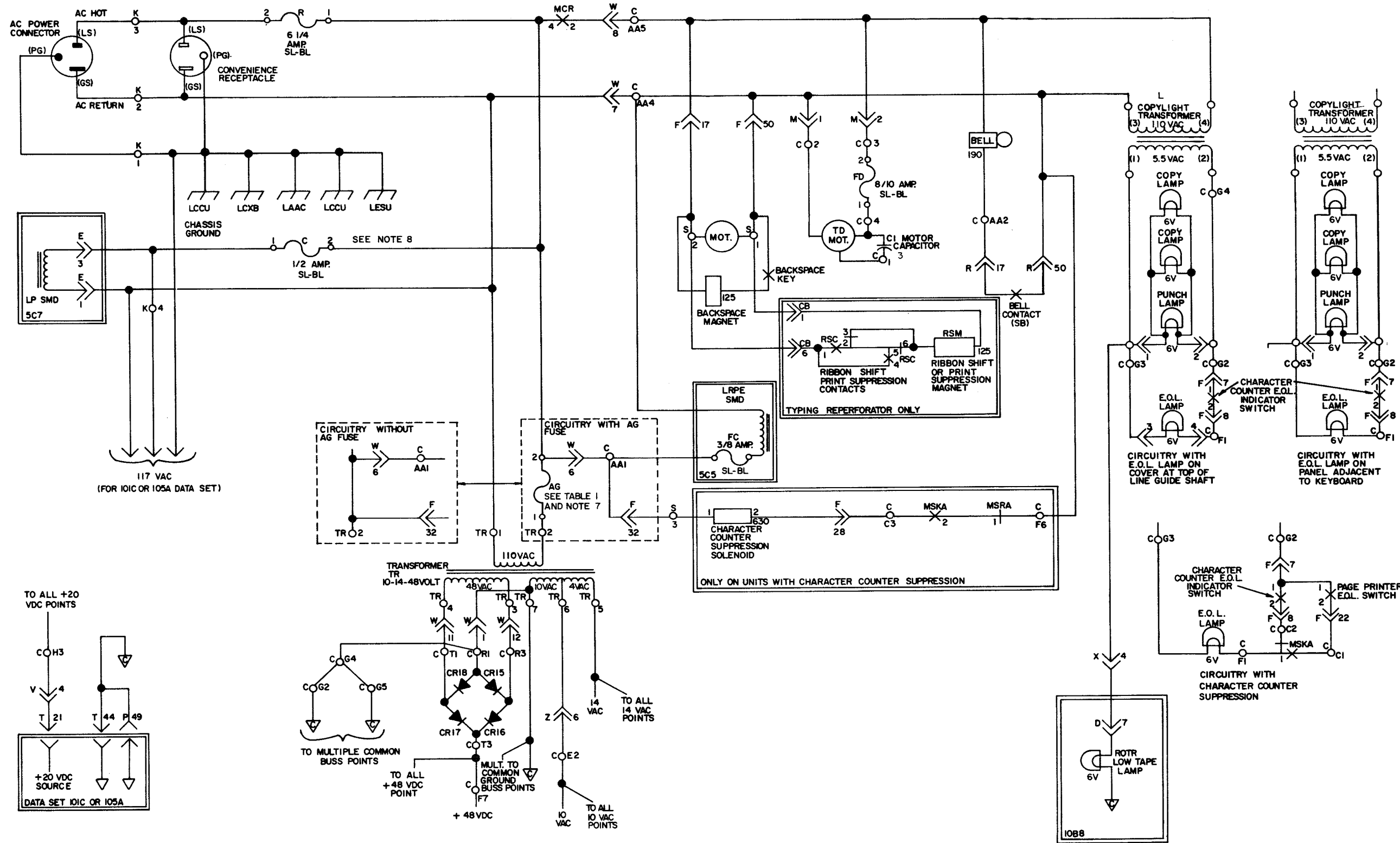
SEE ISSUE CONTROL SHEET FOR NOTES.

NOTE:
REVISION INFORMATION MUST ALSO BE REFLECTED ON THE ISSUE CONTROL RECORD, WHICH IS A PART OF THIS DRAWING.

6000WD-B12

REVISIONS

ISSUE	DATE	AUTH. NO.
2	11-12-62	75072
3	12-13-62	75364
4	3-1-63	75461
5	3-5-63	75882
6	3-10-64	81103
7	6-18-64	82025
8	10-16-64	84122
9	11-16-64	84334
10	12-21-64	84609
11	1-5-65	85704
12	2-2-65	85509
13	2-15-65	84599-1
14	6-21-65	87583
15	8-6-65	88293
16	8-22-67	94324-B



TRANSFORMER	FUSE AG	PART NO.
181879	1/2 AMP SL-BL	117176
182657	8/10 AMP SL-BL	162360

INDICATES COMMON RETURN TO THE POWER SUPPLY - NOT RELATED TO CHASSIS POTENTIAL.

SEE ISSUE CONTROL RECORD FOR COMPLETE LIST OF SHEETS COMPRISING THIS W.D.

DETACHED SCHEMATIC WIRING DIAGRAM FOR TELETYPEWRITER SETS (A S R)

SHEET B12

APPROVALS

D AND R <i>D.A.V.</i>	E OF M <i>[Signature]</i>
--------------------------	------------------------------

E-NUMBER
 PROD. NO. 6000WD-B12
 DATE 8-20-62
 P.D. FILE NO. G-A151AA
 DRAWN J.A.P. CHKD. *[Signature]*
 ENGD. A.B. R.D.S. APPD. *[Signature]*

TELETYPE CORPORATION

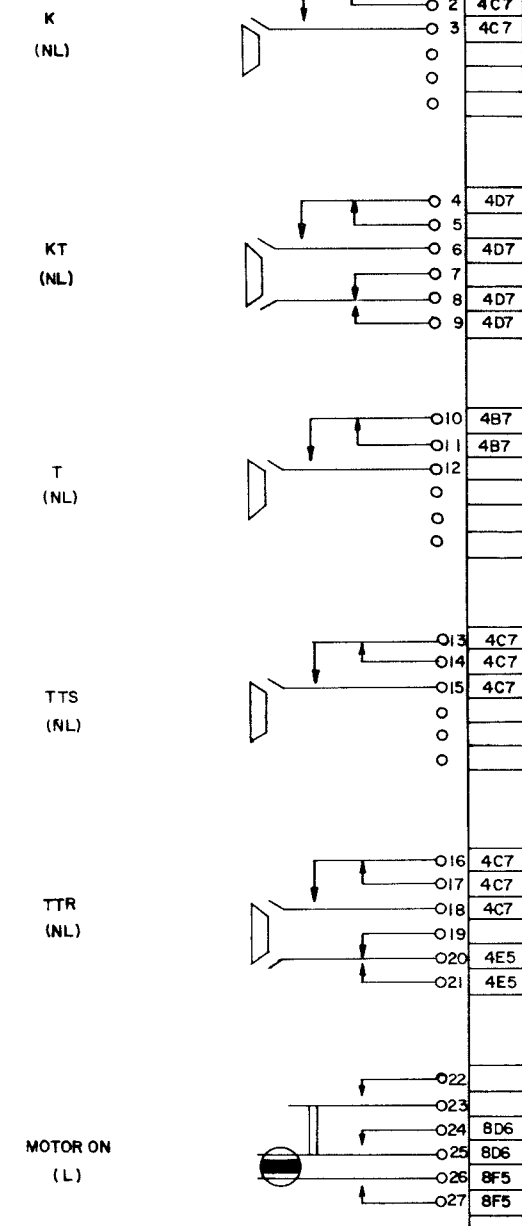
6000WD-B12

TERMINAL BOARD

DESIG	C
PART NO	193422
TERM	LOC
AA1	12D5
AA2	12C7
AA3	
AA4	~
AA5	12B5
A1	7B6
A2	9F5
A3	10D6
A4	6E7
A5	6E8
A6	10D4
A7	6C5
A8	5D8
A9	5D8
A10	11D3
B1	7A6
B2	6E7
B3	7E3
B4	SPARE
B5	6E7
B6	6E5
B7	6E3
B8	7D7
B9	6E7
B10	6D4
C1	
C2	
C3	
C4	10C8
C5	
C6	
C7	
C8	7D5
C9	
C10	10D5
D1	5D6
D2	
D3	SPARE
D4	SPARE
D5	6E6
D6	6E6
D7	6E6
D8	6B6
D9	
D10	
E1	6E4
E2	12F5
E3	5D7
E4	5D7
E5	
E6	
E7	6E7
F1	12E8
F2	11A5
F3	
F4	9E4
F5	9E4
F6	
F7	12F4
G1	6E5
G2	12E3
G3	12D7
G4	12E3
G5	12E3

TERM	LOC
H1	5C1
H2	5A4
H3	12E1
H4	6B7
H5	4D5
H6	6B6
J2	5D6
J3	4C3
J4	4C2
J5	4C1
J6	4C2
J7	
K1	5D6
K2	5B2
K3	5E3
K4	4D6
K5	4C7
K6	4C3
K7	5C1
L1	5D1
L2	6D5
L3	5D6
L4	5D6
L5	8D1
L6	4C7
L7	
M1	6A1
M2	5C3
M3	8D4
M4	5C5
M5	11E2
M6	5C4
M7	5B4
N1	5A4
N2	6C3
N3	5B4
N4	6D1
N5	5B3
N6	6B3
N7	8D2
P1	6B1
P2	5C4
P3	8C5
P4	5C2
P5	8C3
P6	6D1
P7	8C5
R1	12E4
R2	11D2
R3	12E4
R4	5D5
R5	6B4
R6	6B3
R7	5E5
S1	6E5
S2	4D1
S3	5C4
S4	6E1
S5	6E4
S6	8C8
S7	6E5
T1	12E3
T2	6E3
T3	12F4
T4	6D2
T5	6E6
T6	6B4
T7	6D4 5D5 12B5

MODE SWITCH
PART NO 182583
DESIGNATION CA

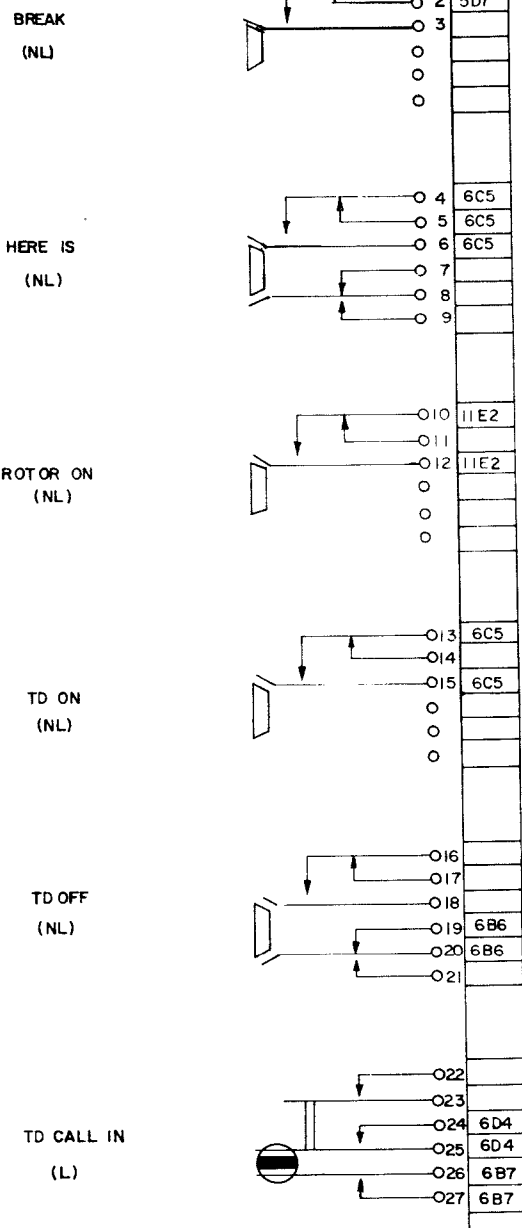


RELAY

DESIG	MSR	MSK	MSP	TDC	NCT
PART #	179173	179173	171503	171503	145022
CODE	AJ79	AJ79	AK8	AK8	AG-22
	CONT ARR	LOC.	CONT ARR	LOC.	CONT ARR
12			M	4C6	B
11	M	4C5	M	5B4	M
10	EBM	5D4	EBM	4C6	EBM
9		4C6		4C6	EBM
8	EMB	4C3	EMB	5B2	EM
7	B	5C4	B		
6	EBM	6E5	EBM	4B2	
5	B	5D5	B	6D6	EM
4	PMEB	5C5	PMEB	5D4	
3					EBM
2	PBEM	4C1	PBEM	5B3	
1	M	5D5	M	6C3	
COIL		4B4		4B6	

(PART OF)
APPARATUS FIGURE I

MODE SWITCH
PART NO 182583
DESIGNATION CB



PRINTED CIRCUIT CARDS

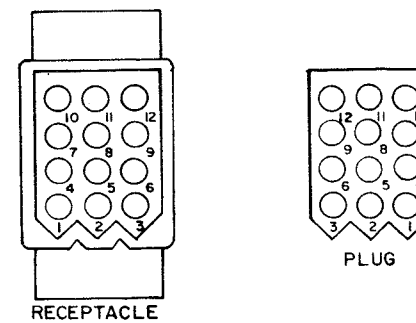
DESIG.	PART NO.	LOC.
SIGNAL REGENERATOR	177563 OR 4	5A2
LRPE SELECTOR MAGNET DRIVER	193440 OR 182630	5B5
LP SELECTOR MAGNET DRIVER	182630	5B7

TERMINAL STRIP

DESIG.	T1	T2	T3
PART NO.	114654	114654	114654
TERM.	LOC.	LOC.	LOC.
1	6A1	8C8	a
2	a	4D1	8C1
	4E1	6A1	8C1
			8C9

CONNECTOR

DESIG.	COPYRIGHT	COPYRIGHT
PART NO.	1006570 (CABLES)	199322 (CHASSIS)
TERM.	LOC.	LOC.
1	12C8	12D8
2	12C8	12D8
3		12E8
4		12E8



PART NO.	182648	182647
MTG	CHASSIS	CABLE

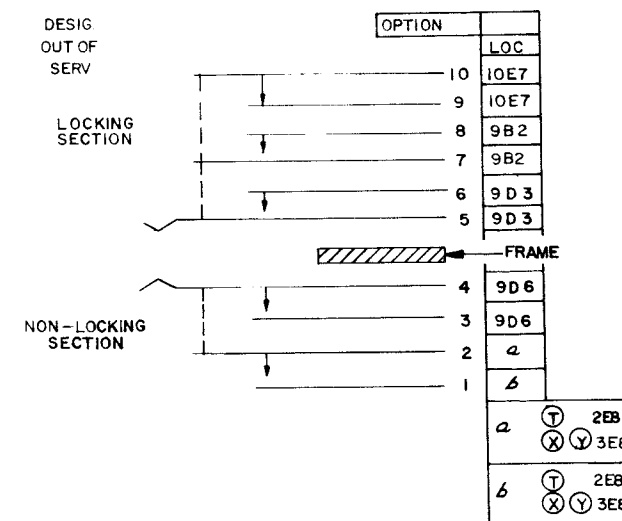
TERMINAL NUMBERING AS VIEWED FROM TERMINAL END.

TERMINALS ARE INDIVIDUALLY INSERTED AND MAY BE EITHER MALE OR FEMALE.

INSERT	PART NO.
MALE	182643
FEMALE	182644

KEY

PART NO. 182688



NOTE:
REVISION INFORMATION MUST ALSO BE REFLECTED ON THE ISSUE CONTROL RECORD, WHICH IS A PART OF THIS DRAWING.

6000WD-C1

REVISIONS

ISSUE	DATE	AUTH. NO.
3	12-13-62	75364
4	1-21-63	75588
5	12-21-64	84609
6	2-2-65	85509

CONNECTOR

DESIG.	A
PART NO	182647
TERM.	LOC.
1	8D5
2	8D5
3	6C3
4	6C3
5	
6	6B4
7	6B4
8	
9	
10	6A4
11	5C1
12	5C1

SEE ISSUE CONTROL RECORD FOR COMPLETE LIST OF SHEETS COMPRISING THIS W.D.

APPARATUS FIGURE FOR TELETYPEWRITER SETS (A S R)

APPROVALS

D AND R	E OF M
---------	--------

E-NUMBER

PROD. NO. 6000WD-C1

DATE 10-4-62

P.D. FILE NO. G-A151AA

DRAWN G.H.L.

CHKD J.M.

ENGD. W.E.C.

APPD J.S.

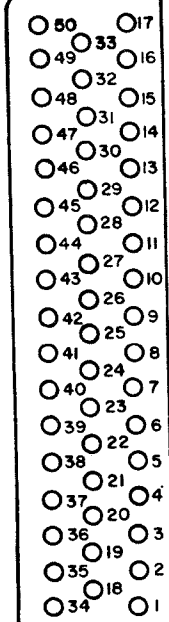
TELETYPE CORPORATION

6000WD-C1

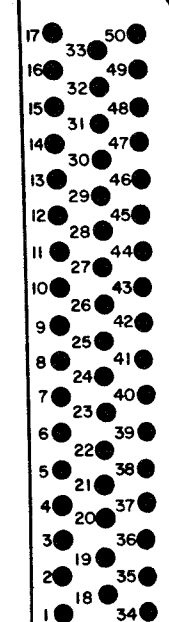
(PART OF)
APPARATUS FIGURE I.

6000WD-C2

CONNECTOR
50PIN



CONNECTOR
50PIN



CONNECTOR

DESIG.	F	R	U
PART NO.	192013 192014	192013 192014	192013 192014
TERM.	LOC.	LOC.	LOC.
1	5C3	5E8	5C2
2	5C3	5E8	5C2
3	5B4	6D3	5B4
4	5B4	8D3	5B4
5	6C3	8D4	
6	6C3	7E3	
7	12E8	7E1	6D6
8	12E8	7D6	6D6
9	5D6	7D6	6D1
10	5D6	6E5	6D2
11			6C1
12		6D5	6B1
13		8E3	
14		8E3	
15			
16			
17	12B5	12D7	
18	5B3	6D3	5B2
19		6D5	
20		6D7	
21		6D7	
22		6D7	
23		11E3	
24		11E3	6D6
25		6D7	
26		6D5	
27		6D4	
28		6C4	
29		10D5	
30			
31		12D5	
33			
34		10D5	
35		10D5	
36		9F3	
37		9F3	
38		7B5	
39		7A5	
40		6C4	
41		6C5	
42		6D7	
43		6D7	
44		8F3	
45		8D4	
46			
47			
48			
49			
50	12B5	12D7	

182732
CONNECTOR

50	25
49	24
48	23
47	22
46	21
45	20
44	19
43	18
42	17
41	16
40	15
39	14
38	13
37	12
36	11
35	10
34	9
33	8
32	7
31	6
30	5
29	4
28	3
27	2
26	1

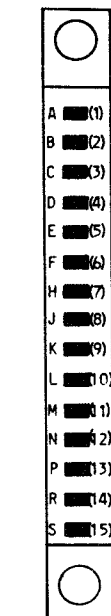
CONNECTOR

DESIG.	P	T
PART NO.	182733	182732
TERM.	LOC.	LOC.
1	1D7	5E5
2	1D7	5E6
3	1B7	
4	1B7	5E7
5	1F7	5E7
6	1F7	
7	1F2	5E3
8	1E2	5E1
9	1E2	6E5
10	1B2	6E4
11	1B2	
12	1B2	
13	1D2	6E5
14	1B2	7D8
15	1C2	7A7
16	1D2	7B7
17	6F8	10C5
18		6E8
19	8F1	7E4
20	2C3	6E1
21	6E8	12E1
22	1C2	6E7
23	2C3	5E3
24	a	6E8
25	b	
26	2C3	6E2
27	2C3	6E3
28		6E7
29	3D2	6E5
30	3B2	6E4
31	c	6E5
32	8D7	6E6
33	9D6	6E5
34	9D6	6E8
35	9E6	6E3
36	1C7	6E7
37	1C7	6E7
38	1C7	6E6
39	1E7	6E6
40	1B2	6E7
41	3D2	6E6
42	3D2	6E6
43		6E1
44	9E6	12E2
45	1A2	9F6
46	1E2	10B4
47	3C2	10B4
48		10C4
49	12E2	7D8
50		10C4

182733
CONNECTOR

25	50
24	49
23	48
22	47
21	46
20	45
19	44
18	43
17	42
16	41
15	40
14	39
13	38
12	37
11	36
10	35
9	34
8	33
7	32
6	31
5	30
4	29
3	28
2	27
1	26

15 PIN
RECEPTACLE



CONNECTOR

DESIG.	LP
PART NO.	181819
TERM.	LOC.
A	5C8
B	5C6
C	5C7
D	
E	
F	
G	
H	5C6
I	
J	
K	
L	5C8
M	5C8
N	5C7
P	5C8
R	5C7
S	5C7

TERMINAL BOARD

DESIG.	H	H
PART NO.	182717	182717
OPTION	(X)(Y)(M)	(T)(U)
TERM.	LOC.	LOC.
1	3D2	
2	3D2	
3	3C2	
4	3F2	
5	3E2	2E3
6	3C2	
7		
8	3E4	
9	3E4	
10	3E3	2F3
11	3D2	
12	3E5	2E5
13	3E5	
14	3B2	2C5
15		2C3
16		2C3
17	3F8	2F7
18	3F8	2F7

NO. 181819 SOME UNITS CONTAIN
182536 CONNECTOR

BUZZER

DESIG.	LOC.	PART NO.
BUZZER	10C3	182718

RINGER

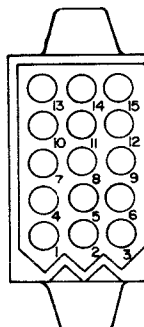
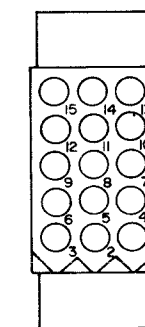
DESIG.	LOC.	PART NO.
RINGER	9D5	182503

SPEAKER

DESIG.	LOC.	PART NO.
SPEAKER	2F8 3F8	193478

TERMINAL BOARD

DESIG.	K
PART NO.	151411
TERM.	LOC.
1	12B1
2	12B2
3	12B2
4	12C3
5	a
6	b
7	9E5
8	9E5
9	
a	(X)(Y) 2F7
b	(X)(Y) 3F7
	(X)(Y) 2F7
	(X)(Y) 3F7

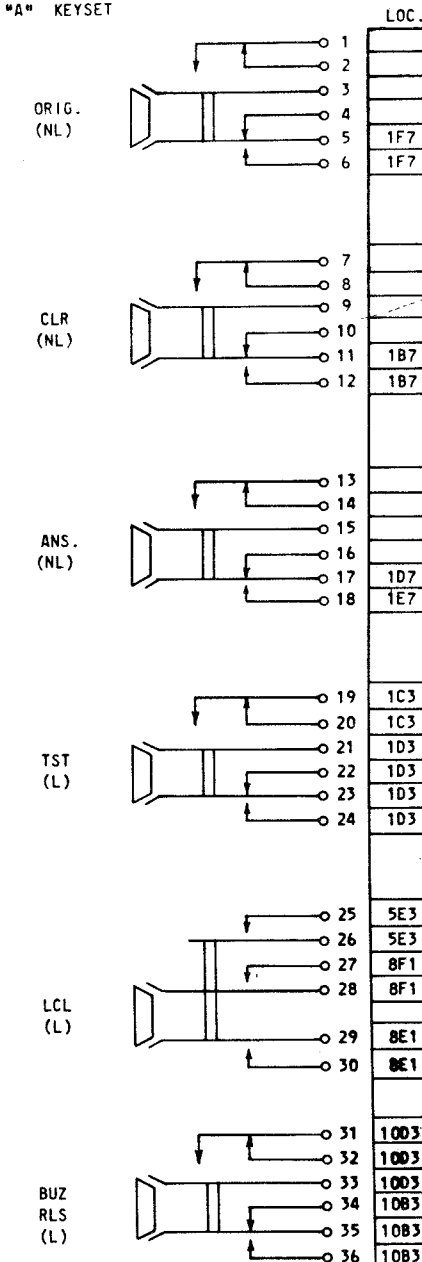


PART NO.	182539	182540
MTG.	CHASSIS	CABLE

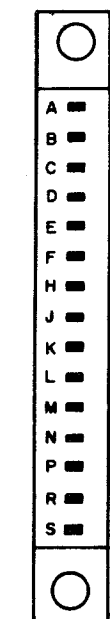
TERMINAL NUMBERING AS
VIEWED FROM TERMINAL END
TERMINALS ARE INDIVIDUALLY
INSERTED AND MAY BE EITHER
MALE OR FEMALE

INSERT	PART NO.
MALE	182643
FEMALE	182644

"A" KEYSET



15 PIN
RECEPTACLE



CONNECTOR

DESIG.	T C	SMD	AB
PART NO.	193040	193040	193040
TERM.	LOC.	LOC.	LOC.
A	5E1	5C6	5B3
B		5C4	
C	5D3	5C5	
D			
E	5D1		
F		5C6	
H	5E3	5C4	
J		5C5	
K		5C5	5B2
L		5C6	5B1
M	5D3	5C6	
N		5C5	5B1
P	5D3	5C6	
R		5C5	5B3
S		5C6	

WIRE GAUGE	182718	182718	182718
182718	182718	182718	182718

WIRE GAUGE	182718	182718	182718
182718	182718	182718	182718

REVISIONS

ISSUE	DATE	AUTH. NO.
3	12-13-62	75364
4	1-21-63	75588
5	4-21-64	75390-1
6	12-21-64	84609
7	2-2-65	85509
8	6-10-66	90658
9	5-8-68	95523-4
10	5-16-69	99164

NOTE:
REVISION INFORMATION MUST
ALSO BE REFLECTED ON THE
ISSUE CONTROL RECORD, WHICH
IS A PART OF THIS DRAWING.

SEE ISSUE CONTROL RECORD FOR
COMPLETE LIST OF SHEETS
COMPRISING THIS W.D.

APPARATUS FIGURE FOR
TELETYPEWRITER SETS
(A S R)

APPROVALS

D AND R	E OF M
<i>[Signature]</i>	<i>[Signature]</i>

E-NUMBER

PROD. NO. 6000WD-C2

DATE 10-4-62

P.D. FILE NO. G-A151AA

DRAWN G.C.K. CHKD *[Signature]*

ENGD. W.E.C. APR 8 1962

TELETYPE
CORPORATION

6000WD-C2

SEE ISSUE CONTROL SHEET FOR NOTES.

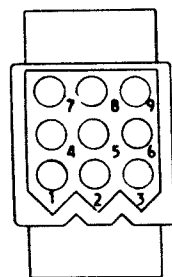
(PART OF)
APPARATUS FIGURE I.

NOTE:
REVISION INFORMATION MUST ALSO BE REFLECTED ON THE ISSUE CONTROL RECORD, WHICH IS A PART OF THIS DRAWING.

6000WD-C3

REVISIONS

ISSUE	DATE	AUTH. NO.
2	12/13/62	7538
3	3-5-63	75882
4	4-9-65	75471-1
5	3-10-64	81103
6	12-21-64	84609
7	2-2-65	85509
8	2-15-65	84599-1
9	3-15-65	86287
10	8-6-65	88293
11	9-2-65	88068
12	8-22-67	94324-B
13	5-8-68	95523-4
14	12-13-68	96463
15	1-2-70	99875

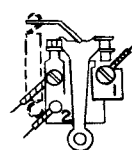


CONNECTOR

DESIG.	E
PART NO.	182645
	182716
TERM.	LOC.
1	5D7
2	
3	5D7
4	
5	5D8
6	5D8
7	5C7
8	5C7
9	5C7

SIGNAL GENERATOR CONTACT BOX ASSEMBLY (KBD.)

DESIG.	
PART NO.	176352
TERM.	LOC.
1	5B3
2	5B3
3	5B3



SIGNAL GENERATOR CONTACT BOX ASSEMBLY (TD)

DESIG.	
PART NO.	192600
TERM.	LOC.
1	5C2
2	5C2
3	5C2

PART NO.	182716	182645
MTG.	CHASSIS	CABLE

TERMINAL NUMBERING AS VIEWED FROM TERMINAL END.

TERMINALS ARE INDIVIDUALLY INSERTED AND MAY BE EITHER MALE OR FEMALE.

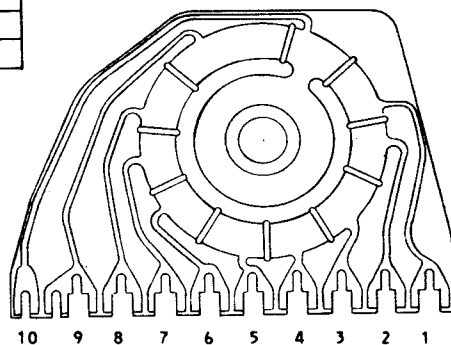
INSERT	PART NO.
MALE	182643
FEMALE	182644

CONVENIENCE RECEPTACLE

DESIG.	LOC.	PART NO.
M	12B3	178831

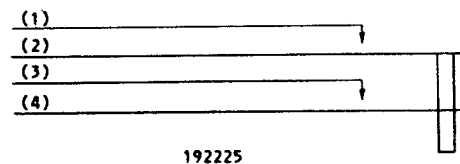
CORD

DESIG.	LOC.	PART NO.
U	12B2	182510



DISTRIBUTOR DISC

DESIG.	
PART NO.	180987
TERM.	LOC.
1	5C1
2	5C1
3	5C1
4	5C1
5	5C1
6	5C2
7	5C2
8	5C2
9	5C2
10	5C1



SWITCH

DESIG.	A. B. OFF NORMAL
PART NO.	192225
TERM.	LOC.
1	8D5
2	8D5
3	6C3
4	6C3

SWITCH

DESIG.	LOC.	PART NO.
KBD. TIMING	5B4	192485
KBD. UNIVERSAL	6C3	178144
E.O.L. INDICATOR	12E8	158163
TD TIMING	5B4	192605
TIGHT TAPE	6D2	160639
TAPE OUT	6D6	160632
BACK SPACE	12C5	170413

MAGNET COILS

DESIG.	LOC.	PART NO.
LRPE SEL. MAG.	5D6	192570
TD CLUTCH TRIP	6B1	156541
AB CLUTCH TRIP	6B5	274M
BACK SPACE	12C5	224M

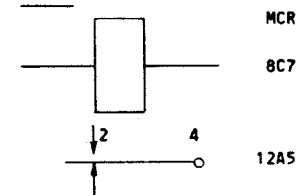
MOTOR

DESIG.	LOC.	PART NO.
LMU	12C5	151795
TD	12C6	192120

TERMINAL BOARD

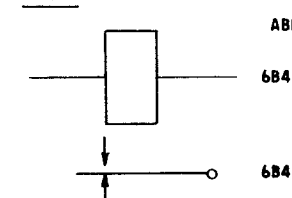
DESIG.	S	M	F
PART NO.	151415	151415	151415
TERM.	LOC.	LOC.	LOC.
1	12C6	12C6	9D6
2	12C5	12B6	9D5
3	12C6	12B6	9D5
4		12B6	9D5

RELAY



MCR
8C7
12A5

RELAY



ABR
6B4
6B4

BELL

DESIG.	LOC.	PART NO.
BELL	12C7	193451

DIODE

DESIG.	LOC.	PART NO.
CR1	4C5	171541 OR 182520
CR2	4C6	171541 OR 182520
CR6	6A1	171541 OR 182520
CR7	6B1	171541 OR 182520
CR8	6B2	171541 OR 182520
CR9	6B3	171541 OR 182520
CR10	6B3	171541 OR 182520
CR11	8C1	171541 OR 182520
CR12	8C3	171541 OR 182520
CR13	8C3	171541 OR 182520
CR14	8D4	171541 OR 182520
CR15	12F4	171541 OR 182520
CR16	12F4	171541 OR 182520
CR17	12F4	171541 OR 182520
CR18	12F4	171541 OR 182520
CR11A	13C1	197464 NOTE 12

CAPACITORS

DESIG.	LOC.	PART NO.	VALUE
C1	12C6	192019	3MFD.
C2	9D5	182761	.5MFD
C3	5C8	182501	1500MFD
C4	5C6	182501	1500MFD

FUSES

DESIG.	LOC.	PART NO.	VALUE	NOTE
C	12C4	117176	1/2A	
R	12A3	161136	6-1/4A	
FC	5C5	159269	3/8A	
FD	12B6	162360	.8A	
AG	12D5	117176	1/2A	7
		162360	1/2A	7

RESISTORS

DESIG.	LOC.	PART NO.	VALUE	NOTE
AA	a	182683	50Ω	
RA	4D1	165330	1KΩ	
R6	5C6	193439	32Ω	
R8	5D5	120216	1.8KΩ	
R10	8C1	165330	1KΩ	
R11	8C9	171524	700Ω	
R9	6A1	171523	500Ω	4
		194584	350Ω	5
R12	6C3	118187	27KΩ	

NETWORKS

DESIG.	LOC.	PART NO.	NOTE
MSR	4C4	153631	
MSP	4C5	153631	
MSK	4C6	153631	
NCT	6A3	153631	
ABR	6B4	153631	
TDC	6A6	153631	
TD COIL	6B1	153631	
MCR	8C7	153631	
BUZZER	10C2	153631	
T TAPE	6E2	326635	6
CARD DIAL	2C6	334167	11

TRANSFORMERS

DESIG.	LOC.	PART NO.
TR1	5C6	330795
TR2	5C8	330793
COPY LIGHT	12B8	193412
TR	12E4	182657

SOME UNITS CONTAIN 182519 TRANSFORMER
SOME UNITS CONTAIN 182722 TRANSFORMER

SEE ISSUE CONTROL RECORD FOR COMPLETE LIST OF SHEETS COMPRISING THIS W.D.

APPARATUS FIGURE FOR TELETYPEWRITER SETS (ASR)

APPROVALS

D AND R
E OF M

E-NUMBER

PROD. NO. 6000WD-C3

DATE 10/5/62

P.D. FILE NO. G-A151AA

DRAWN GCK

CHKD.

ENGD. WEC

APPD.

TELETYPE CORPORATION

6000WD-C3

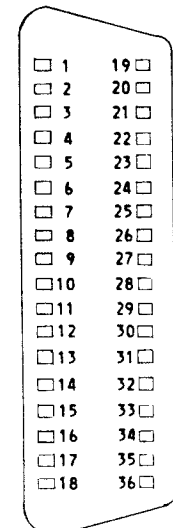
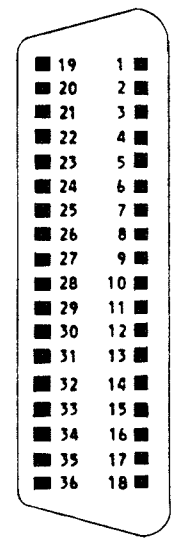
APPARATUS FIGURE 2

NOTE:
REVISION INFORMATION MUST
ALSO BE REFLECTED ON THE
ISSUE CONTROL RECORD, WHICH
IS A PART OF THIS DRAWING.

6000WD-C4

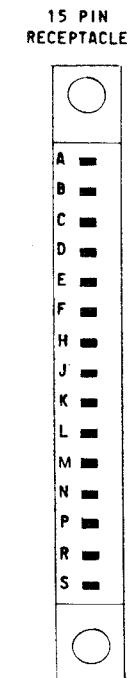
REVISIONS

ISSUE	DATE	AUTH. NO.
7	8-23-63	77559
J	1-6-64	79414
8	5-7-64	79414-2
5	12-21-64	84609
6	2-2-65	85509
7	5-7-68	95523-4
8	11-15-68	96529



CONNECTOR

DESIG.	CD
PART NO.	161238
	161239
TERM.	LOC.
1	11D7
2	
3	
4	
5	
6	
7	
8	
9	
10	
11	
12	
13	
14	
15	
16	
17	
18	
19	11D7
20	
21	
22	
23	
24	
25	
26	
27	11B2
28	
29	
30	11B2
31	11B2
32	11B4
33	11D8
34	11D8
35	
36	



PART NO. 193040
TERMINALS ON BOTTOM
OF RECEPTACLE ARE
WIRE WRAP.

CONNECTOR

DESIG.	CA	CB
PART NO.	193040	193040
TERM.	LOC.	LOC.
A	11C8	11D3
B	11C7	
C	11C7	11C5
D		
E		11C4
F	11C8	
H	11C6	11E5
J	11C7	
K	11C7	
L	11C8	
M	11C8	11D5
N	11C6	
P	11C6	11D5
R	11C7	
S	11C8	

MAGNET COILS

DESIG.	LOC.	PART NO.
ROTR	11D8	271M
RIBBON SHIFT	11E7	224M
TAPE FEED	11B2	224M

MOTOR

DESIG.	LOC.	PART NO.
ROTR	11D7	170764

NETWORK

DESIG.	LOC.	PART NO.
RCR	11C2	153631
MST	11B2	153631
RIBBON SHIFT	11E7	153631

CORD

DESIG.	LOC.	PART NO.
CE	11F8	114467

LAMPS

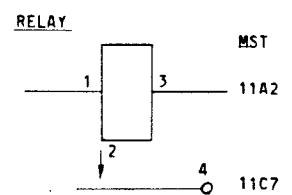
DESIG.	LOC.	PART NO.
ROTR LOW TAPE	IOF3	151982
ROTR CHAD WARNING	IOF3	151982

TERMINAL BOARD

DESIG.	TF
PART NO.	193868
TERM.	LOC.
AA1	11F7
AA2	11C7
AA3	
AA4	
AA5	11C7
AA6	11C7
AA7	
H1	11D7
H2	
H3	11B3
H4	11A4
H5	10D6
H6	
H7	11B3
J1	
J2	11D2
J3	11D6
J4	
J5	10C5
J6	
J7	10D7
K1	
K2	11C2
K3	
K4	
K5	
K6	11B1
K7	11C1
L1	
L2	11C2
L3	
L4	
L5	11E4
L6	11E5
L7	IOF4
M1	11C8
M2	11C8
M3	
M4	
M5	
M6	
M7	

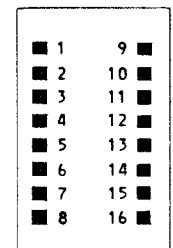
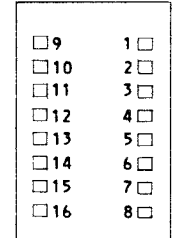
SWITCH

DESIG.	LOC.	PART NO.
TAPE FEED MOTOR HOLD	11A3	195005
ROTR CHAD WARNING	IOF4	158163
PS	11D7	178714
RIBBON SHIFT	11E7	192850



TERMINAL BOARD

DESIG.	TL	TU
PART NO.	151411	151411
TERM.	LOC.	LOC.
1	11D7	
2	IOF4	11A2
3	IOF3	11B2
4		IOF3
5	10C7	11B3
6	10C6	11D8
7	11C7	11D8
8	11D7	10C7
9	11D7	11F7
10		
11		
12		
13		
14		
15		
16		
17		
18		

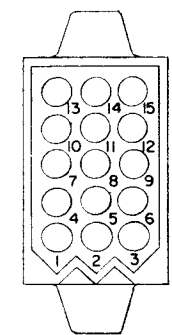


CONNECTOR

DESIG.	CJ
PART NO.	159541
	159542
TERM.	LOC.
1	11C7
2	11C7
3	11F7
4	
5	10C6
6	11B2
7	11B3
8	11C8
9	10D6
10	
11	11C7
12	11B4
13	11A2
14	IOF3
15	10D7
16	11C8

PRINTED CIRCUIT CARD

DESIG.	PART NO.	LOCATION
ROTR SELECTOR MAGNET DRIVER	193440	11B7, PAGE 1
ROTR SELECTOR MAGNET DRIVER	182630	11B7, PAGE 2



182540
CABLE

TERMINAL NUMBERING AS VIEWED FROM TERMINAL END

TERMINALS ARE INDIVIDUALLY INSERTED AND MAY BE EITHER MALE OR FEMALE

INSERT	PART NO.
MALE	182643
FEMALE	182644

CONNECTOR

DESIG.	D
PART NO.	182540
TERM.	LOC.
1	11D3
2	10D6
3	10C5
4	11E2
5	11C1
6	11D2
7	IOF4
8	11A2
9	11E6
10	11E3
11	11E4
12	10D7
13	11E5
14	11A4
15	11E7

RESISTOR

DESIG.	LOC.	PART NO.	VALUE
RD	11C8	193439	32Ω
RE	11A1	153455	600Ω
RF	11B1	77362	350Ω
RC	11C1	153455	600Ω

FUSE

DESIG.	LOC.	PART NO.	VALUE
FA	11C7	182611	3/8 A
FB	11D7	129919	4 A

TRANSFORMER

DESIG.	LOC.	PART NO.
TR3	11C8	330795

(SOME UNITS CONTAIN 182519 TRANSFORMER)

CAPACITOR

DESIG.	LOC.	PART NO.	VALUE
CA	11C7	182501	1500MFD

RELAY

DESIG.	TFR	RCR
PART NO.	193834	193834
CODE	AK-1	AK-1
	CONT ARR	LOC
12		EBM 11B3
11		EBM 11A4
10		M 11B3
9		B 11C6
8		EMB 11C2
7		
6		
5	B	
4	B	
3		
2	EBM	
1	M 11B3	
COIL	11B2	11C2

SWITCH

DESIG.	ALL TRAFFIC
PART NO.	139778
TERM.	LOC.
1	11D2
2	
3	11D2
4	
5	
6	

SWITCH

DESIG.	TAPE OUT
PART NO.	194220
TERM.	LOC.
1	IOF3
2	IOF3
3	
4	10C6
5	10C6
6	10C6

SEE ISSUE CONTROL RECORD FOR COMPLETE LIST OF SHEETS COMPRISING THIS W.D.

APPARATUS FIGURE FOR
TELETYPEWRITER SETS
(A S R)

APPROVALS

D AND R	E OF M
E-NUMBER	
PROD. NO. 6000WD-C4	
DATE 10-5-62	
P.D. FILE NO. G-A151AA	
DRAWN G.C.K.	CHKD.
ENGD. W.E.C.	APPD.

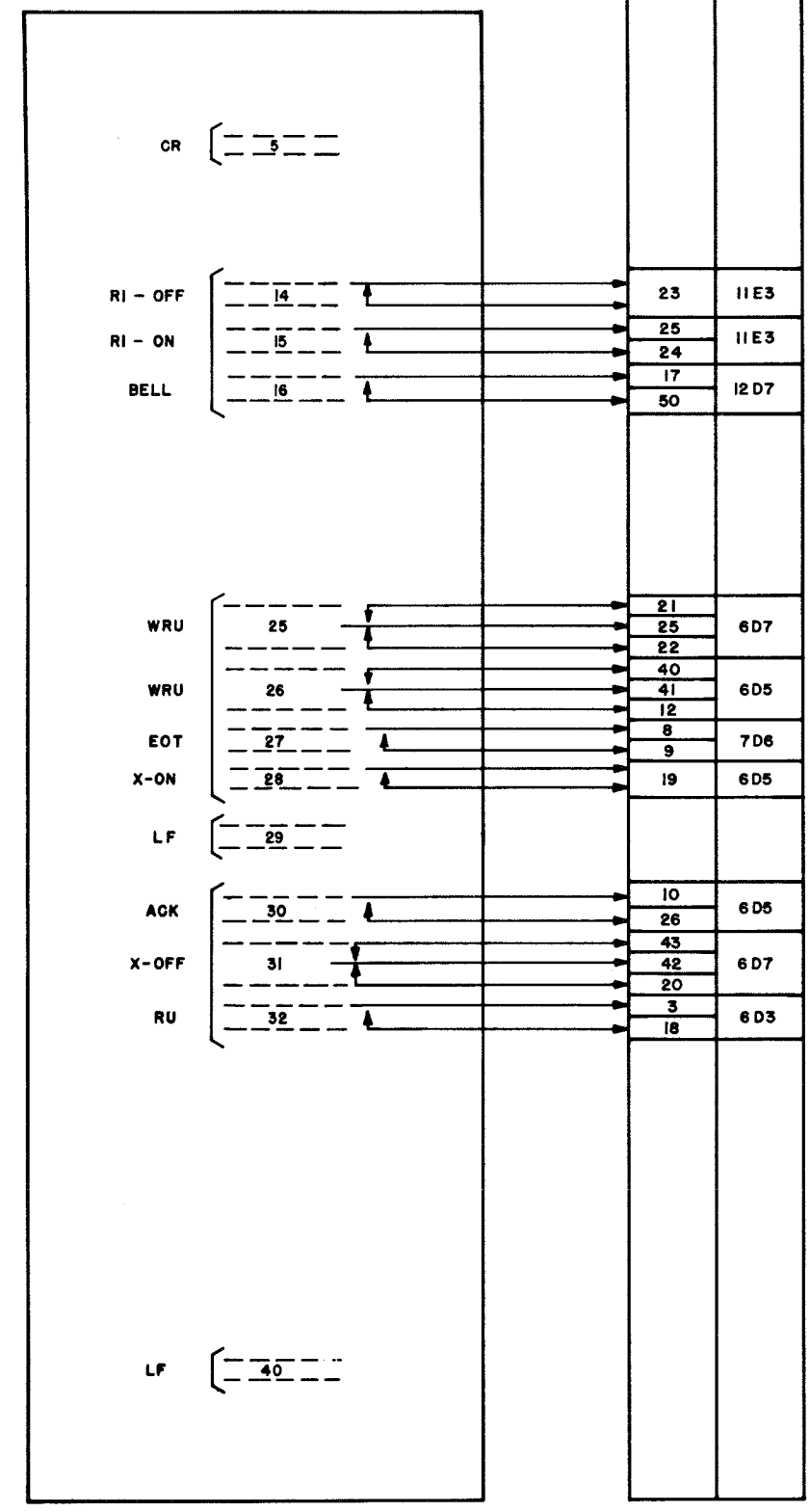
TELETYPE CORPORATION
6000WD-C4

APPARATUS FIGURE 3

NOTE:
REVISION INFORMATION MUST
ALSO BE REFLECTED ON THE
ISSUE CONTROL RECORD, WHICH
IS A PART OF THIS DRAWING.

6000WD - C5		
REVISIONS		
ISSUE	DATE	AUTH. NO.
2	5-8-64	81597-1
3	12-21-64	84609

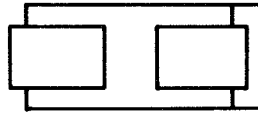
STUNT BOX DESIG. "ATG"



CONNECTOR

DESIG.	R
TTY	
TERM.	LOC.
23	11E3
24	11E3
17	12D7
21	6D7
25	6D7
22	6D7
40	6D5
41	6D5
12	6D5
8	7D6
9	7D6
19	6D5
10	6D5
26	6D5
43	6D7
42	6D7
20	6D7
3	6D3
18	6D3

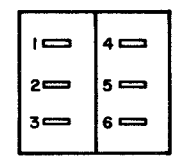
MAGNET COILS
DESIG. LP



CONNECTOR

DESIG.	R.
TERM.	LOC.
1	5E8
2	5E8
35	10D5
34	10D5
29	10D5
37	9F3
36	9F3

SWITCH DESIG.
PAPER OUT ALARM



SEE ISSUE CONTROL RECORD FOR
COMPLETE LIST OF SHEETS
COMPRISING THIS W.D.

APPARATUS FIGURE FOR
TELETYPEWRITER SETS
(ASR)

APPROVALS

D AND R <i>[Signature]</i>	E OF M <i>[Signature]</i>
-------------------------------	------------------------------

E-NUMBER

PROD. NO. 6000WD-C5

DATE 10-5-62

R.D. FILE NO. G-A151AA

DRAWN H.J.	CHKD. <i>[Signature]</i>
ENGD. W.E.C.	APPD. <i>[Signature]</i>

TELETYPE
CORPORATION

6000WD-C5

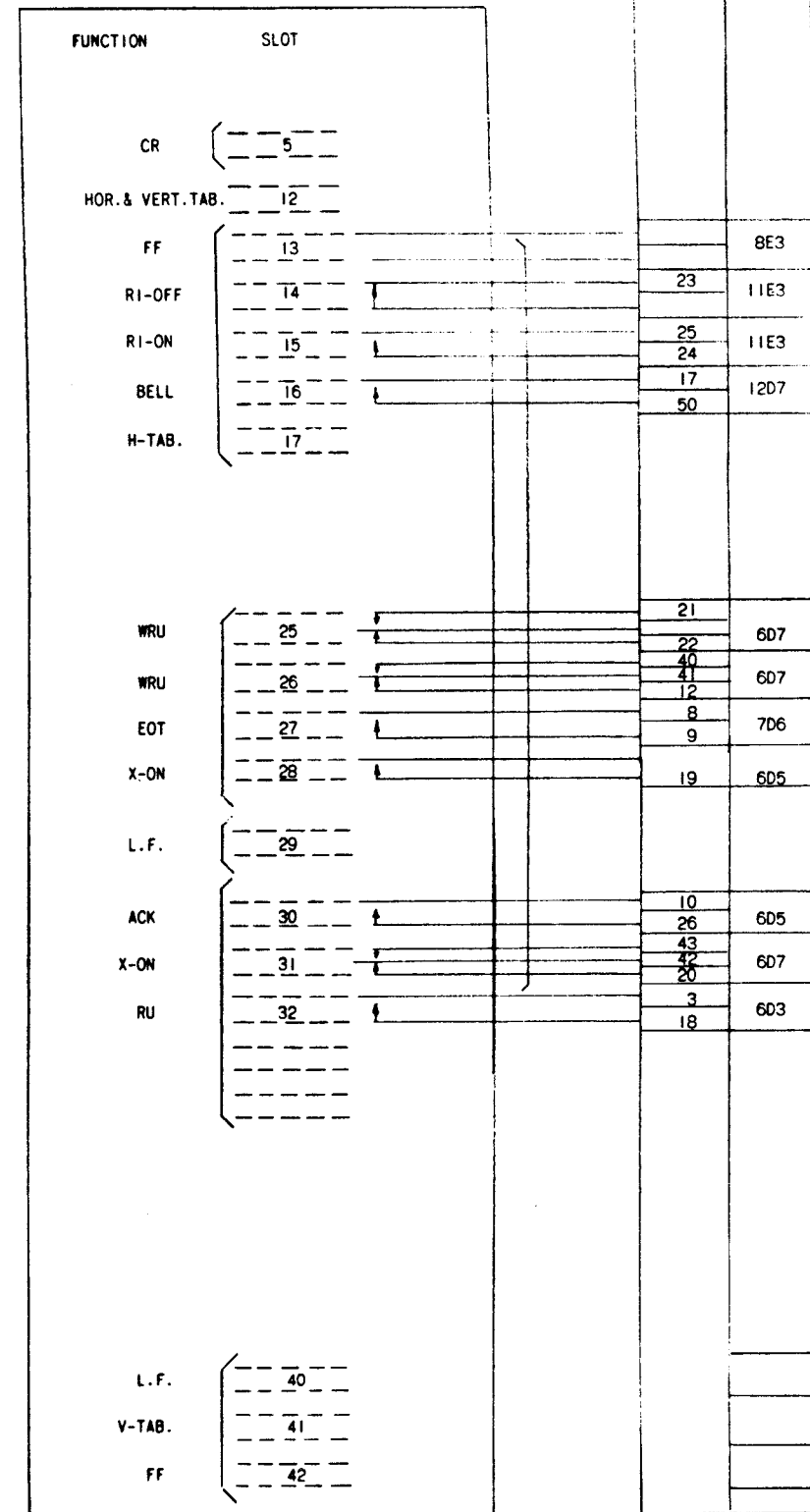
APPARATUS FIGURE 4

NOTE:
REVISION INFORMATION MUST
ALSO BE REFLECTED ON THE
ISSUE CONTROL RECORD, WHICH
IS A PART OF THIS DRAWING.

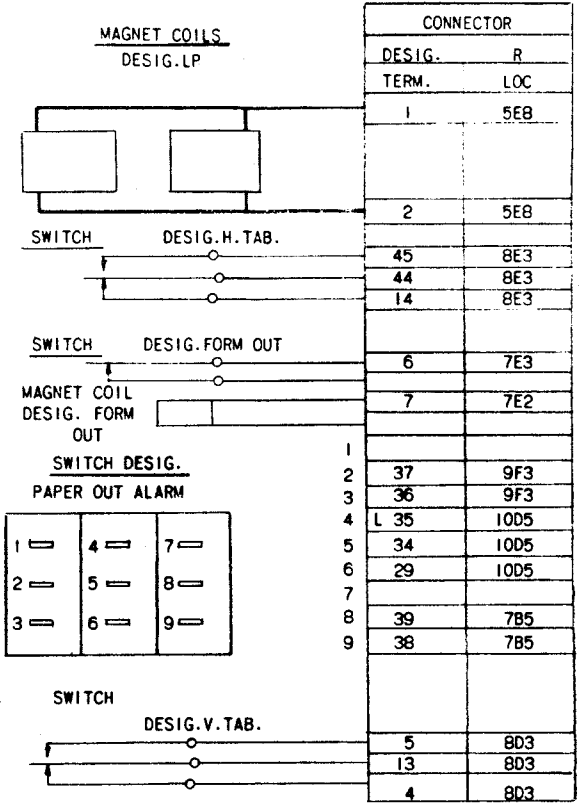
6000 WD-C6

REVISIONS		
ISSUE	DATE	AUTH. NO.
2	4/20/64	81597
3	12-21-64	84609

STUNT BOX DESIG.
ATH STUNT BOX

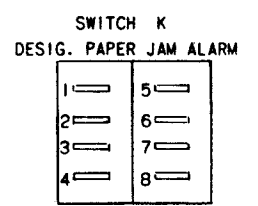


CONNECTOR	
DESIG.	R
CODE TTY	
TERM.	LOC.



NETWORK

DESIG.	LOC.	PART NO.
FORM OUT	7E2	153631



TERM.	LOC.	PART OF R CONN.	LOC.
1			
2	7B5		
3			
4	7B5		
5	10E5	35	10E5
6	10E5		
7			
8	10E5		

SEE ISSUE CONTROL RECORD FOR
COMPLETE LIST OF SHEETS
COMPRISING THIS W.D.

APPARATUS FIGURE FOR
TELETYPEWRITER SETS
(ASR)

APPROVALS

D AND R	E OF M
<i>[Signature]</i>	<i>[Signature]</i>

E-NUMBER

PROD. NO. 6000WD-C6

DATE 10/5/62

P.D. FILE NO. G-A151AA

DRAWN G.C.K. CHKD. J.P.M.

ENGD. W.E.C. APPD. B.A.S.

TELETYPE CORPORATION

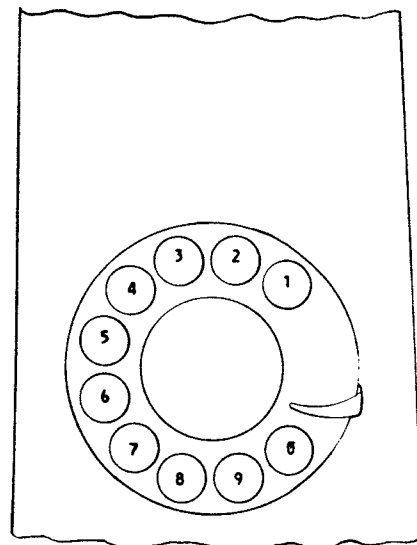
6000 WD-C6

6000WD-C7

NOTE:
REVISION INFORMATION MUST
ALSO BE REFLECTED ON THE
ISSUE CONTROL RECORD, WHICH
IS A PART OF THIS DRAWING.

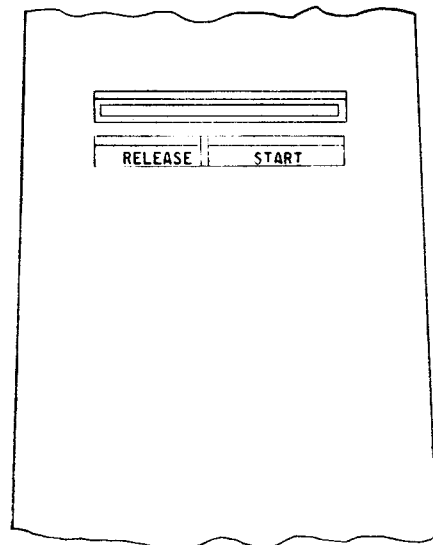
REVISIONS		
ISSUE	DATE	AUTH. NO.
2	12-13-62	75364
3	12-9-63	79390
4	12-21-64	84609
5	5-16-69	99164

DIALER APP. FIG. 5



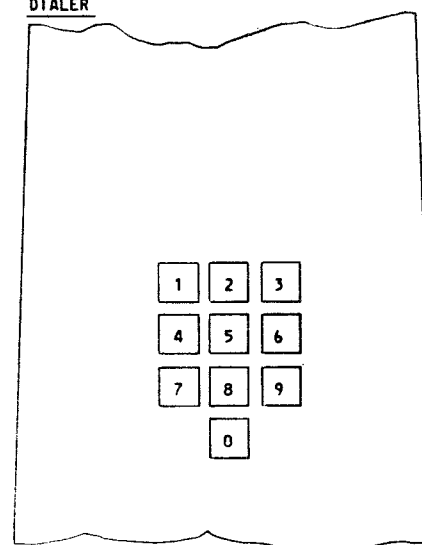
DESIG. 8G PULSE DIALER (ROTARY DIAL)
LOC. 2C5, 2F8
OPTION CODE WECO 8G
BSP SECTION
501-162-100
TELETYPE NO.
182500

DIALER APP. FIG. 6



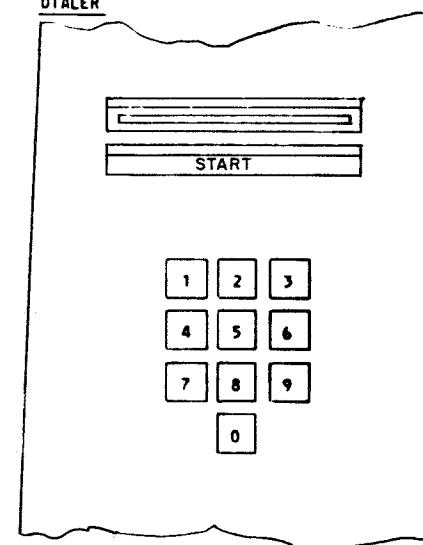
DESIG. 41A PULSE DIALER
LOC. 2B7
OPTION CODE WECO 41A
BSP SECTION
501-163-100
TELETYPE NO.
182622

DIALER APP. FIG. 7



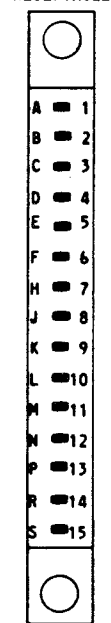
DESIG. TOUCH-TONE DIALER 25F1-49
LOC. 3C4
OPTION CODE WECO 25F1-49
BSP SECTION
501-164-105
TELETYPE PART NO.
182620

DIALER APP. FIG. 8



DESIG. TOUCH-TONE CARD DIALER 26C-49
LOC. 3B4
OPTION CODE WECO 26C-49
BSP SECTION
501-164-106
TELETYPE NO.
182621

15 PIN RECEPTACLE



PART NO. 182536

CONNECTOR

DESIG.	N	N
PART NO.	182536	182536
OPTION	T.U.	MXV
TERM.	LOC.	LOC.
A		3E4
B	2F7	3F7
C	2E4	3F3
D	2F4	3F3
E	2E5	3E4
F	2F7	3F7
H	2F7	3F7
J		
K		
L	2F4	3F3
M	2E7	3E7
N	2E7	3E7
P	2F4	3F3
R	2F4	3F3
S	2E5	3E5

FILTER

DESIG. CJ
LOC. 2C4
OPTION
TELETYPE NO.
182532

RECEIVER APP. FIG. 9



DESIG. - REC
LOC. - a
OPTION
PART NO. 182662
WECO CODE
731A61
a ① 2F7
② ③ 3F8

PRINTED CIRCUIT CARDS APP. FIG. 10

DESIG.	PART NO.	LOC.
(2) TURN AROUND TRAFFIC CONTROL	177519	a
	a	502
		1104

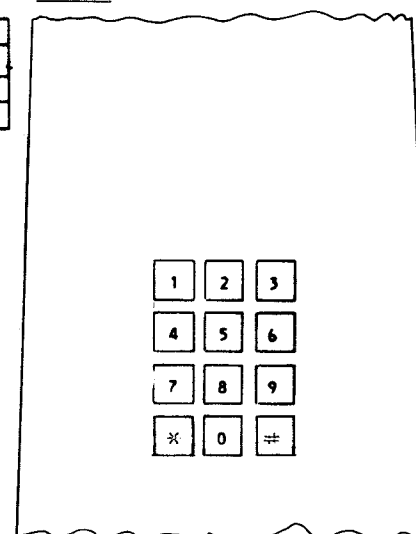
RESISTOR

DESIG.	LOC.	PART NO.	VALUE
R2	3E4	182765	200Ω
PT	3E4	182686	50K Ω

CAPACITOR

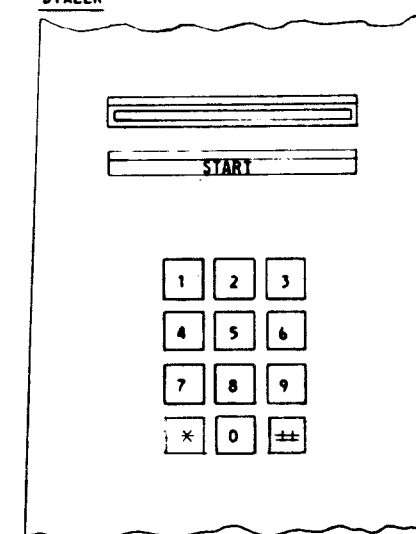
DESIG.	LOC.	PART NO.	VALUE
CK	305	182799	.25MFD

DIALER APP. FIG. 11



DESIG. TOUCH-TONE DIALER 35NIA
LOC. 3C4
OPTION CODE WECO 35NIA
BSP SECTION
501-164-115
TELETYPE PART NO.
186595

DIALER APP. FIG. 12



DESIG. TOUCH-TONE CARD DIALER 36J
LOC. 3B4
OPTION CODE WECO 36J
BSP SECTION
501-164-116
TELETYPE PART NO.
186596

SEE ISSUE CONTROL RECORD FOR
COMPLETE LIST OF SHEETS
COMPRISING THIS W.D.

APPARATUS FIGURE
FOR
TELETYPEWRITER SETS
(A S R)

APPROVALS

D AND R E OF M

E-NUMBER

PROD. NO. 6000WD-C7

DATE 10/3/62

P.D. FILE NO. 8-A751AA

DRAWN N.R. CHKD. J.M.

ENGD. H.E.C. APPD.

TELETYPE CORPORATION

6000WD-C7

SEE ISSUE CONTROL SHEET FOR NOTES.

101.

DESIG.	FUSE AMP.	POTENTIAL	ONE PER	TERM. DESIGN.	NOTE
C	1/2	+115V AC	APP. FIG.1	TR-2 R-1	8
R	6-1/4	+115V AC	APP. FIG.1	K-3	
FC	3/8	+115V AC	APP. FIG.1	C-1AA	
FD	.8	+115V AC	APP. FIG.1	M-3	
FA	3/8	+115V AC	APP. FIG.2	TF-2AA	
FB	4	+115V AC	APP. FIG.2	TL-1	
		+10V AC		TR-6	
		+14V AC		TR-5	
		+48V AC		TR-4	
		+48V DC		C-3T	
		TRANS. PRIMARY COMMON		TR-1	
		TRANS. SECOND COMMON		TR-7	
		COMMON FOR 48V DC		C-1R	
AG	1/2 AMP SL-BL 3/8 AMP SL-BL	+115 VAC	APP. FIG.1	C-2	7

103.

NETWORK VALUES			
NETWORK		RESISTANCE IN OHMS	CAPACITANCE IN MFD
NO.	CODE		
1	185A	470	0.11

104.

RECORD OF APP. FIGURES, WIRING AND APPARATUS CHANGES						
CHANGED ON ISSUE	IF JOB RECORDS DO NOT SPECIFY	THIS OPTION WAS FURNISHED	SEE NOTE	USED IN CIRCUIT		

FEATURE OF SET OR APPARATUS	PROVIDE			
	TYPE	NO. OF UNITS	QUANTITY	
BASIC SET EXCLUDING OPTIONAL APPARATUS (PRINTER, ROTR AND DIALER)			1 PER STATION	
DO NOT ANSWER (LOW PAPER OR OUT OF SERVICE)		A		
MAKE BUSY (LOW PAPER OR OUT OF SERVICE)		B		
AUXILIARY ROTR	2	C	1 PER STATION	
NO AUXILIARY ROTR	2	D		
FRICTION FEED PRINTER	3	J	1 PER STATION	
SPROCKET FEED PRINTER	4	K, L	1 PER STATION	
ROTARY DIALER (8G)	5	T	1 PER STATION	
PULSING CARD DIALER (41A)	6	U1	1 PER STATION	
TOUCH-TONE MF DIALER (25FI) OR (35NIA)	DIAL-TONE DETECTION	7	X	1 PER STATION
		OR 11	Y	
TOUCH-TONE CARD DIALER (26C) OR (36J)	8 OR 12	M, X, Y	1 PER STATION	
HAND HELD RECEIVER	9	R	1 PER STATION	
TURN AROUND TRAFFIC CONTROL	ROTR	10	G	1 PER STATION
	LRPE		H	1 PER STATION

NOTE: REVISION INFORMATION MUST ALSO BE REFLECTED ON THE ISSUE CONTROL RECORD, WHICH IS A PART OF THIS DRAWING.

6000WD -- D1

REVISIONS		
ISSUE	DATE	AUTH. NO.
2	8/23/63	77559
3	12-21-64	84609
4	2-15-65	84599-1
5	8-6-65	88293
6	8-22-67	94324-B
7	5-16-69	99164

SEE ISSUE CONTROL RECORD FOR COMPLETE LIST OF SHEETS COMPRISING THIS W.D.

CIRCUIT NOTES FOR TELETYPEWRITER SETS (ASR)

APPROVALS

D AND R: *[Signature]* E OF M: *[Signature]*

E-NUMBER

PROD. NO. 6000WD-D1

DATE 10/6/62

P.D. FILE NO. G-A151AA

DRAWN GCK CHKD. *[Signature]*

ENGD. WEC APPD. *[Signature]*

TELETYPE CORPORATION

6000WD -- D1