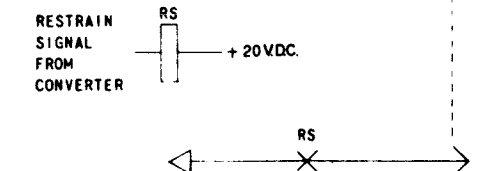
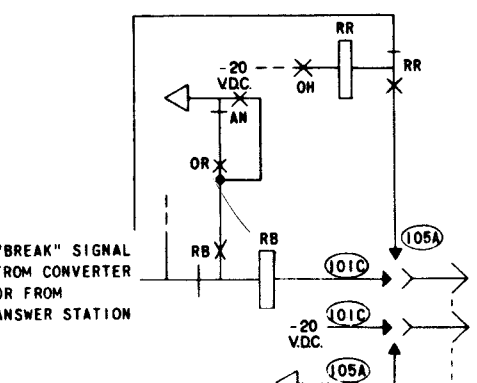
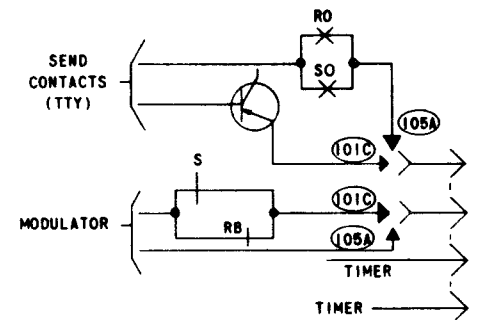
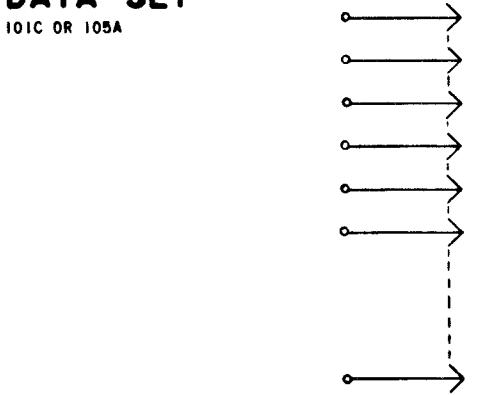




INDICATES COMMON RETURN TO THE POWER SUPPLY - NOT RELATED TO CHASSIS POTENTIAL.

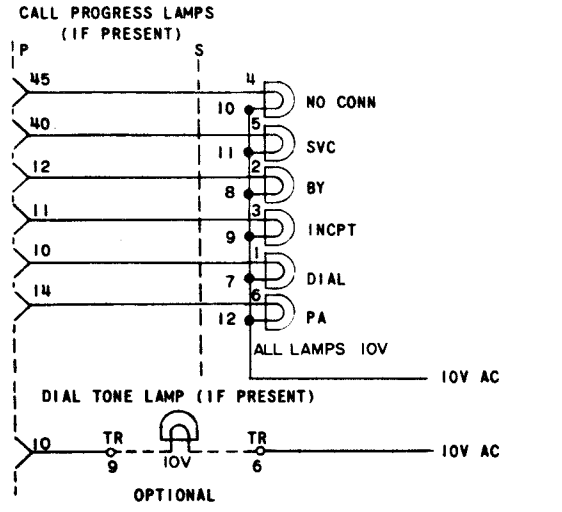
### DATA SET

101C OR 105A

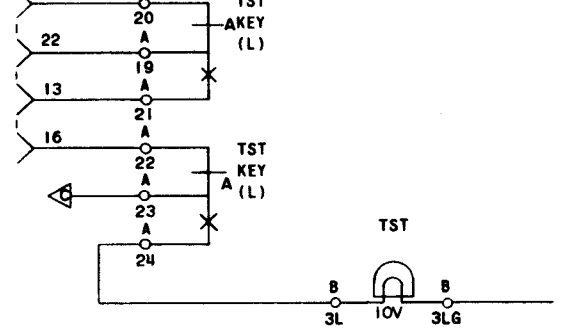


### FS-1

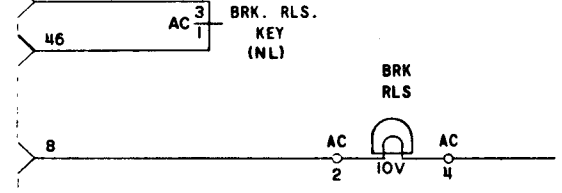
CALL PROGRESS OR DIAL TONE LAMPS



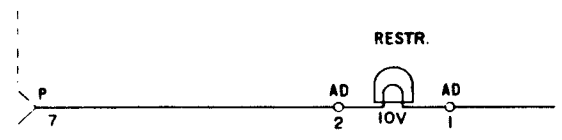
### FS-2 TEST



### FS-3 BREAK RELEASE

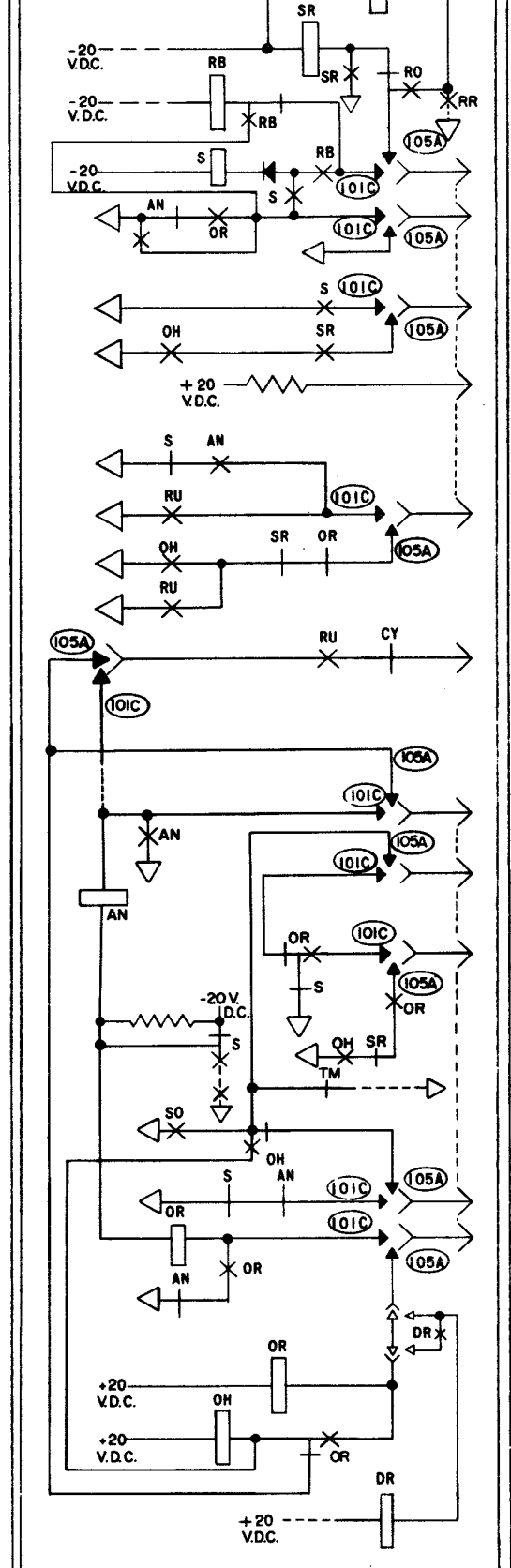


### FS-4 RESTRAIN

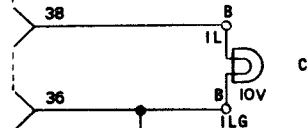
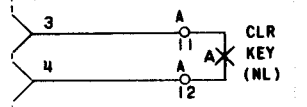


### DATA SET

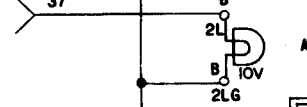
101C OR 105A



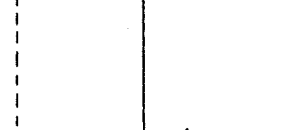
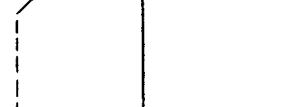
### FS-5 CLEAR



### FS-6 ANSWER



### FS-7 ORIGINATE



NOTE: REVISION INFORMATION MUST ALSO BE REFLECTED ON THE ISSUE CONTROL RECORD, WHICH IS PART OF THIS W.D.

## 6020WD-B1

REVISIONS		
ISSUE	DATE	AUTH. NO.
2	12-13-62	75364
3	10-12-64	84221
4	12-10-64	83562
5	2-2-65	85509
6	3-16-65	86307
7	8-4-65	87593

SEE ISSUE CONTROL RECORD FOR COMPLETE LIST OF SHEETS COMPRISING THIS W.D.

DETACHED SCHEMATIC WIRING DIAGRAM FOR 35A, 35B, 35C, 35D, 35A-X3, 35B-X3, 35C-X3, 35D-X3

TELETYPEWRITER SETS (KSR) SHEET B1

#### APPROVALS

D AND R E OF M  
*DA*

E-NUMBER

PROD. NO. 6020WD-B1

DATE 8-20-62

R.D. FILE NO. G-A151AA

DRAWN J.A.P. CHKD. *KSP*

ENGD. R.D.S. APPD. *DA*

TELETYPE CORPORATION

## 6020WD-B1

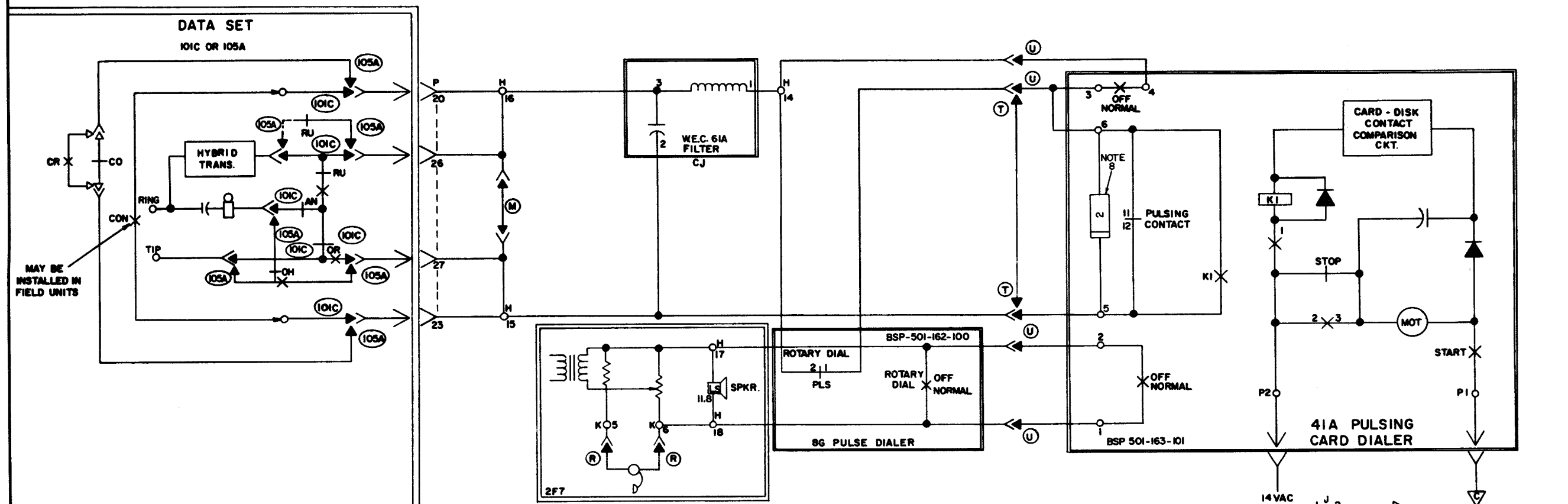
NOTE:  
REVISION INFORMATION MUST ALSO BE  
REFLECTED ON THE ISSUE CONTROL REC-  
ORD, WHICH IS A PART OF THIS DRAWING.

# 6020WD-B2

REVISIONS		
ISSUE	DATE	AUTH. NO.
2	11-12-62	75072
3	12-13-62	75364
4	8-31-64	83141
5	10-12-64	84221
6	2-2-65	85509
7	3-16-65	86307
8	8-4-65	87593
9	12-17-68	96463
10	5-7-70	8

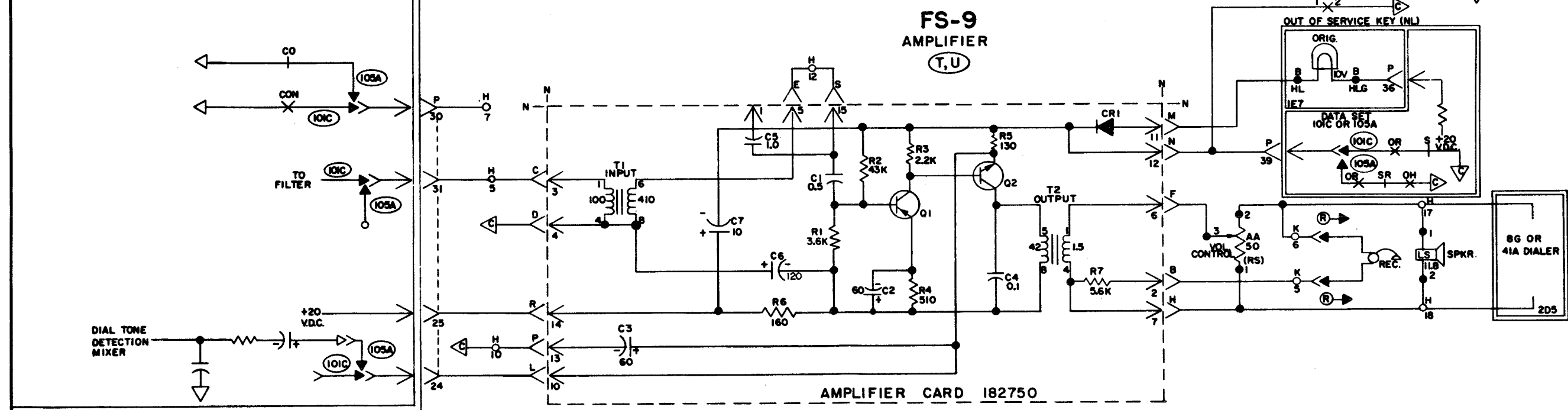
## FS-8 ROTARY DIAL & PULSING CARD DIALER

(T,U)



## FS-9 AMPLIFIER

(T,U)



AMPLIFIER CARD 182750

INDICATES COMMON RETURN TO THE POWER SUPPLY--  
NOT RELATED TO CHASSIS POTENTIAL.

2 DENOTES ARC SUPPRESSION NETWORK ASSEMBLY 334167

SEE ISSUE CONTROL RECORD FOR COMPLETE LIST OF SHEETS COMPRISING THIS W.D.

DETACHED SCHEMATIC WIRING DIAGRAM FOR  
35A, 35B, 35C, 35D, 35A-X3  
35B-X3, 35C-X3, 35D-X3

TELETYPEWRITER SETS (KSR)

SHEET B2

APPROVALS

D AND R E OF M

E-NUMBER

PROD. NO. 6020WD-B2

DATE 8-20-62

P.D. FILE NO. G-A151AA

DRAWN J.A.P. CHKD. R.T.P.

ENGD. R.D.S. APPD. O.A.L.

TELETYPE CORPORATION

# 6020WD-B2

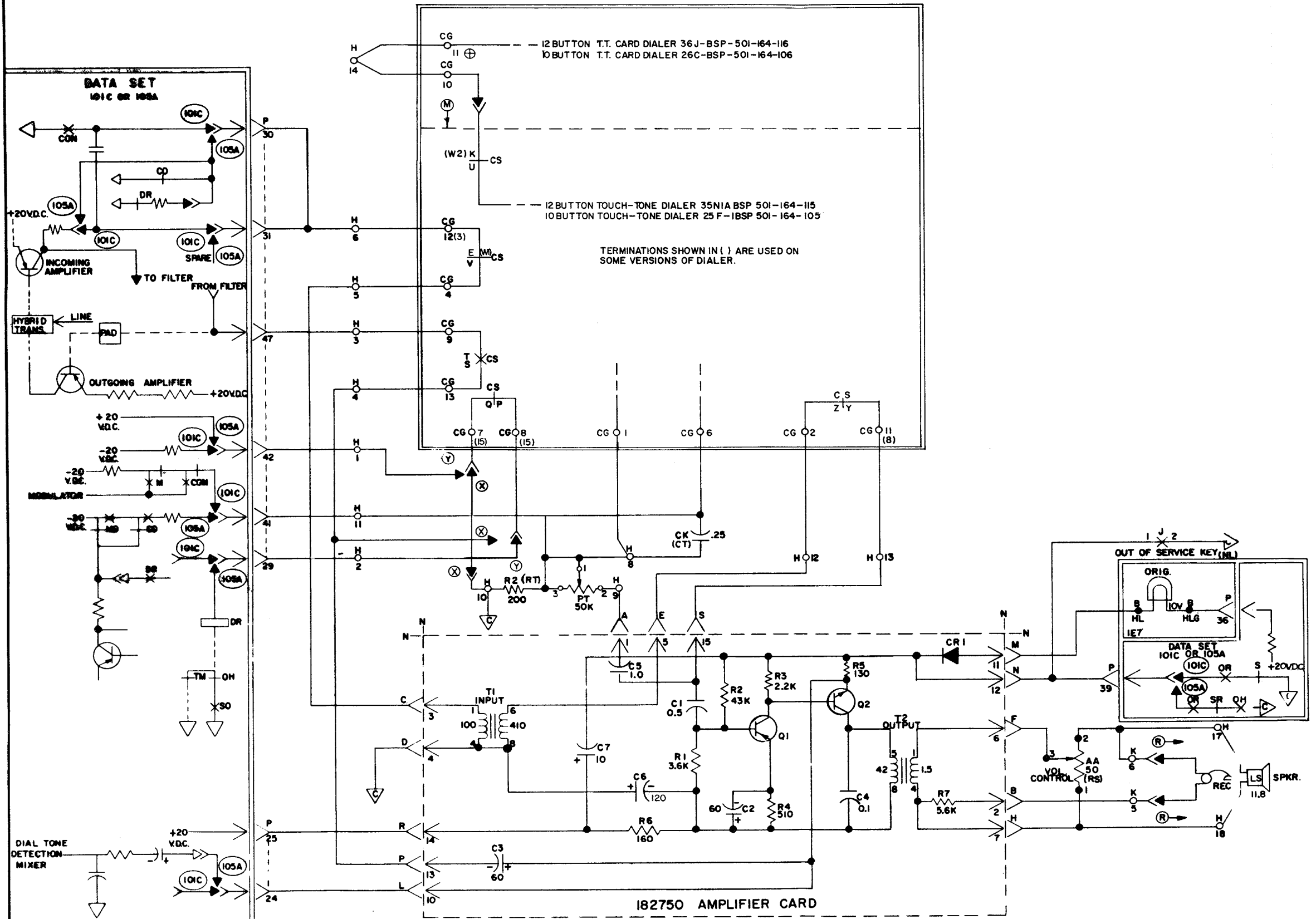
NOTE:  
REVISION INFORMATION MUST ALSO BE  
REFLECTED ON THE ISSUE CONTROL REC-  
ORD, WHICH IS A PART OF THIS DRAWING.

# 6020WD-B3

## REVISIONS

ISSUE	DATE	AUTH. NO.
2	12-13-62	75364
3	12-9-63	79390
4	10-12-64	84221
5	2-2-65	85509
6	3-16-65	86307
7	8-4-65	87593
8	10-18-65	88321
9	5-15-69	99164
10	5-7-70	8

### FS-10 TOUCH-TONE DIALER & AMPLIFIER CIRCUIT (M, X, Y)



INDICATES COMMON RETURN TO THE POWER SUPPLY-  
NOT RELATED TO CHASSIS POTENTIAL.

SEE ISSUE CONTROL RECORD FOR COM-  
PLETE LIST OF SHEETS COMPRISING THIS  
W.D.

DETACHED SCHEMATIC  
WIRING DIAGRAM FOR  
35A, 35B, 35C, 35D, 35A-X3  
35B-X3, 35C-X3, 35D-X3  
  
TELETYPEWRITER SETS  
(KSR)

SHEET B3

#### APPROVALS

D AND R *O.A.L.* E OF M

E-NUMBER  
PROD. NO. 6020WD-B3

DATE 8-20-62  
P.D. FILE NO. G-A151AA

DRAWN J.A.P. CHKD. R.P.  
ENGD. R.S.D. APPD. *O.A.L.*

TELETYPE  
CORPORATION

# 6020WD-B3

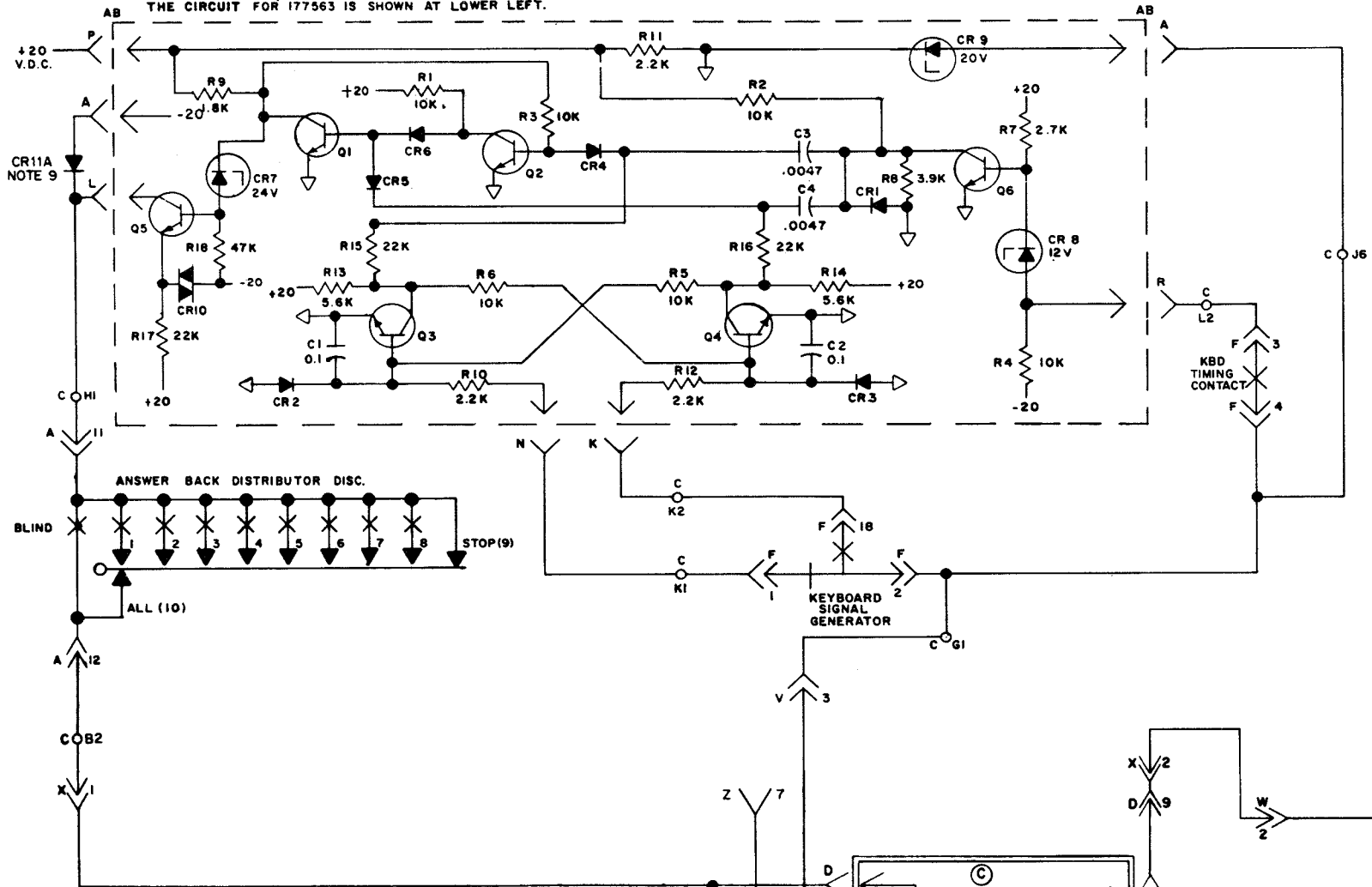
# FS-II SIGNAL GENERATORS AND SELECTOR MAGNET DRIVERS

6020WD-B4

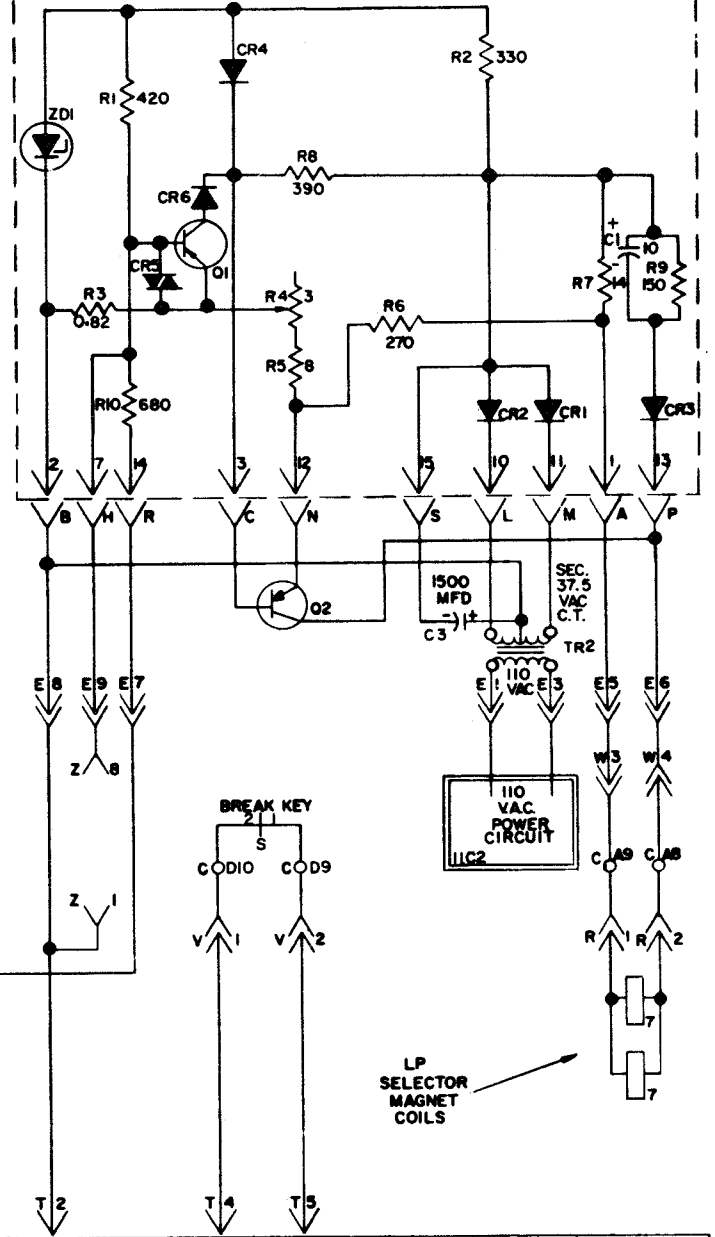
**REVISIONS**

ISSUE	DATE	AUTH. NO.
2	12-13-62	75364
3	4-3-64	81121
4	10-12-64	84221
5	12-23-64	83811
6	2-2-65	85509
7	3-16-65	86307
8	5-10-65	86507-1
9	8-4-65	87593
10	4-12-66	90544
11	6-10-66	90658
12	10-27-66	91933-1
13	5-7-68	95523-4
14	1-6-70	99875

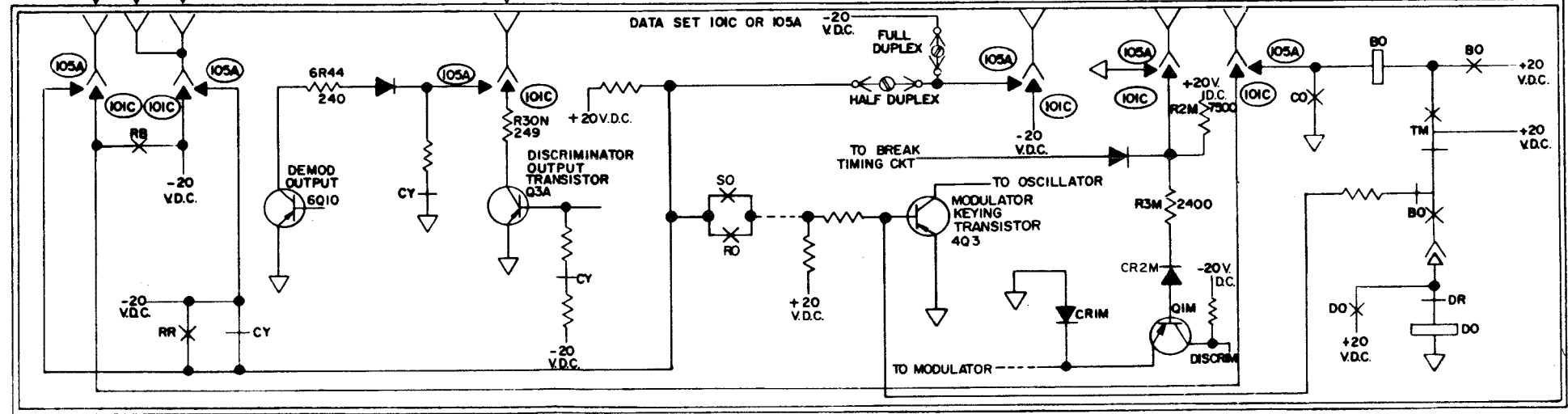
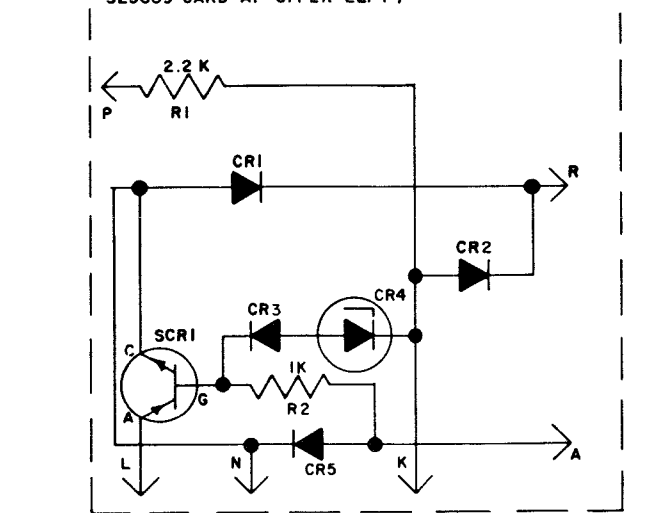
**SIGNAL REGENERATOR CARD 323609**  
NOTE: THIS IS A PREFERRED CIRCUIT CARD, AND WILL REPLACE 177563, WHICH WILL NO LONGER BE MADE. THE CIRCUIT FOR 177563 IS SHOWN AT LOWER LEFT.



**LP SELECTOR MAGNET DRIVER CARD 182630**



**SIGNAL REGENERATOR CARD 177563 (SEE NOTE ON 323609 CARD AT UPPER LEFT)**



NOTE:  
REVISION INFORMATION MUST ALSO BE REFLECTED ON THE ISSUE CONTROL RECORD, WHICH IS A PART OF THIS DRAWING.  
SEE ISSUE CONTROL RECORD FOR COMPLETE LIST OF SHEETS COMPRISING THIS W.D.

DETACHED SCHEMATIC WIRING DIAGRAM FOR 35A, 35B, 35C, 35D, 35A-X3, 35B-X3, 35C-X3, 35D-X3

TELETYPEWRITER SETS (KSR)

SHEET B4

**APPROVALS**

D AND R <i>DAV</i>	E OF M
-----------------------	--------

E-NUMBER

PROD. NO. 6020WD-B4

DATE 8-20-62

P.D. FILE NO. G-A151AA

DRAWN J.A.P. CHKD. *KST*

ENGD. R.D.S. APPD. *DAV*

**TELETYPE CORPORATION**

6020WD-B4

SEE ISSUE CONTROL SHEET FOR NOTES.

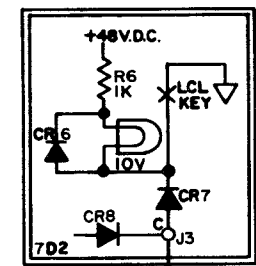
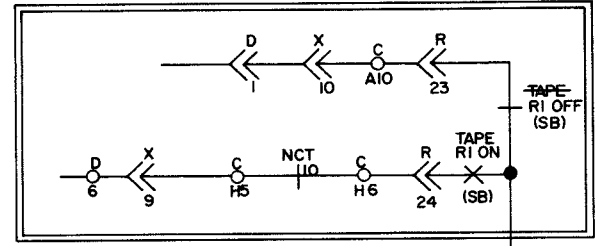
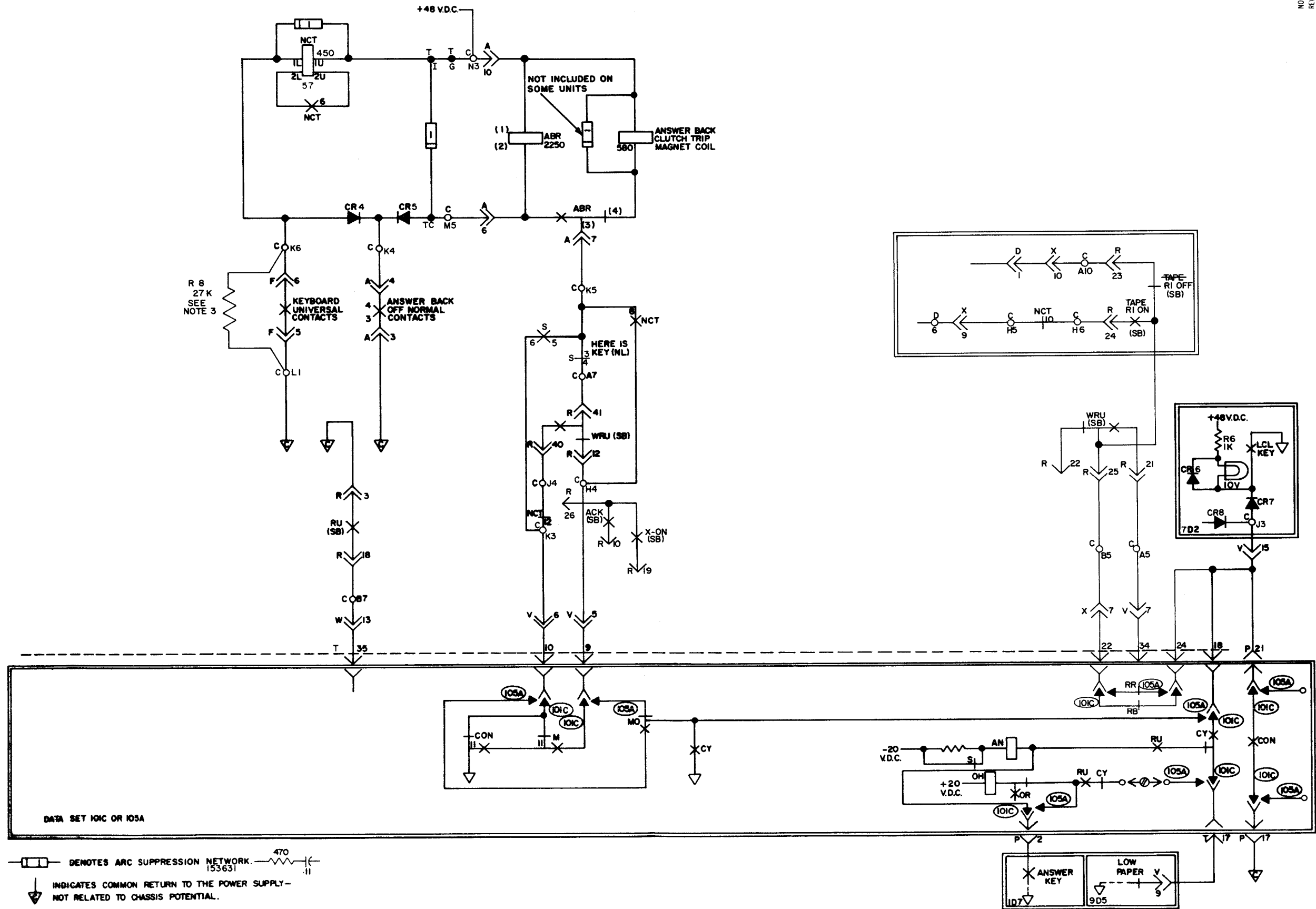
# FS-12 ANSWER BACK CONTROL CIRCUIT

## 6020WD-B5

### REVISIONS

ISSUE	DATE	AUTH. NO.
2	12-13-62	75364
3	10-12-64	84221
4	3-16-65	86307
5	8-4-65	87593
6	6-29-67	94201
7	8-21-67	94324-B

NOTE: REVISION INFORMATION MUST ALSO BE REFLECTED ON THE ISSUE CONTROL RECORD, WHICH IS A PART OF THIS DRAWING.



SEE ISSUE CONTROL RECORD FOR COMPLETE LIST OF SHEETS COMPRISING THIS W.D.

DETACHED SCHEMATIC WIRING DIAGRAM FOR 35A, 35B, 35C, 35D, 35A-X3, 35B-X3, 35C-X3, 35D-X3

TELETYPEWRITER SETS (KSR)

SHEET B5

### APPROVALS

D AND R  
E OF M

E-NUMBER

PROD. NO. 6020WD-B5

DATE 8-20-62

R.D. FILE NO. G-A151AA

DRAWN J.A.P.

CHKD. R.L.

ENGD. A.B.

APPD. R.L.

TELETYPE CORPORATION

## 6020WD-B5

DEMOTES ARC SUPPRESSION NETWORK. 470 153631 .11  

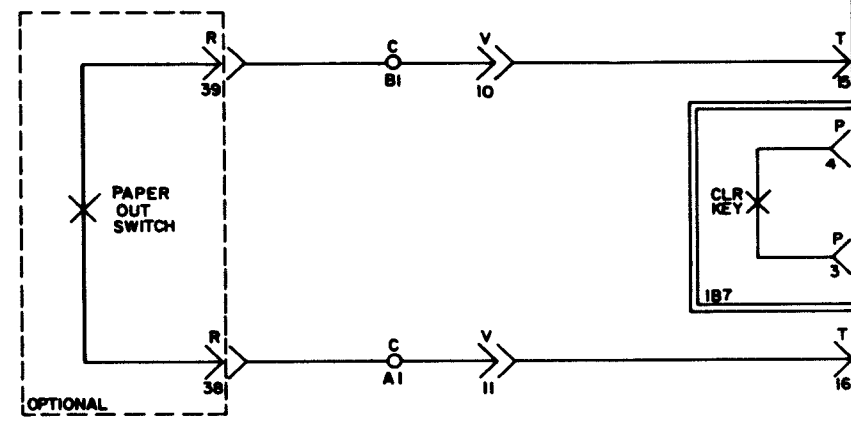
 INDICATES COMMON RETURN TO THE POWER SUPPLY - NOT RELATED TO CHASSIS POTENTIAL.

REVISIONS

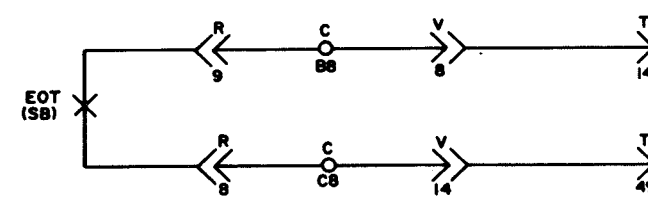
ISSUE	DATE	AUTH. NO.
2	12-13-62	75364
3	10-12-64	84221
4	2-2-65	85509
5	8-10-64	81109-1
6	10-30-64	81109-2
7	3-16-65	86307
8	8-4-65	87593
9	4-12-66	90544
10	6-10-68	95947

NOTE: REVISION INFORMATION MUST ALSO BE REFLECTED ON THE ISSUE CONTROL RECORD, WHICH IS A PART OF THIS DRAWING.

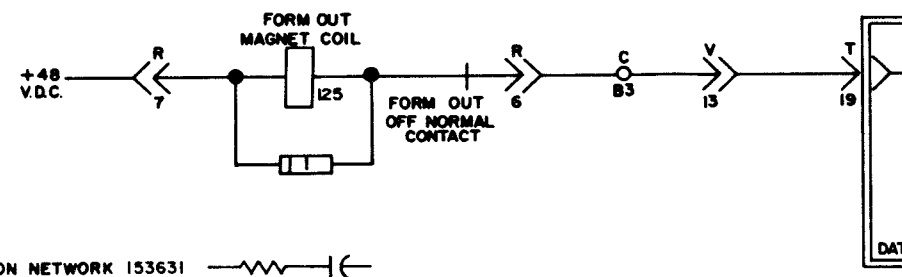
FS-14  
PAPER OUT DISCONNECT



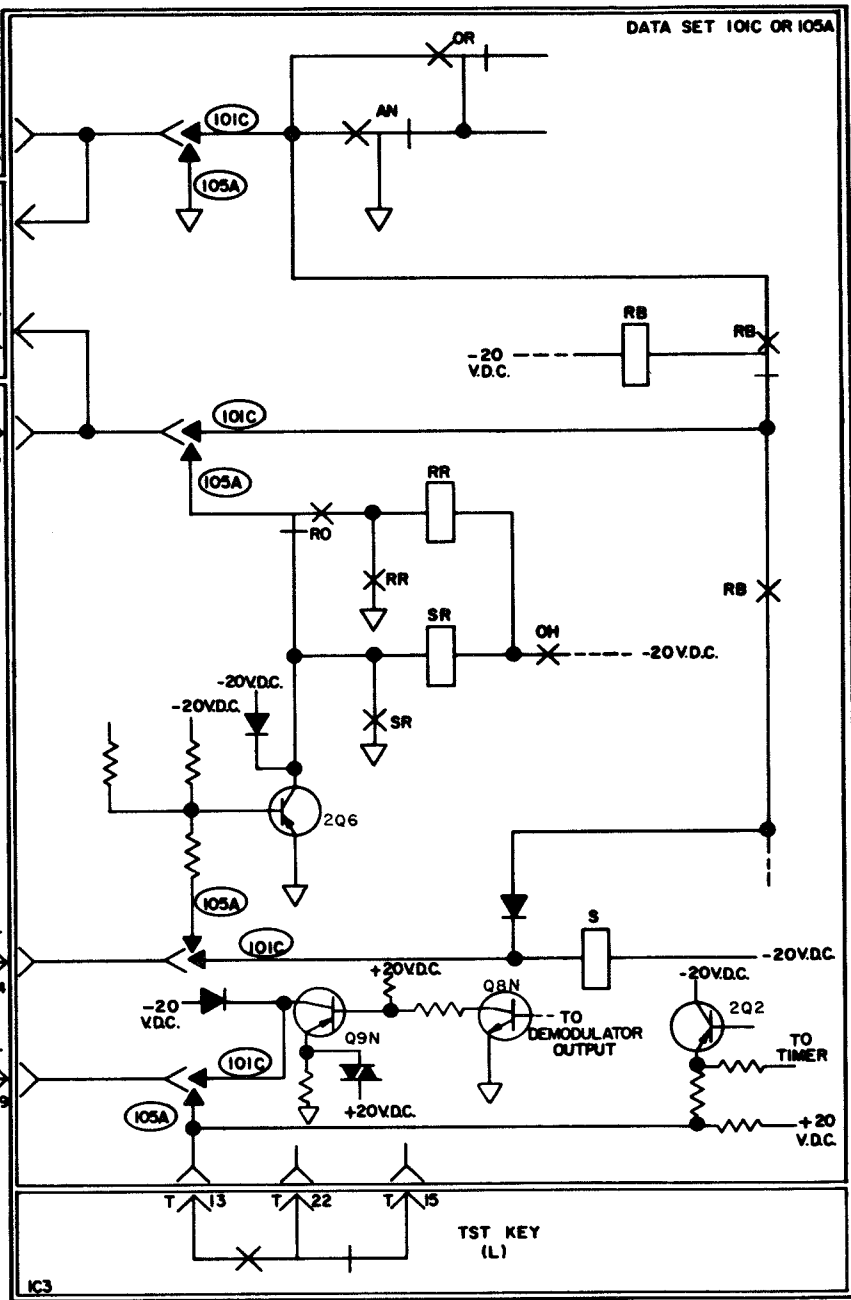
FS-15  
EOT DISCONNECT



FS-13  
FORM-OUT MAGNET COIL



— [ ] — DENOTES ARC SUPPRESSION NETWORK 153631 — [ ] — [ ] — 470 — [ ] — .11



SEE ISSUE CONTROL RECORD FOR COMPLETE LIST OF SHEETS COMPRISING THIS W.D.

DETACHED SCHEMATIC WIRING DIAGRAM FOR 35A, 35B, 35C, 35D, 35A-X3, 35B-X3, 35C-X3, 35D-X3

TELETYPEWRITER SETS (KSR)

SHEET B6

APPROVALS

D AND R *OAL* E OF M

E-NUMBER

PROD. NO. 6020WD-B6

DATE 8-20-62

P.D. FILE NO. G-A151AA

DRAWN J.A.P. CHKD. *ATV*

ENGD. A.B. APPD. *OAL*

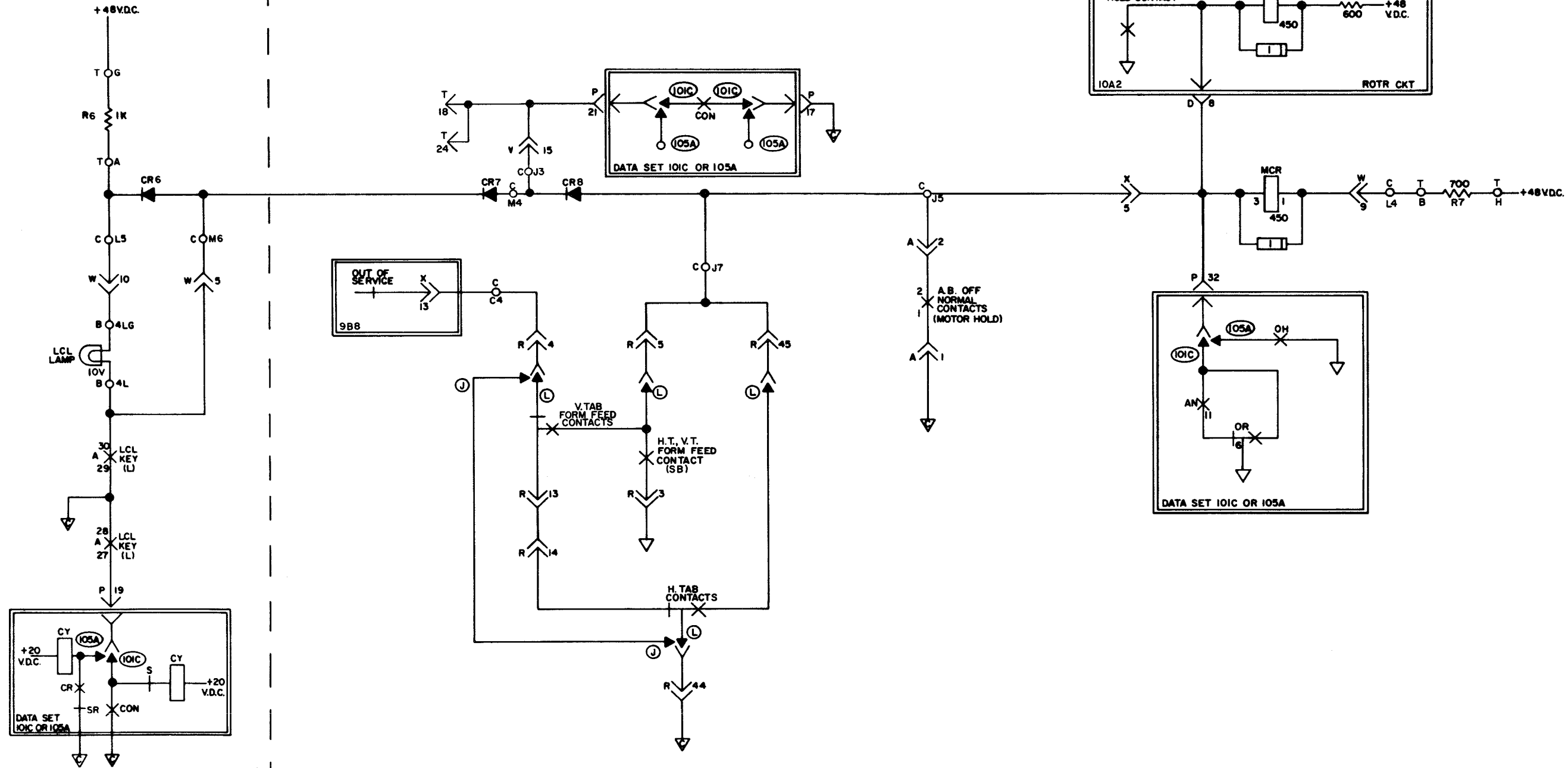
TELETYPE CORPORATION

NOTE:  
REVISION INFORMATION MUST ALSO  
BE REFLECTED ON THE ISSUE  
CONTROL RECORD, WHICH IS PART  
OF THIS W.D.

REVISIONS		
ISSUE	DATE	AUTH. NO.
2	11-12-62	75072
3	12-13-62	75364
4	10-12-64	84221
5	2-2-65	85509
6	3-16-65	86307
7	8-4-65	87593

FS-16  
LOCAL

FS-17  
MOTOR CONTROL RELAY CIRCUIT



—|—|— DENOTES ARC SUPPRESSION NETWORK. 153631 —|—|— .11 470

↓ INDICATES COMMON RETURN TO THE POWER SUPPLY— NOT RELATED TO CHASSIS POTENTIAL.

SEE ISSUE CONTROL RECORD FOR COMPLETE LIST OF SHEETS COMPRISING THIS W.D.

DETACHED SCHEMATIC WIRING DIAGRAM FOR 35A, 35B, 35C, 35D, 35A-X3, 35B-X3, 35C-X3, 35D-X3

TELETYPEWRITER SETS (KSR)

SHEET B7

APPROVALS

D AND R *OAL* E OF M

E-NUMBER

PROD. NO. 6020WD-B7

DATE 8-20-62

P.D. FILE NO. G-A1511A

DRAWN J.A.P. CHKD. *R.P.*

ENGD. A.B. R.D.S. APPD. *OAL*

TELETYPE CORPORATION

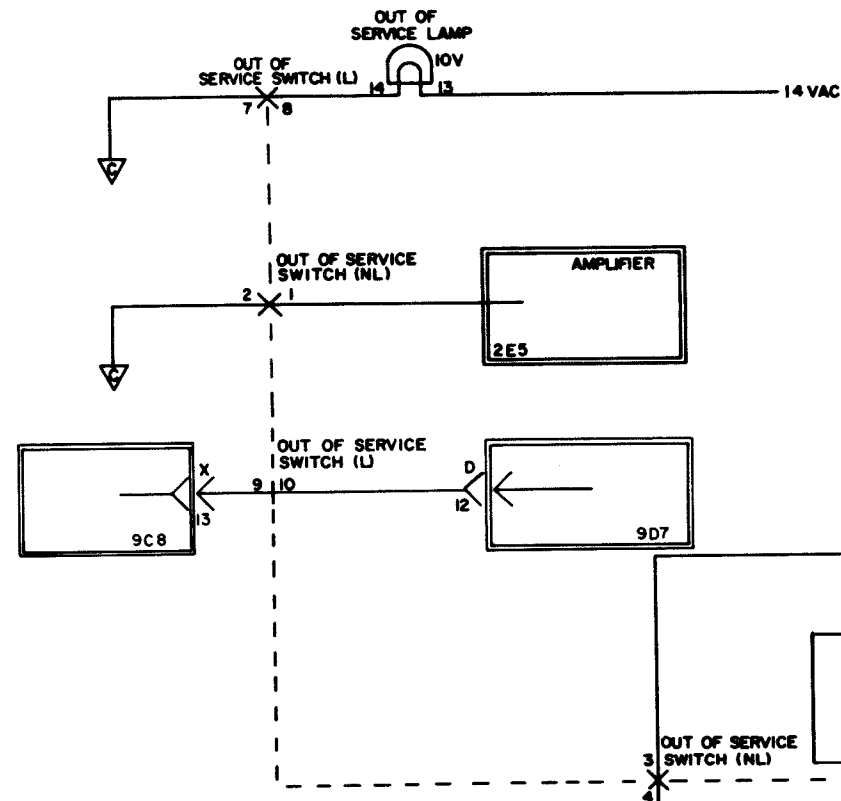


REVISIONS

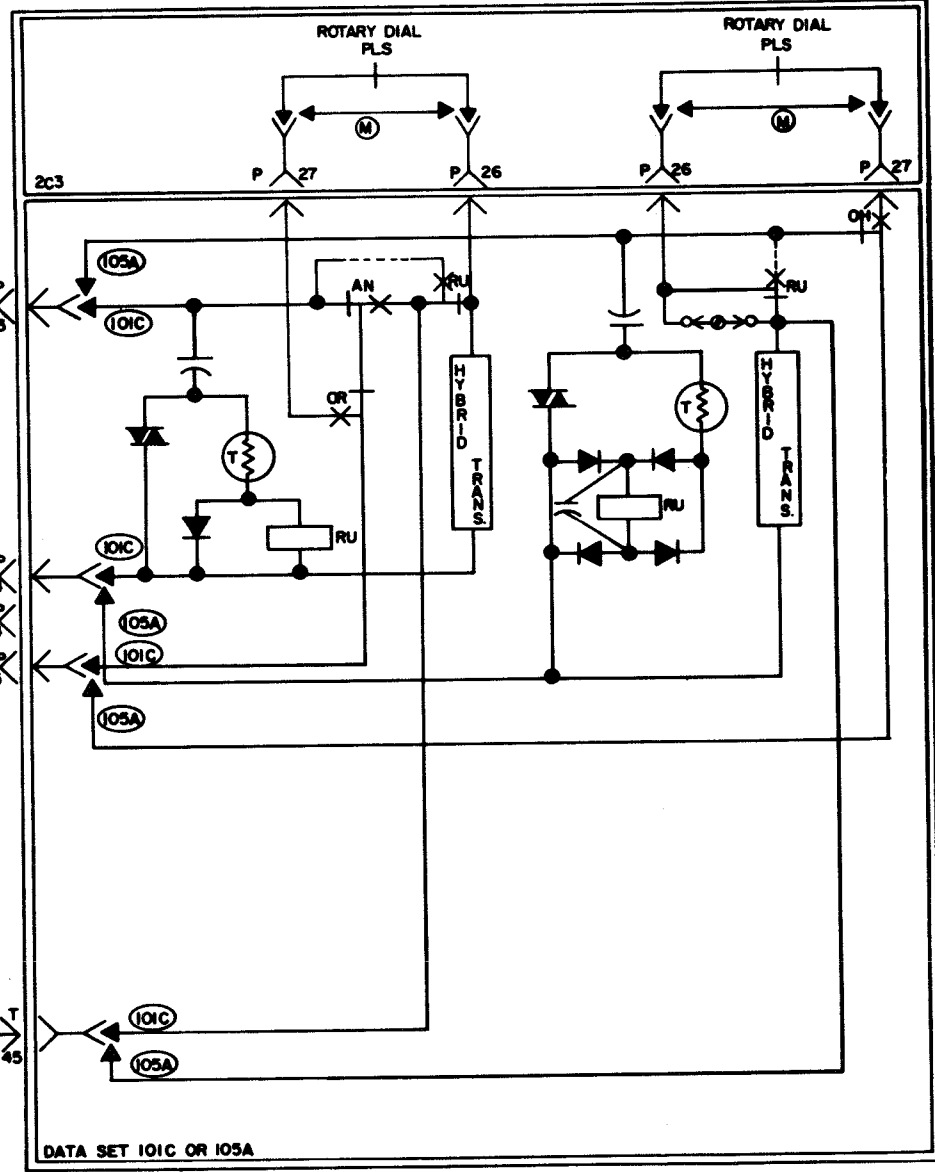
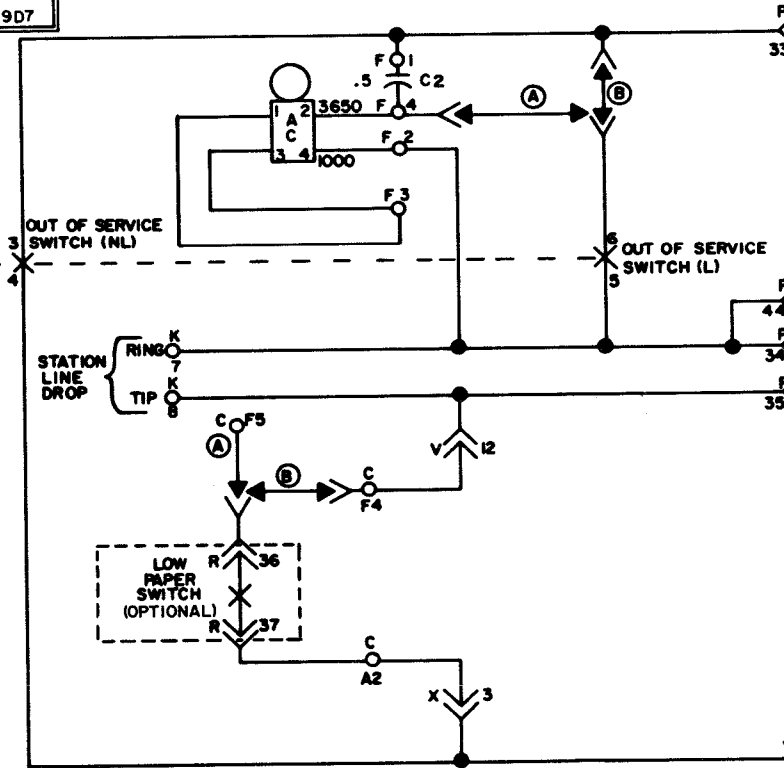
ISSUE	DATE	AUTH. NO.
2	12-13-62	75364
3	8-10-64	81109-1
4	10-30-64	81109-2
5	3-16-65	86307
6	8-4-65	87593

NOTE:  
REVISION INFORMATION MUST ALSO  
BE REFLECTED ON THE ISSUE  
CONTROL RECORD, WHICH IS PART  
OF THIS W.D.

FS-18  
OUT OF SERVICE



FS-19  
RINGER CIRCUIT  
& OFF HOOK CIRCUIT



OUT OF SERVICE IS A THREE POSITION TWIST UNIT.  
NORMAL - AS SHOWN  
LOCKING - CCW TWIST FROM NORMAL  
NON-LOCKING - CW TWIST FROM NORMAL.

↓ INDICATES COMMON RETURN TO THE POWER SUPPLY -  
NOT RELATED TO CHASSIS POTENTIAL.

SEE ISSUE CONTROL RECORD FOR  
COMPLETE LIST OF SHEETS  
COMPRISING THIS W.D.

DETACHED SCHEMATIC  
WIRING DIAGRAM FOR  
35A, 35B, 35C, 35D, 35A-X3,  
35B-X3, 35C-X3, 35D-X3

TELETYPEWRITER SETS  
(KSR)

SHEET B8

APPROVALS

D AND R  
E OF M

E-NUMBER

PROD. NO. 6020WD-B8

DATE 8-20-62

P.D. FILE NO. G-A151AA

DRAWN J.A.P. CHKD. A.T.  
ENGD. A.B. R.D.S. APPD. O.A.

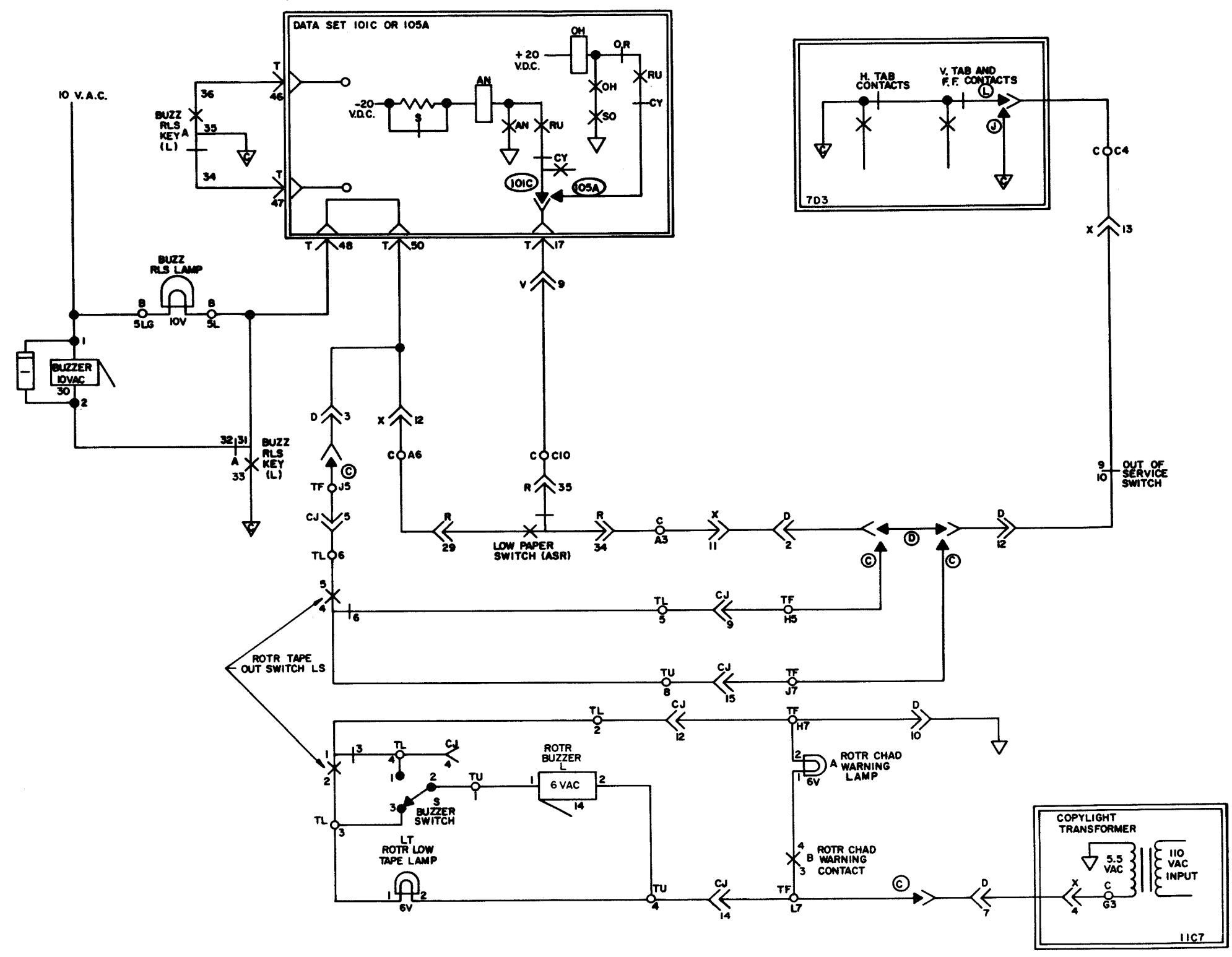
TELETYPE  
CORPORATION

# FS-20 PAPER ALARM

NOTE:  
REVISION INFORMATION MUST ALSO  
BE REFLECTED ON THE ISSUE  
CONTROL RECORD, WHICH IS PART  
OF THIS W.D.

## 6020WD-B9

REVISIONS		
ISSUE	DATE	AUTH. NO.
2	12-13-62	75364
3	10-12-64	84221
4	3-16-65	86307
5	8-4-65	87593



ROTR TAPE OUT SWITCH CONTACTS ARE SHOWN WITH FULL TAPE ROLL.

DENOTES ARC SUPPRESSION NETWORK 153631

INDICATES COMMON RETURN TO THE POWER SUPPLY - NOT RELATED TO CHASSIS POTENTIAL.

SEE ISSUE CONTROL RECORD FOR COMPLETE LIST OF SHEETS COMPRISING THIS W.D.

DETACHED SCHEMATIC WIRING DIAGRAM FOR 35A, 35B, 35C, 35D, 35A-X3, 35B-X3, 35C-X3, 35D-X3

TELETYPEWRITER SETS (KSR)

SHEET B9

APPROVALS

D AND R <i>O.A.</i>	E OF M
------------------------	--------

E-NUMBER

PROD. NO. 6020WD-B9

DATE 8-20-62

P.D. FILE NO. G-A151AA

DRAWN J.A.P.	CHKD. <i>R.T.</i>
--------------	-------------------

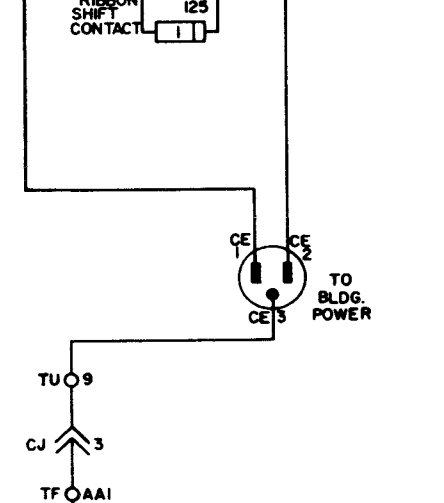
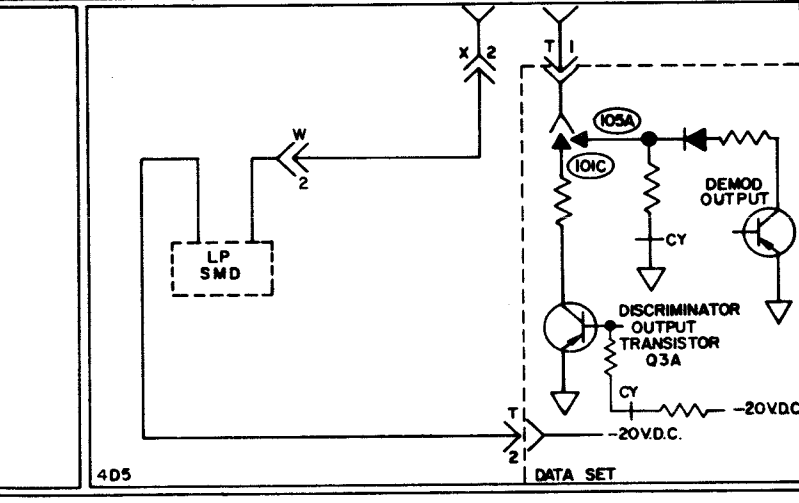
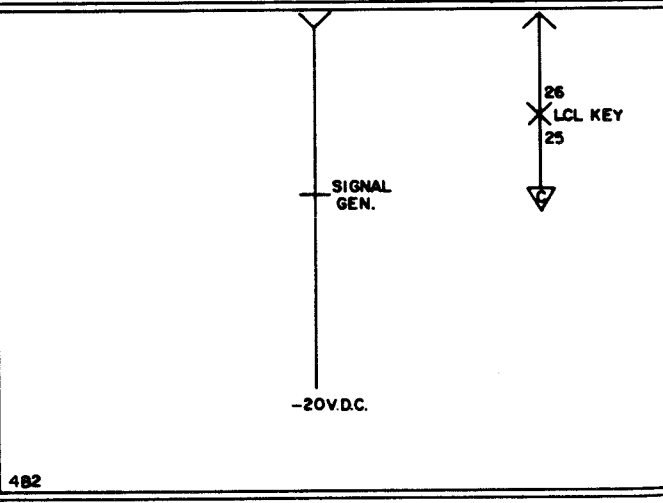
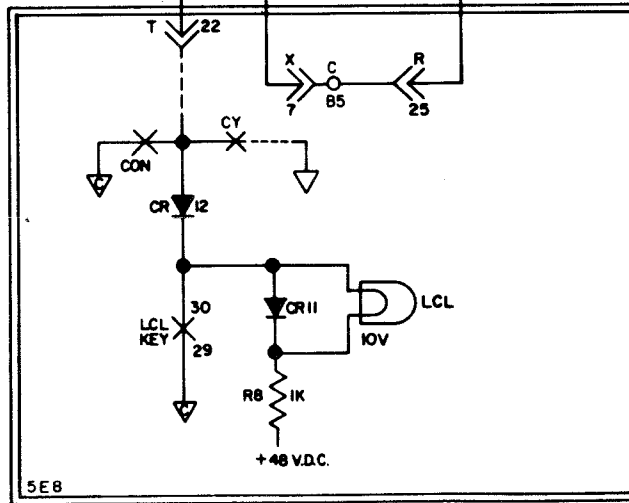
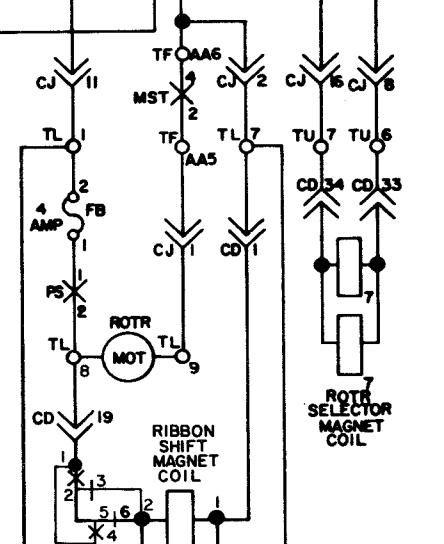
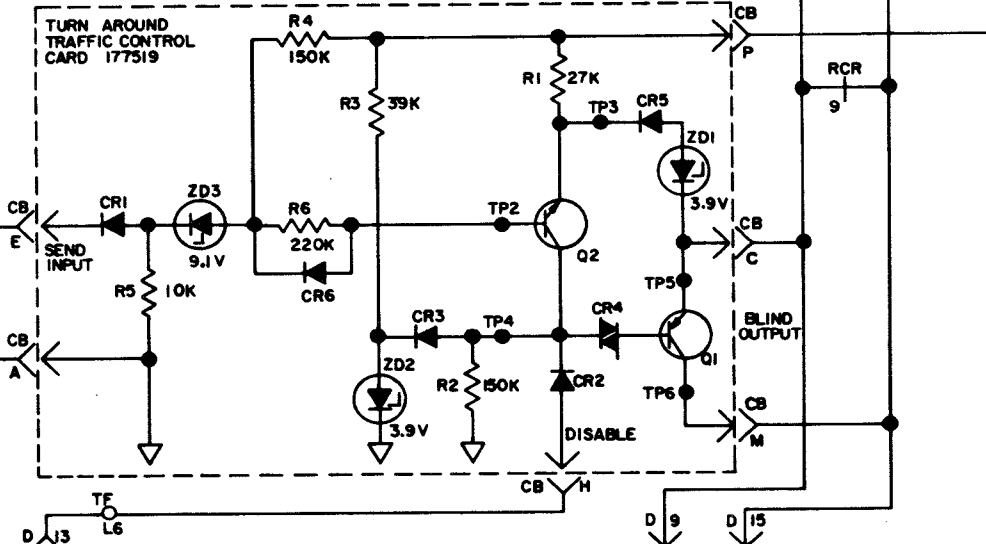
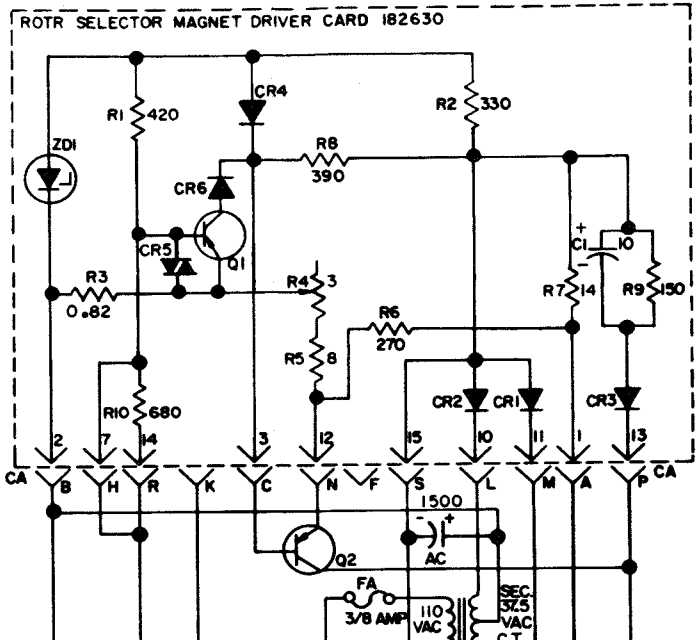
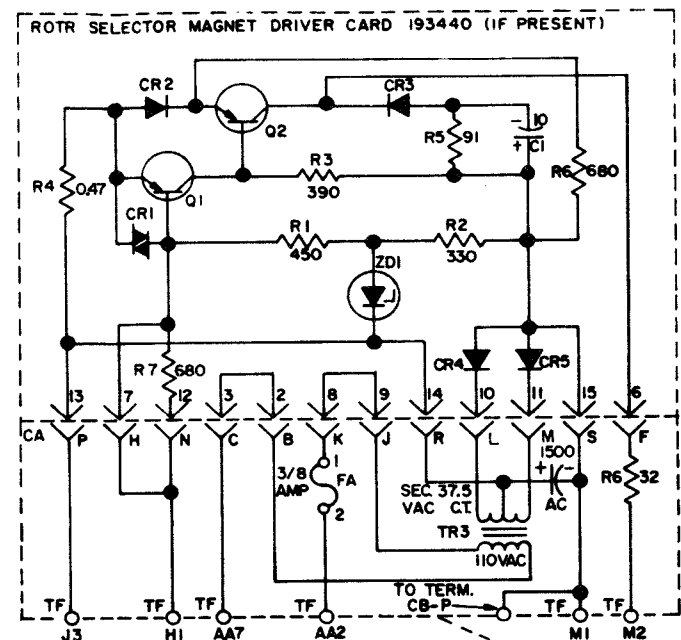
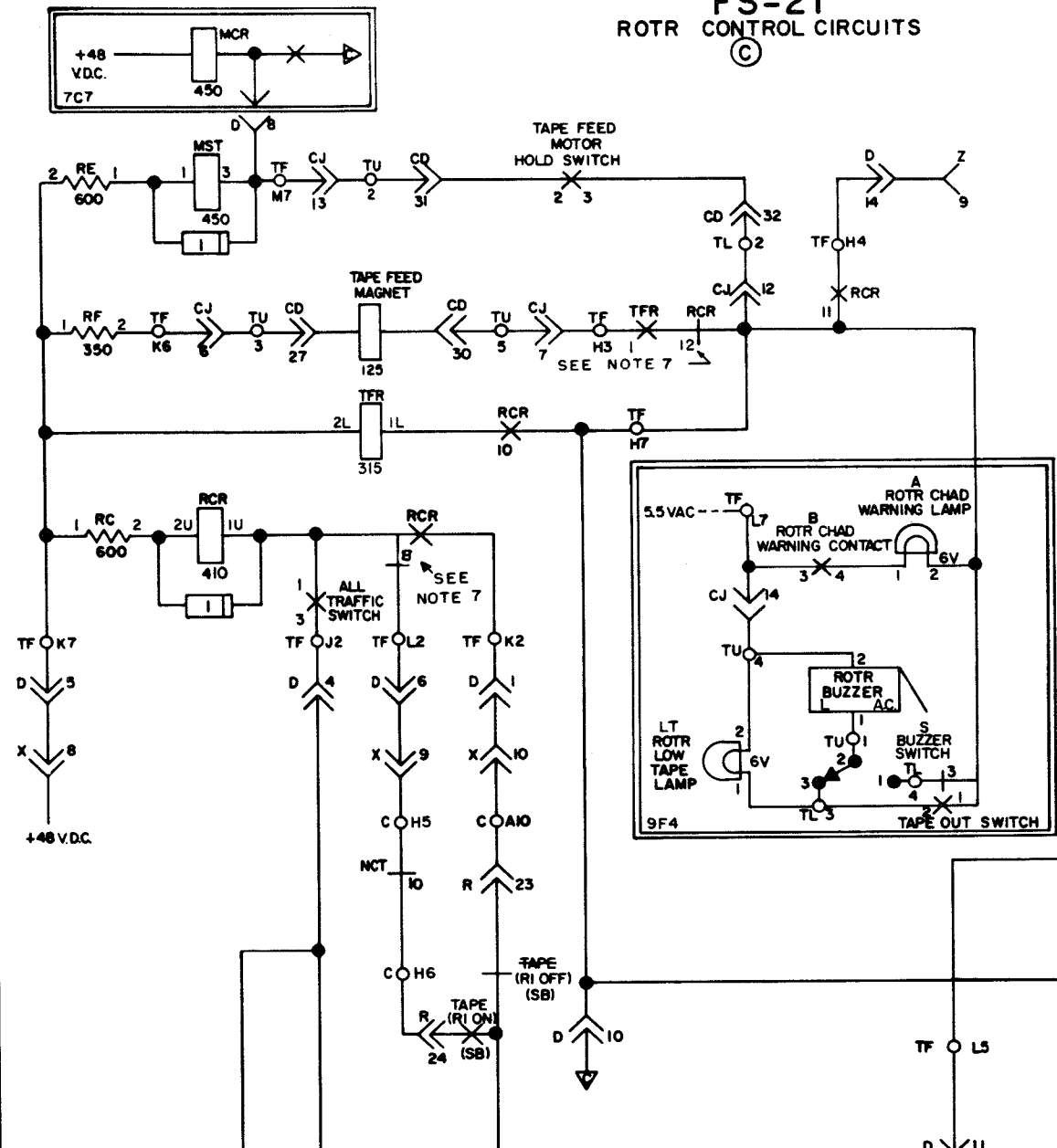
ENGD. A.B. R.D.S.	APPD. <i>O.A.</i>
----------------------	-------------------

**TELETYPE CORPORATION**

## 6020WD-B9

REVISIONS		
ISSUE	DATE	AUTH. NO.
2	11-12-62	75072
3	12-13-62	75364
4	4-24-64	79414-1
5	10-12-64	84221
6	2-2-65	85509
7	3-16-65	86307
8	5-10-65	86507-1
9	8-4-65	87593
10	1-4-66	89490
11	5-7-68	95523-4
12	11-15-68	96529

FS-21  
ROTR CONTROL CIRCUITS



DENOTES ARC SUPPRESSION NETWORK 153631  
 INDICATES COMMON RETURN TO THE POWER SUPPLY - NOT RELATED TO CHASSIS POTENTIAL.

NOTE: REVISION INFORMATION MUST ALSO BE REFLECTED ON THE ISSUE CONTROL RECORD, WHICH IS A PART OF THIS DRAWING. SEE ISSUE CONTROL RECORD FOR COMPLETE LIST OF SHEETS COMPRISING THIS WD.

DETACHED SCHEMATIC WIRING DIAGRAM FOR 35A, 35B, 35C, 35D, 35A-X3, 35B-X3, 35C-X3, 35D-X3

TELETYPEWRITER SETS (KSR)  
SHEET B10

APPROVALS  
D AND R: *DAL*  
E OF M: *EOM*

E-NUMBER  
PROD. NO. 6020WD-BIO  
DATE 8-20-62  
R.D. FILE NO. 6-A75/AA  
DRAWN J.A.P. CHKD. *TR*  
ENGD. A.B. R.D.S. APPD. *TR*

TELETYPE CORPORATION

SEE ISSUE CONTROL SHEET FOR NOTES.

# FS-22 POWER AND CABINET CIRCUITS

NOTE: REVISION INFORMATION MUST ALSO BE REFLECTED ON THE ISSUE CONTROL RECORD, WHICH IS A PART OF THIS DRAWING.

## 6020WD-B11

### REVISIONS

ISSUE	DATE	AUTH. NO.
2	11-12-62	75072
3	12-13-62	75364
4	3-5-63	75882
5	3-10-64	81103
6	4-24-64	81824
7	6-16-64	82025
8	10-12-64	84221
9	1-5-65	85704
10	2-2-65	85509
11	3-15-65	84599-1
12	8-4-65	87593
13	8-6-65	88293
14	8-21-67	94324-B

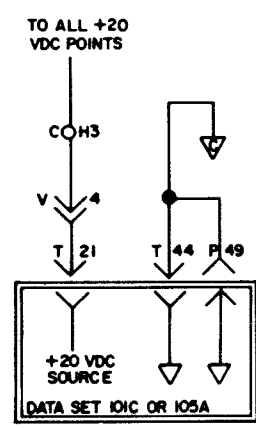
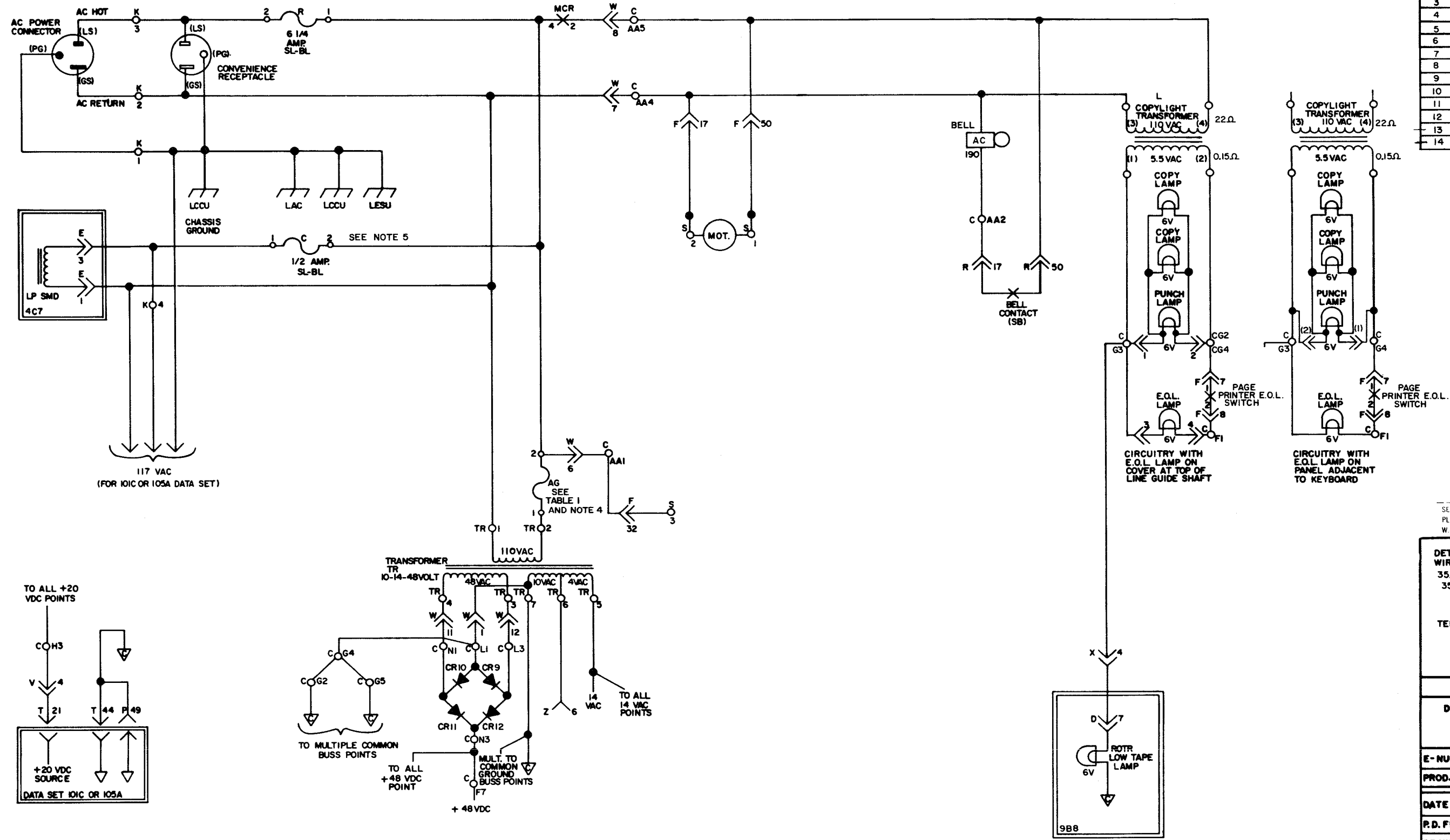


TABLE I.

TRANSFORMER	FUSE AG	PART NO.
181879	1/2 AMP. SL-BL	117176
182657	8/10AMP. SL-BL	162360

INDICATES COMMON RETURN TO THE POWER SUPPLY- NOT RELATED TO CHASSIS POTENTIAL.

SEE ISSUE CONTROL RECORD FOR COMPLETE LIST OF SHEETS COMPRISING THIS W.D.

DETACHED SCHEMATIC WIRING DIAGRAM FOR 35A, 35B, 35C, 35D, 35A-X3, 35B-X3, 35C-X3, 35D-X3

TELETYPEWRITER SETS (KSR)

SHEET B11

### APPROVALS

D AND R  
E OF M

E-NUMBER

PROD. NO. 6020WD-B11

DATE 8-20-62

P.D. FILE NO. G-A151AA

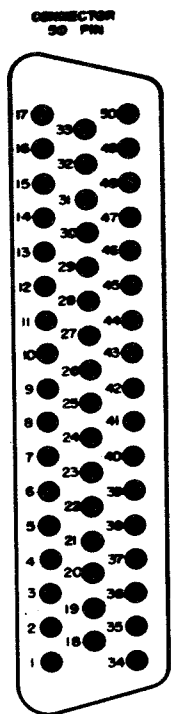
DRAWN J.A.P. CHKD. R.S.  
ENGD. A.B. R.D.S. APPD. O.H.

TELETYPE CORPORATION

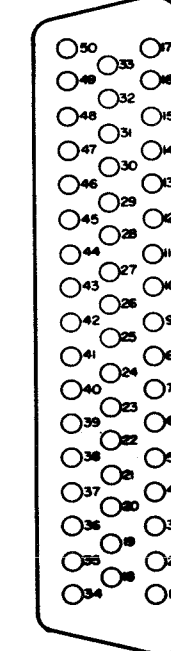
6020WD-B11

DESIG.	C
PART NO.	192013
TERM.	LOC.
AA1	11B4
AA2	11C6
AA3	
AA4	11B5
AA5	NA5
A1	6D4
A2	8F5
A3	9E6
A4	
A5	10E1
A6	9D4
A7	5C4
A8	4D6
A9	4D7
A10	10B8
B1	6C4
B2	4D1
B3	6B5
B4	
B5	
B6	
B7	
B8	6F4
B9	
B10	
C1	
C2	
C3	
C4	9E5
C5	
C6	
C7	
C8	6E4
C9	
C10	9D5
D1	
D2	
D3	
D4	
D5	
D6	
D7	
D8	
D9	4D8
D10	4D7
E1	
E2	
E3	
E4	
E5	
E6	
E7	
E8	
F1	11E7
F2	
F3	
F4	8E4
F5	8E3
F6	
F7	11E4
G1	4C3
G2	
G3	11C7
G4	11E3
G5	11E3

TERM.	LOC.
M1	4E1
M2	
M3	11E2
M4	5D4
M5	10B8
M6	10B8
M7	
J3	7C4
J4	5D4
J5	7D5
J6	4C3
J7	7D4
K1	4C2
K2	4B2
K3	5D4
K4	5B3
K5	5C4
K6	5B2
K7	
L1	11E4
L2	4B4
L3	11F3
L4	7C7
L5	7D1
L6	
L7	
M1	
M2	
M3	
M4	7C4
M5	5B4
M6	7D2
M7	
N1	11E4
N2	
N3	11F4
N4	
N5	
N6	
N7	
P1	
P2	
P3	
P4	
P5	
P6	
P7	
R1	
R2	
R3	
R4	
R5	
R6	
R7	
S1	
S2	
S3	
S4	
S5	
S6	
S7	
T1	
T2	
T3	
T4	
T5	
T6	
T7	



PART NO. 192013



PART NO. 192014

PRINTED CIRCUIT CARDS

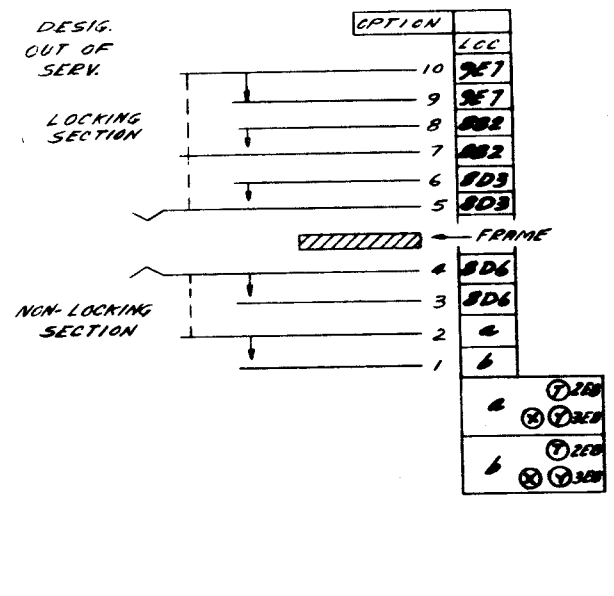
DESIG.	PART NO.	LOC.
LP SELECTOR MAGNET DRIVER	182630	4B6
SIGNAL REGENERATOR	177863	4A2

PINS FOR 192013

CRIMP	173716	27
SOLDER	173241	27
WIRE GAGE	192177	18

DESIG.	F	R
PART NO.	192013	192014
TERM.	LOC.	LOC.
1	4C2	4D6
2	4C3	4D6
3	4B4	7E4
4	4B4	7D4
5	5C2	7B4
6	5C2	6B4
7	5C2	6B4
8	11E7	6F4
9		6F4
10		
11		
12		
13		
14		
15		
16		5D4
17	11B5	11D6
18	4C2	
19		
20		
21		10E1
22		
23		10E3
24		10E2
25		
26		
27		
28		
29		9E4
30		
31		
32	11D4	
33		
34		9E5
35		9D5
36		8F3
37		8F3
38		6D3
39		6C3
40		5D4
41		5C4
42		
43		
44		7F4
45		7E5
46		
47		
48		
49		
50	11B6	11D7

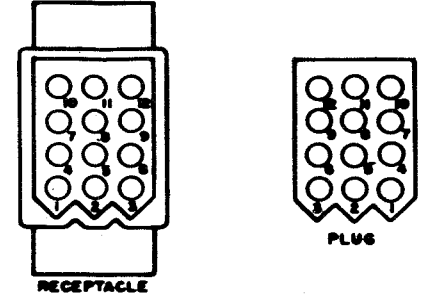
DESIG.	T
PART NO.	145008
TERM.	LOC.
A	7C1
B	7C8
C	5B3
D	
E	
F	
G	7C1
H	7C8
I	5B3
J	
K	
L	



PART NO.	182648	182647
MTS.	CHASSIS	CABLE

TERMINAL NUMBERING AS VIEWED FROM TERMINAL END.  
TERMINALS ARE INDIVIDUALLY INSERTED AND MAY BE EITHER MALE OR FEMALE.

INSERT	PART NO.
MALE	182643
FEMALE	182644

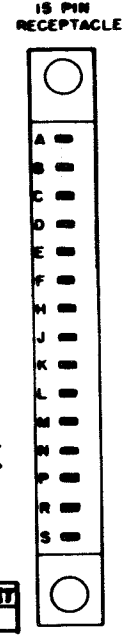


DESIG.	A
PART NO.	193040
TERM.	LOC.
1	7E3
2	7D5
3	5C3
4	5C3
5	
6	5B4
7	5B4
8	
9	
10	5B4
11	4C1
12	4D1

DESIG.	COPYLIGHT	COPYLIGHT
PART NO.	182238	182238
TERM.	LOC.	LOC.
1	11C7	11C7
2	11C7	11C7
3		11C7
4		11C7

DESIG.	T
PART NO.	145008
TERM.	LOC.
A	7C1
B	7C8
C	5B3
D	
E	
F	
G	7C1
H	7C8
I	5B3
J	
K	
L	

DESIG.	NCT
PART NO.	145022
TERM.	LOC.
A	7C1
B	5D4
C	10E2
D	
E	M
F	5C5
G	5M
H	5B3
I	
J	
K	
L	
COIL	5B3



NOTE: REVISION INFORMATION MUST ALSO BE REFLECTED ON THE ISSUE CONTROL RECORD, WHICH IS A PART OF THIS DRAWING.

6020WD-CI

ISSUE	DATE	AUTH. NO.
2	10-2-65	84221
3	2-2-65	85509

DESIG.	A/B
PART NO.	193040
TERM.	LOC.
A	4B3
B	
C	
D	
E	
F	
G	
H	
I	
J	
K	4B2
L	4B1
M	
N	4B2
P	4A1
R	4A3
S	

SEE ISSUE CONTROL RECORD FOR COMPLETE LIST OF SHEETS COMPRISING THIS W.D.

APPARATUS FIGURE FOR  
36A, 35A-XB, 52B-XB,  
35C-XB, F-35C-XB, 25B,  
35C, 35D  
TELETYPEWRITER  
SET (MSR)

APPROVALS  
D AND B OF M  
  
E-NUMBER  
PROD. NO. 6020WD-CI

DATE: 10-5-62  
P.D. FILE NO. G-A151AA  
DRAWN GCK CHKD.   
ENGD. WEC APPD.

TELETYPE CORPORATION  
6020WD-CI

(PART OF)  
APPARATUS FIGURE 1

7" KEYSSET

6020 WD-C2

182732 CONNECTOR

DESIG.	P	T
PART NO.	182733	182732
TERM.	LOC.	LOC.
50	25	
49	24	
48	23	
47	22	
46	21	
45	20	
44	19	
43	18	
42	17	
41	16	
40	15	
39	14	
38	13	
37	12	
36	11	
35	10	
34	9	
33	8	
32	7	
31	6	
30	5	
29	4	
28	3	
27	2	
26	1	

MALE

182733 CONNECTOR

DESIG.	P	T
PART NO.	182733	182732
TERM.	LOC.	LOC.
1	1D7	4F6
2	1D7	4F7
3	1B7	
4	1B7	4F7
5	1F7	4F8
6	1F7	
7	1F2	4F4
8	1E2	4F1
9	1E2	5F4
10	1B2	5F4
11	1B2	
12	1B2	
13	1D2	
14	1B2	6F5
15	1C2	6C5
16	1D2	6D5
17	5F7	3C5
18		5F7
19	7E2	6B6
20	2C3	
21	5F7	11E2
22	1C2	10E2
23	2C3	4E3
24	a	
25	b	
26	2C3	
27	2C3	
28		
29	3E2	
30	3B2	
31	c	
32	7D6	
33	8D6	
34	8E6	10E1
35	8E6	
36	1C7	
37	1C7	
38	1C7	
39	1E7	
40	1B2	
41	3D2	
42	3D2	
43		
44	8E6	11E2
45	1A2	8F6
46	1E2	9B4
47	3C2	9B4
48		9C4
49	11E2	6F5
50		9C4

FEMALE

15 PIN RECEPTACLE



CONNECTOR

DESIG.	SMD
PART NO.	181819
TERM.	LOC.
A	4C6
B	4C5
C	4C5
D	
E	
F	
G	
H	
J	
K	
L	
M	4C6
N	4C5
P	4C6
R	4C5
S	4C6

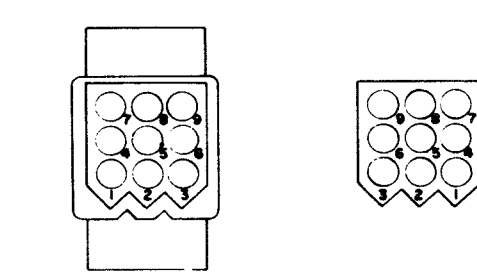
PART NO. 181819  
SOME UNITS CONTAIN  
182536 CONNECTOR.

TERMINAL BOARD

DESIG.	H	H
PART NO.	182717	182717
OPTION	(1)	(2)
TERM.	LOC.	LOC.
1		3D2
2		3E2
3		3C2
4		3F3
5	2E3	3E3
6		3B2
7		
8		3E4
9		3E4
10	2F3	3E3
11		3D2
12	2E5	3E5
13		3E6
14	2C5	3A2
15	2C3	
16	2C3	
17	2F7	3F8
18	2F7	3F8

TERMINAL BLOCK

DESIG.	K
PART NO.	181411
TERM.	LOC.
1	11B2
2	11B2
3	11A2
4	11D3
5	a
6	b
7	8E5
8	8E5
9	
a	2F7
b	3F7
c	2F7
d	3F7



PART NO.	182716	182645
MTG.	CHASSIS	CABLE

TERMINAL NUMBERING AS VIEWED FROM TERMINAL END  
TERMINALS ARE INDIVIDUALLY INSERTED AND MAY BE EITHER MALE OR FEMALE

INSERT	PART NO.
MALE	182643
FEMALE	182644

CONNECTOR

DESIG.	E
PART NO.	182645
TERM.	LOC.
1	4D5
2	
3	4D6
4	
5	4C6
6	4C6
7	4C5
8	4E6
9	

BUZZER

DESIG.	LOC.	PART NO.
BUZZER	9C3	182718

RINGER

DESIG.	LOC.	PART NO.
RINGER	8D5	182503

CARD

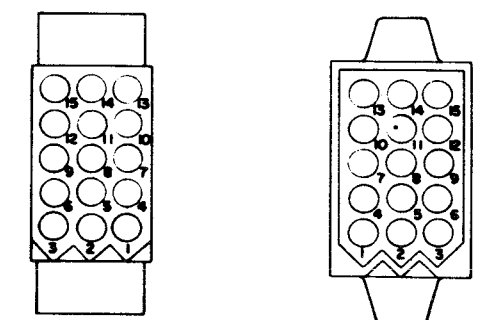
DESIG.	LOC.	PART NO.
U	11B2	182810

SPEAKER

DESIG.	LOC.	PART NO.
AB	a	18347B
		2FB
		3FB

CONVENIENCE RECEPTACLE

DESIG.	LOC.	PART NO.
M	11B3	178831



PART NO.	182539	182540
MTG.	CHASSIS	CABLE

TERMINAL NUMBERING AS VIEWED FROM TERMINAL END  
TERMINALS ARE INDIVIDUALLY INSERTED AND MAY BE EITHER MALE OR FEMALE

INSERT	PART NO.
MALE	182643
FEMALE	182644

DEIS. (NL)

CLR (NL)

ANS. (NL)

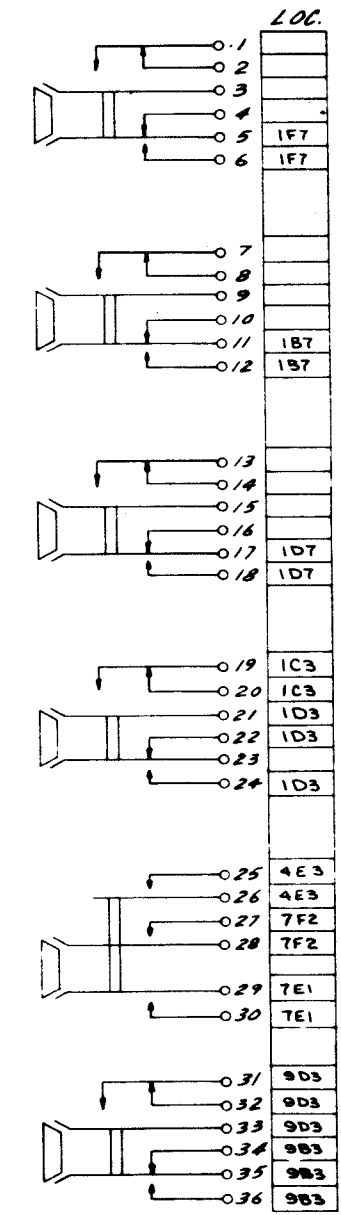
TST (L)

LCL (L)

BUZ 2L5 (L)

CONNECTOR

DESIG.	D	D	V	W	X
PART NO.	182539	182539	182539	182539	182539
OPTION	C	D			
TERM.	LOC.	LOC.	LOC.	LOC.	LOC.
1	10D3		4E7	11E4	4D1
2	9E6	9E6	4E8	4D5	4D5
3	9C5		4D4	4D6	8F5
4	10E2		11E2	4D6	11E7
5	10C1		5E4	7D2	7D6
6	10D2		5E4	11D4	
7	9B8		10E1	11B5	10E2
8	7C6	7C6	6F5	11B5	10D1
9	4E5	4E5	9C5	7C7	10D2
10	10E3		6D4	7D1	10D3
11	10E3		6D4	11E4	9E6
12	8E7	8E7	8E4	11E3	9D4
13	10E5		6B5		8E5
14			6E5		
15	4E5	4E5	5E7		



ISSUE	DATE	AUTH. NO.
2	12-18-62	75364
3	10-12-64	84221
4	5-10-66	90658
5	5-7-68	95523-4
6	5-16-69	99164

NOTE: REVISION INFORMATION MUST ALSO BE REFLECTED ON THE ISSUE CONTROL RECORD, WHICH IS A PART OF THIS DRAWING.

SEE ISSUE CONTROL RECORD FOR COMPLETE LIST OF SHEETS COMPRISING THIS W.D.

APPARATUS FIGURE FOR 35A, 35B, 35C, 35D, 35A-XB, 35B-XB TSC-XB, 35D-XB, TELETYPE SET (MSR)

APPROVALS

D AND B: [Signature]

E OF M: [Signature]

E-NUMBER

PROD. NO. 6020WD-C2

DATE: 10-5-62

P.O. FILE NO. G-A151A

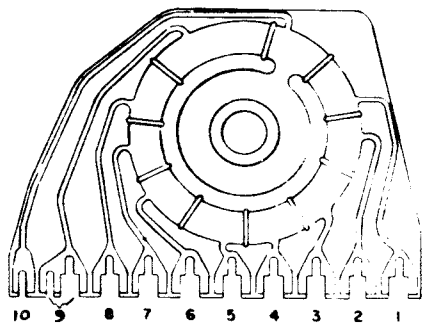
DRAWN GCK CHMD. [Signature]

ENGR. WEC APPD. [Signature]

TELETYPE CORPORATION

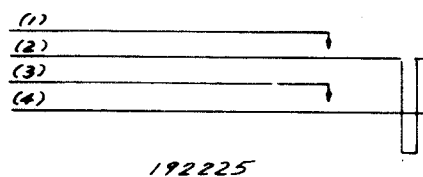
6020WD-C2

SEE ISSUE CONTROL SHEET FOR NOTES.



**DISTRIBUTOR DISC**

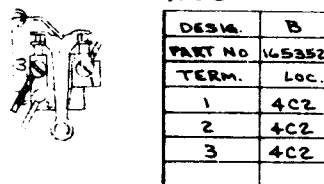
DESIG.	LOC.	PART NO.
1	4C1	180887
2	4C1	
3	4C1	
4	4C2	
5	4C2	
6	4C2	
7	4C2	
8	4C2	
9	4C2	
10	4C1	



**SWITCH**

DESIG.	LOC.	PART NO.
1	7E5	192225
2	7E5	
3	5C3	
4	5C3	

**SIGNAL GENERATOR KBD**



DESIG.	LOC.	PART NO.
1	4C2	165352
2	4C2	
3	4C2	

**MAGNET COILS**

DESIG.	LOC.	PART NO.
A.B. CLUTCH TRIP	5B5	214M

**MOTOR**

DESIG.	LOC.	PART NO.
LMU 3	11C5	151785

**TERMINAL STRIP**

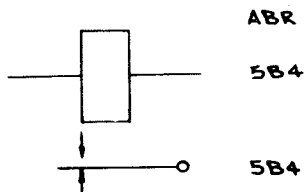
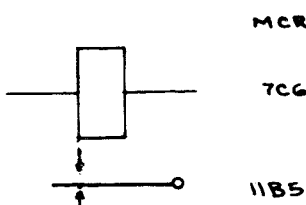
DESIG.	S	F
1	11B5	8D6
2	11B5	8E5
3	11B4	8D5
4		8D6

**SWITCH**

DESIG.	LOC.	PART NO.
KBD TIMING CONTACT	4B4	192486
KBD UNIVERSAL	5C2	178144
MARSH 1 INDICATOR	11F8	158163

(PART OF) APPARATUS FIGURE 1

**RELAY**



**BELL**

DESIG.	LOC.	PART NO.
BELL	11C6	193451

**DIODES**

DESIG.	LOC.	PART NO.
CR4	5B3	171541 OR 182520
CR5	5B3	171541 OR 182520
CR6	7D1	171541 OR 182520
CR7	7D3	171541 OR 182520
CR8	7D4	171541 OR 182520
CR9	11F4	171541 OR 182520
CR10	11F4	171541 OR 182520
CR11	11F4	171541 OR 182520
CR12	11F4	171541 OR 182520
CR11A	4B1	197464 NOTE 9

**NETWORKS**

DESIG.	LOC.	PART NO.
ABR	5B4	153631
MCR	7C6	153631
BUZZER	9C2	153631
NCT	5A3	153631
EARD DIAL	2C6	334167

**TRANSFORMER**

DESIG.	LOC.	PART NO.
TR2	4D6	340223
TR	11E4	182667
COPYRIGHT	11B7	193412

SOME UNITS CONTAIN 1B722 TRANSFORMER

**LAMP**

DESIG.	LOC.	PART NO.
NO COM	1A3	182629
SVC	1B3	182629
BY	1B3	182629
INCPY	1B3	182629
DIAL	1B3	182629
PA	1B3	182629
TST	1D3	182629
BRK ELS	1E3	182629
REST	1F3	182629
CLR	1C7	182629
AMS	1C7	182629
ORIG.	1F7	182629
LCL	7D1	182629
OUT OF SERVICE	8B3	182629
BUZZ ELS	9C3	182629
(2) COPY	11C7	151882
MARGIN INDICATOR	11D7	142189

**CAPACITOR**

DESIG.	LOC.	PART NO.	VALUE
C3	4C6	182501	1500MFD
C2	8D6	182761	.5MFD

**RESISTOR**

DESIG.	LOC.	PART NO.	VALUE	NOTE
R5	4B6	182617	35Ω	
R6	7C1	165330	1KΩ	
R7	7C8	171524	700Ω	
AA	e	182629	50Ω	
⊕	2F7			
⊗	3F7			
R8	5C2	118187	27KΩ	3

**FUSE**

DESIG.	LOC.	PART NO.	VALUE	NOTE
C	11C8	117176	1/2 AMP. SL-BL	
R	11B3	161136	6 1/2 AMP. SL-BL	
AG	11D5	117176	1/2 AMP. SL-BL	4
AG	11D5	162360	1/10 AMP. SL-BL	4

NOTE: REVISION INFORMATION MUST ALSO BE REFLECTED ON THE ISSUE CONTROL RECORD, WHICH IS A PART OF THIS DRAWING.

**6020 WD-C3**

ISSUE	DATE	AUTH. NO.
2	3-5-63	75002
3	3-10-64	81108
4	10-12-64	84221
5	2-2-65	85309
6	2-15-65	85922
7	8-6-65	88293
8	9-2-65	88068
9	8-18-67	94324-B
10	5-8-68	9523-4
11	12-16-68	96463
12	12-21-69	99875

WDP

SEE ISSUE CONTROL RECORD FOR COMPLETE LIST OF SHEETS COMPRISING THIS W.D.

APPARATUS FIGURE FOR 35A, 35B, 35C, 35D, 35A-X3, 35B-X3, 35C-X3, 35D-X3. TELETYPEWRITER SET (KSR)

**APPROVALS**

D AND E OF M

E-NUMBER PROD. NO. 6020 WD-C3

DATE: 10-5-62  
P.D. FILE NO. G-A151AA  
DRAWN GCK CHKD JYH  
ENGD. WEC APPD.

TELETYPE CORPORATION

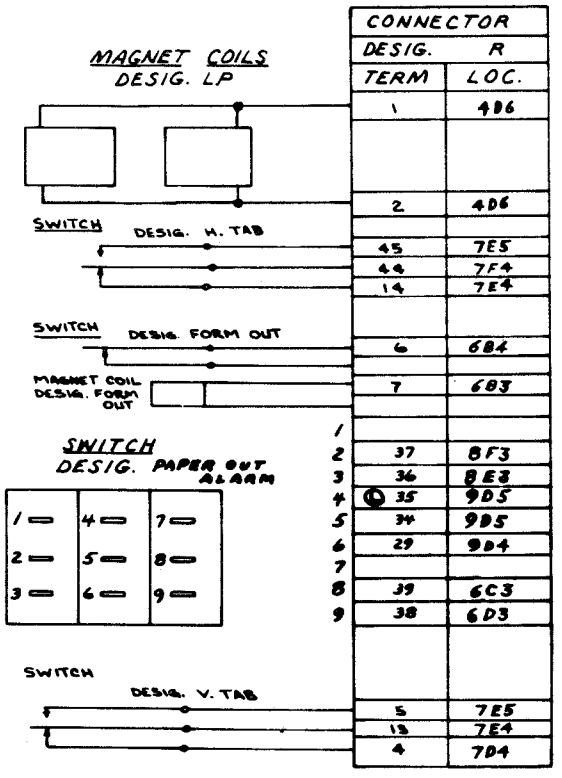
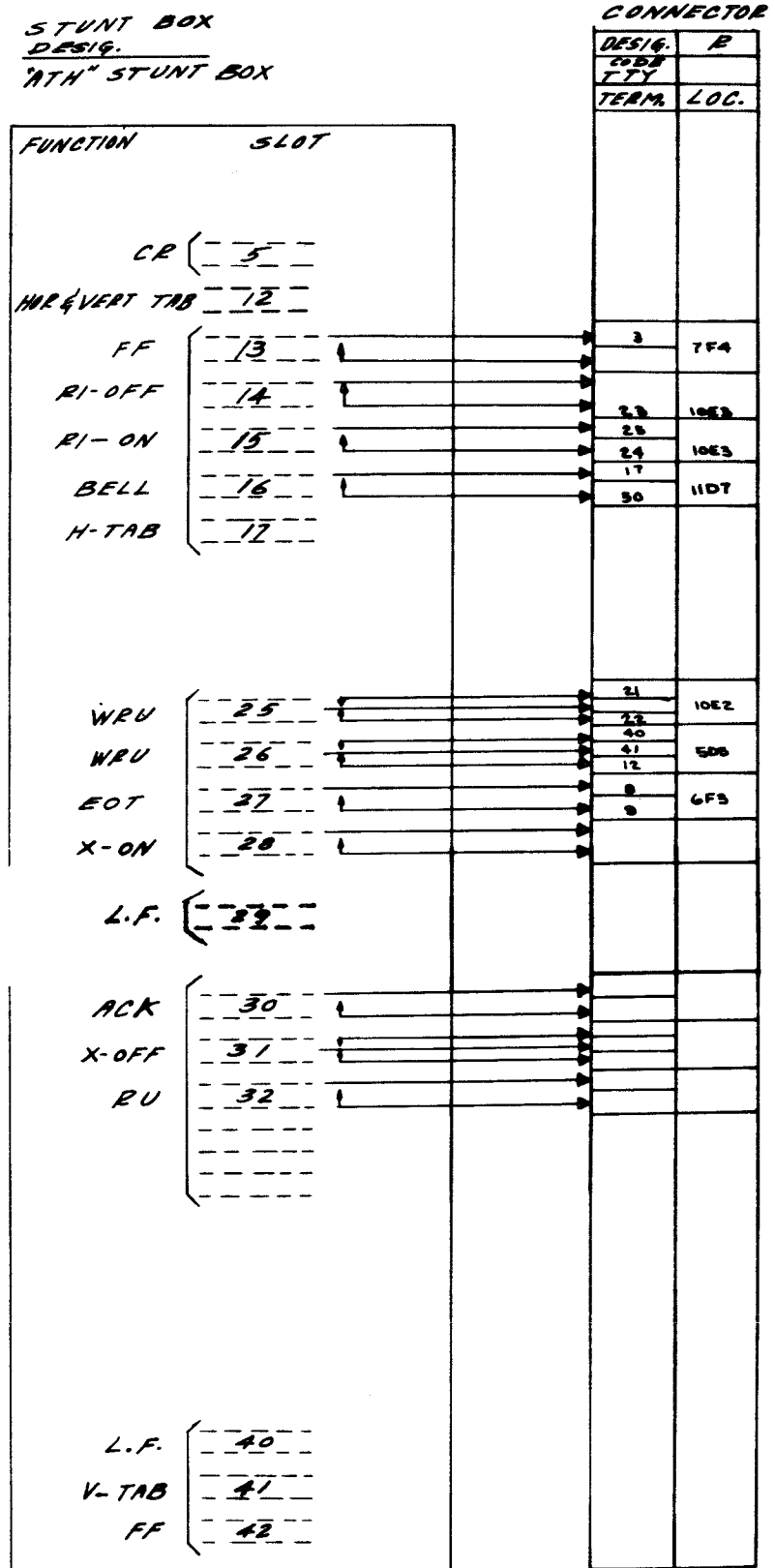
6020 WD-C3

APPARATUS FIGURE 4

NOTE: REVISION INFORMATION MUST ALSO BE REFLECTED ON THE ISSUE CONTROL RECORD WHICH IS A PART OF THIS DRAWING.

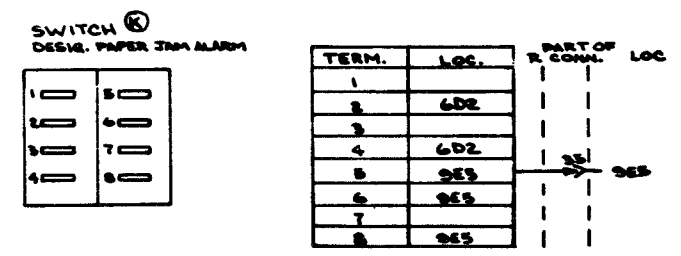
6020WD-C6

ISSUE	DATE	AUTH. NO.
2	5-8-64	81597-1
3	10-12-64	84221



**NETWORK**

DESIG.	LOC.	PART NO.
FORM OUT	6A3	153631



SEE ISSUE CONTROL RECORD FOR COMPLETE LIST OF SHEETS COMPRISING THIS W.D.

APPARATUS FIGURE FOR 35A, 35B, 35C, 35D  
35E-XB, 35F-XB, 35G-XB, 35H-XB  
35I-XB, 35J-XB.

TELETYPE UNIT SET (C.S.R.)

APPROVALS

D AND R	E OF M
<i>[Signature]</i>	<i>[Signature]</i>

C-NUMBER

PROD. NO. 6020WD-C6

DATE: 10-8-62

P.D. FILE NO. 6-A151AA

DRAWN GCK

CHKD. *[Signature]*

ENGR. WEC

APPD.

TELETYPE CORPORATION

6020WD-C6



APPARATUS FIGURE 3

NOTE: REVISION INFORMATION MUST ALSO BE REFLECTED ON THE ISSUE CONTROL RECORD, WHICH IS A PART OF THIS DRAWING.

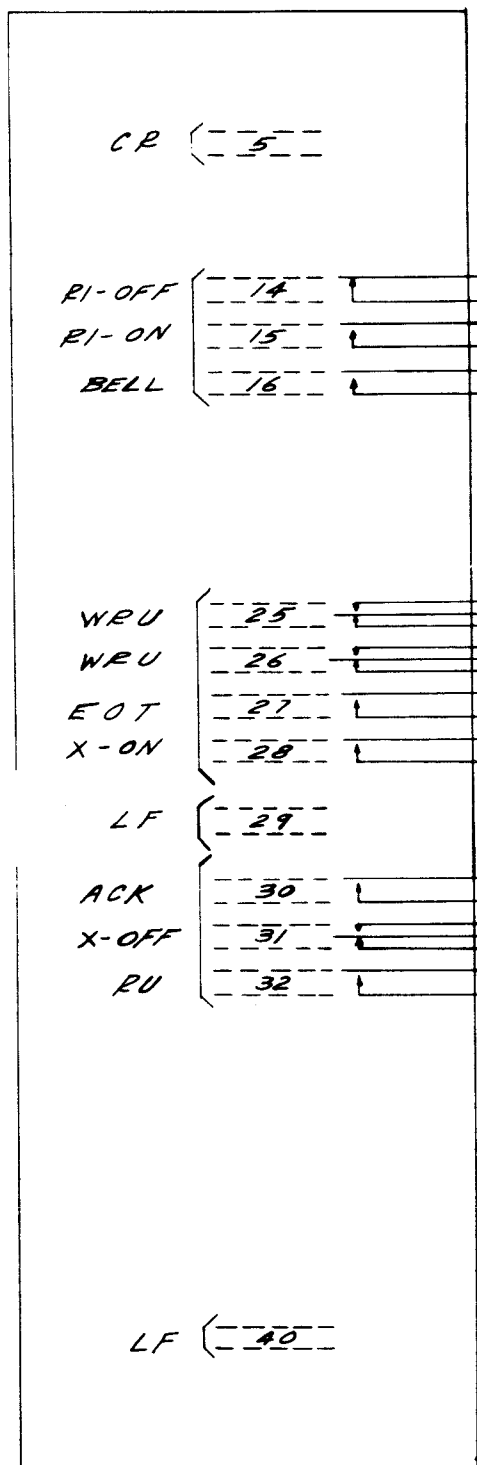
6020WD-C5

ISSUE	DATE	AUTH NO.
1	4-20-64	81597
2	10-12-64	84221

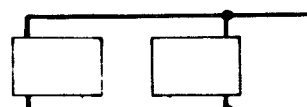
STUNT BOX  
DESIG. "ATG"

CONNECTOR

DESIG.	R
TTY	
TERM.	LOC.



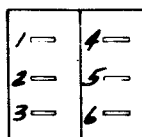
MAGNET COILS  
DESIG. LP



DESIG.	R
TERM.	LOC.

1	406
2	406

SWITCH  
DESIG. PAPER OUT  
ALARM



1	35	905
2	34	905
3	29	905
4		
5	37	873
6	36	873

SEE ISSUE CONTROL RECORD FOR COMPLETE LIST OF SHEETS COMPRISING THIS W.D.

APPARATUS FIGURE FOR  
35A, 35B, 35C, 35D  
35A-X3, 35B-X3, 35C-Y8  
35D-X3.  
TELETYPEWRITER  
SET (KSR)

APPROVALS

D AND E OF M

E-NUMBER

PROD. NO. 6020WD-C5

DATE: 10-5-62

P.D. FILE NO. G-A151AA

DRAWN GCK CHKD Jsh

ENGD. WEC APPD.

TELETYPE CORPORATION

6020WD-C5

APPARATUS FIGURE 4

NOTE: REVISION INFORMATION MUST ALSO BE REFLECTED ON THE ISSUE CONTROL RECORD WHICH IS A PART OF THIS DRAWING.

6020WD-C6

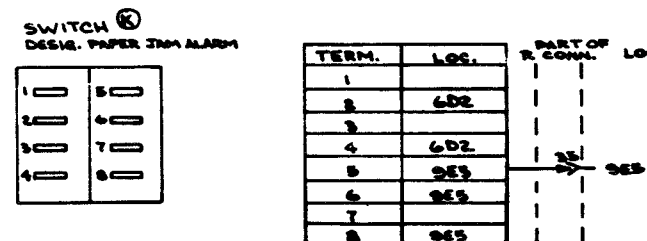
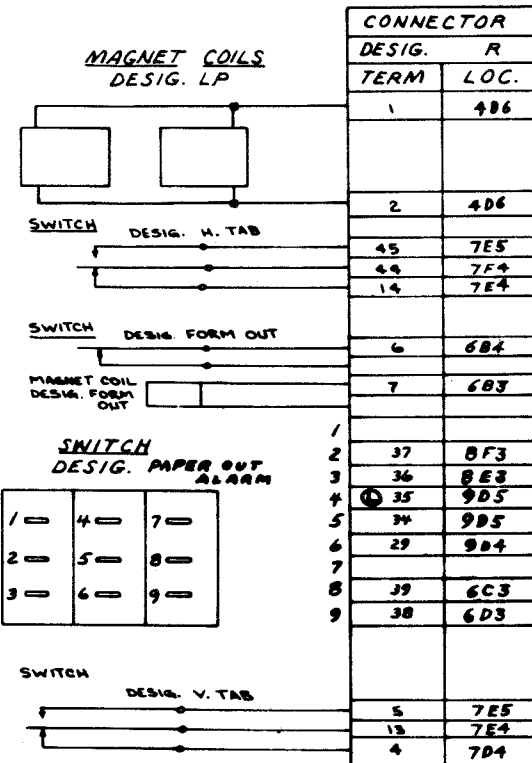
ISSUE	DATE	AUTH. NO.
2	5-8-64	81597-1
3	10-12-64	84221

STUNT BOX  
DESIG.  
"ATH" STUNT BOX

CONNECTOR

FUNCTION	SLOT
CR	5
INH/VERT TAB	12
FF	13
RI-OFF	14
RI-ON	15
BELL	16
H-TAB	17
WRU	25
WRU	26
EOT	27
X-ON	28
L.F.	29
ACK	30
X-OFF	31
RU	32
L.F.	40
V-TAB	41
FF	42

DESIG.	R
TERM.	LOC.
3	7F4
23	10E2
24	10E3
17	11D7
21	10E2
22	10E2
40	5D8
41	5D8
12	6F5
8	6F5
21	6D2
22	6D2
23	6E3
24	6E3
25	6E3
26	6E3
27	6E3
28	6E3
29	6E3
30	6E3
31	6E3
32	6E3
40	7E5
41	7E4
42	7D4



SEE ISSUE CONTROL RECORD FOR COMPLETE LIST OF SHEETS COMPRISING THIS W.D.

APPARATUS FIGURE FOR  
35A, 35B, 35C, 35D  
35E-38, 35Z-38, 35Z-K1  
35Z-K2.

TELETYPE  
SET (M.S.R.)

APPROVALS

D AND R: [Signature] E OF M: [Signature]

E-ENGINEER

PROJ. NO. 6020WD-C6

DATE: 10-5-62

P.O. FILE NO. G-A151AA

DRAWN GOK. CHD. [Signature]

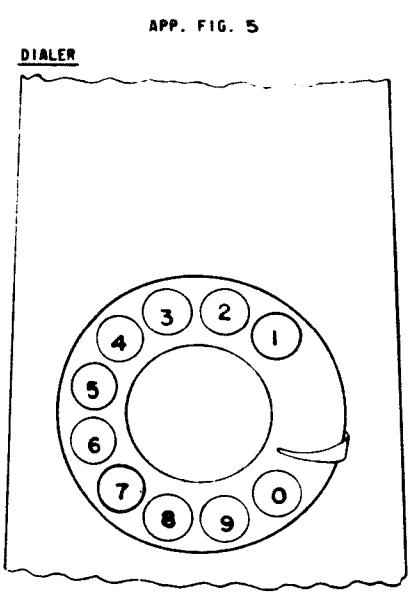
ENG. WEC. APPD. [Signature]

TELETYPE CORPORATION

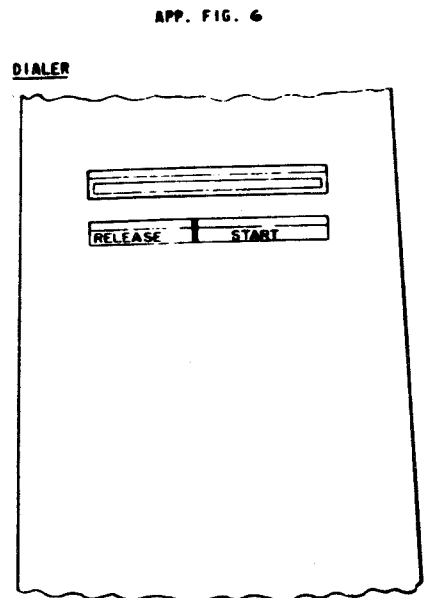
6020WD-C6

NOTE: REVISION INFORMATION MUST ALSO BE REFLECTED ON THE ISSUE CONTROL RECORD WHICH IS A PART OF THIS DRAWING.

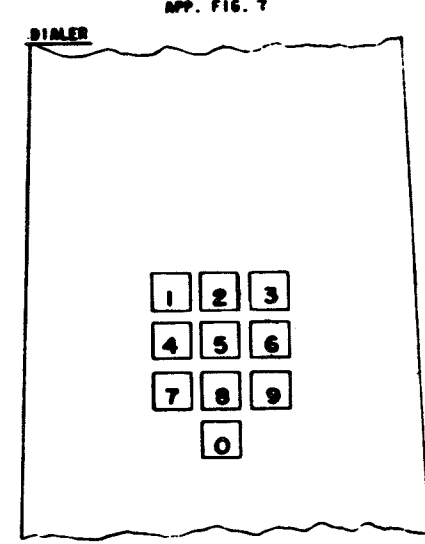
ISSUE	DATE	AUTH NO.
2	12-13-62	75364
3	12-9-63	79390
4	10-12-64	84221
5	5-19-69	99164



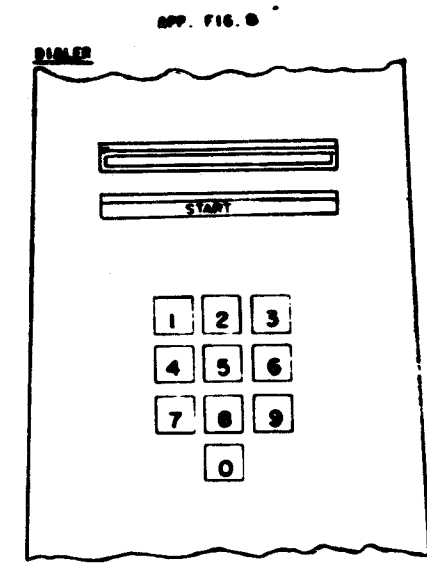
DESIG. 8G PULSE DIALER  
LOC. 2C5, 2F8  
OPTION  
CODE WECO 8G  
BSP SECTION  
501-162-100  
TELETYPE NO.  
182500



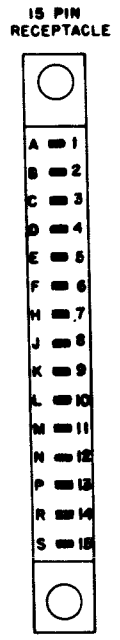
DESIG. 41A PULSE DIALER  
LOC. 2B7  
OPTION  
CODE WECO 41A  
BSP SECTION  
501-163-101  
TELETYPE NO.  
182622



DESIG. TOUCH-TONE DIALER 25 FI-49  
LOC. 3C4  
OPTION  
CODE WECO 25FI-49  
BSP SECTION  
501-164-105  
TELETYPE PART  
NO. 182620



DESIG. TOUCH-TONE CARD DIALER 26-C-49  
LOC. 3B4  
OPTION  
CODE WECO 26C-49  
BSP SECTION  
501-164-106  
TELETYPE NO.  
182621

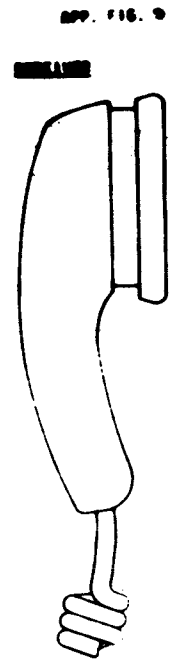


PART NO. 182536

CONNECTOR

DESIG.	M	N
PART NO.	182536	182536
OPTION	T.U.I.	M.X.Y.
TERM.	LOC.	LOC.
A		3E4
B	2F7	3F7
C	2E4	3F3
D	2F4	3F3
E	2E5	3E4
F	2F7	3F7
H	2F7	3F7
J		
K		
L	2F4	3F3
M	2E7	3E7
N	2E7	3E7
P	2F4	3F3
R	2F4	3F3
S	2E5	3E5

FILTER  
DESIG. CJ  
LOC. 2C4  
OPTION  
TELETYPE NO.  
182532



DESIG.-REC.  
LOC. -A  
OPTION  
PART NO. 182662  
WECO CODE  
731A61  
A 2F7  
3F8

APP. FIG. 10: PRINTED CIRCUIT CARDS

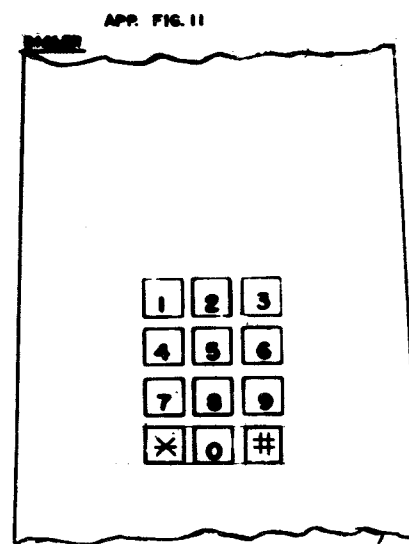
DESIG	PART NO	LOC
TURN AROUND TRAFFIC CONTROL	177519	10D4

RESISTOR

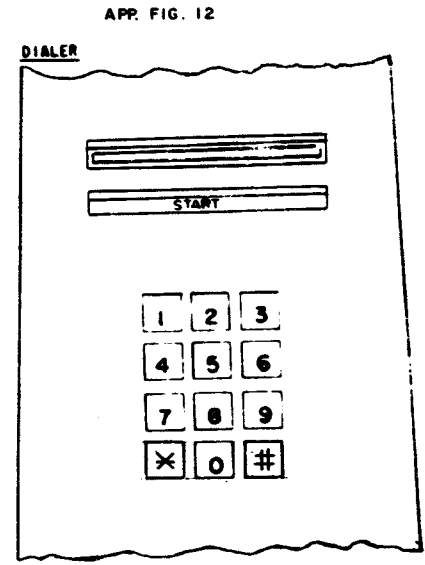
DESIG.	LOC.	PART NO.	VALUE
R2	3E3	182705	2000
PT	3E4	182706	5000

CAPACITOR

DESIG.	LOC.	PART NO.	VALUE
CK	3E5	182709	25000



DESIG. TOUCH-TONE DIALER 35NIA  
LOC. 3C4  
OPTION  
CODE WECO 35NIA  
BSP SECTION  
501-164-115  
TELETYPE PART  
NO. 186595



DESIG. TOUCH-TONE CARD DIALER 36J  
LOC. 3B4  
OPTION  
CODE WECO 36J  
BSP SECTION  
501-164-115  
TELETYPE NO.  
186596

PRINTED CIRCUIT CARD

DESIG.	PART NO.	LOC.
AMPLIFIER CARD	182743	2F8
		3F8

SEE ISSUE CONTROL RECORD FOR COMPLETE LIST OF SHEETS COMPRISING THIS W.D.

APPARATUS FIGURES FOR 35A, 35B, 35C, 35D, 35A-X3, 35B-X3, 35C-X3, 35D-X3. TELETYPEWRITER SET (KSR)

APPROVALS

D AND R E OF M

E-NUMBER

PROD NO 6020WD-C7

DATE 10-5-62

R.D FILE NO. G-A151AA

DRAWN GCK CHKD. J. J. J.

ENGD. WEC APPD.

TELETYPE CORPORATION

