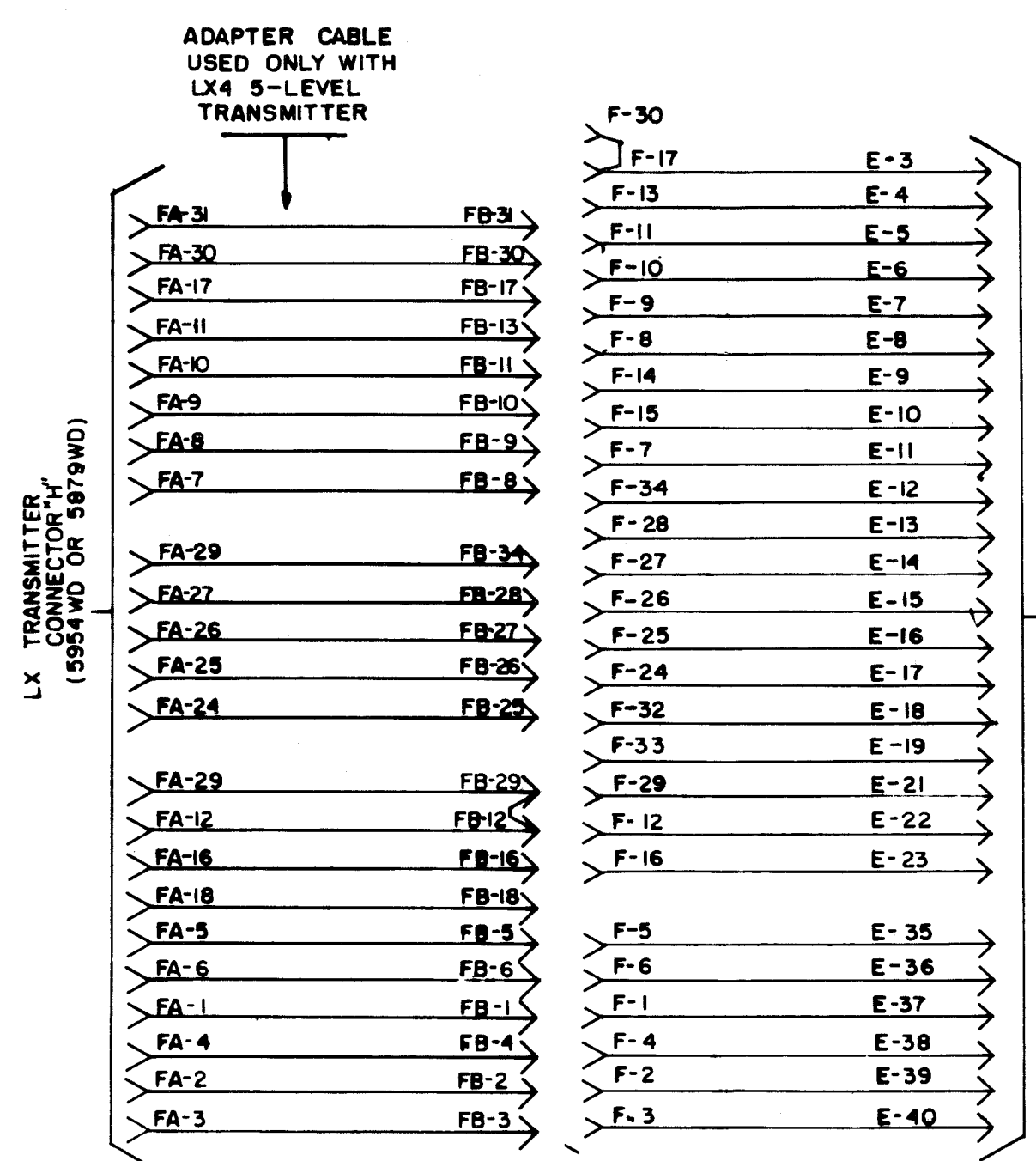
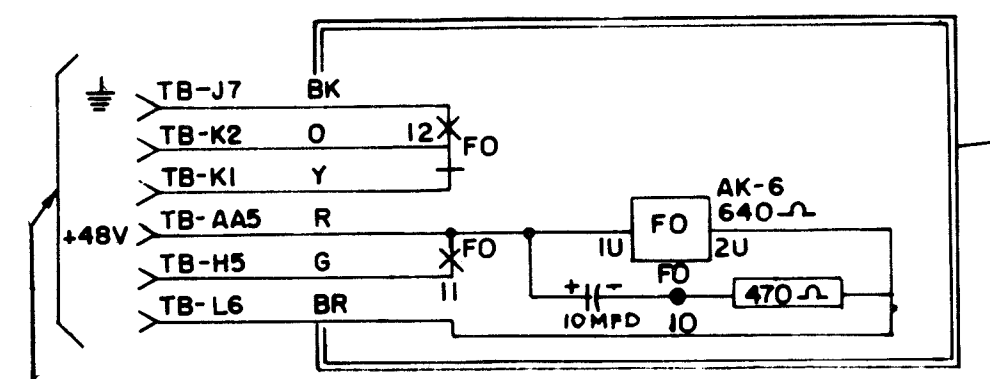


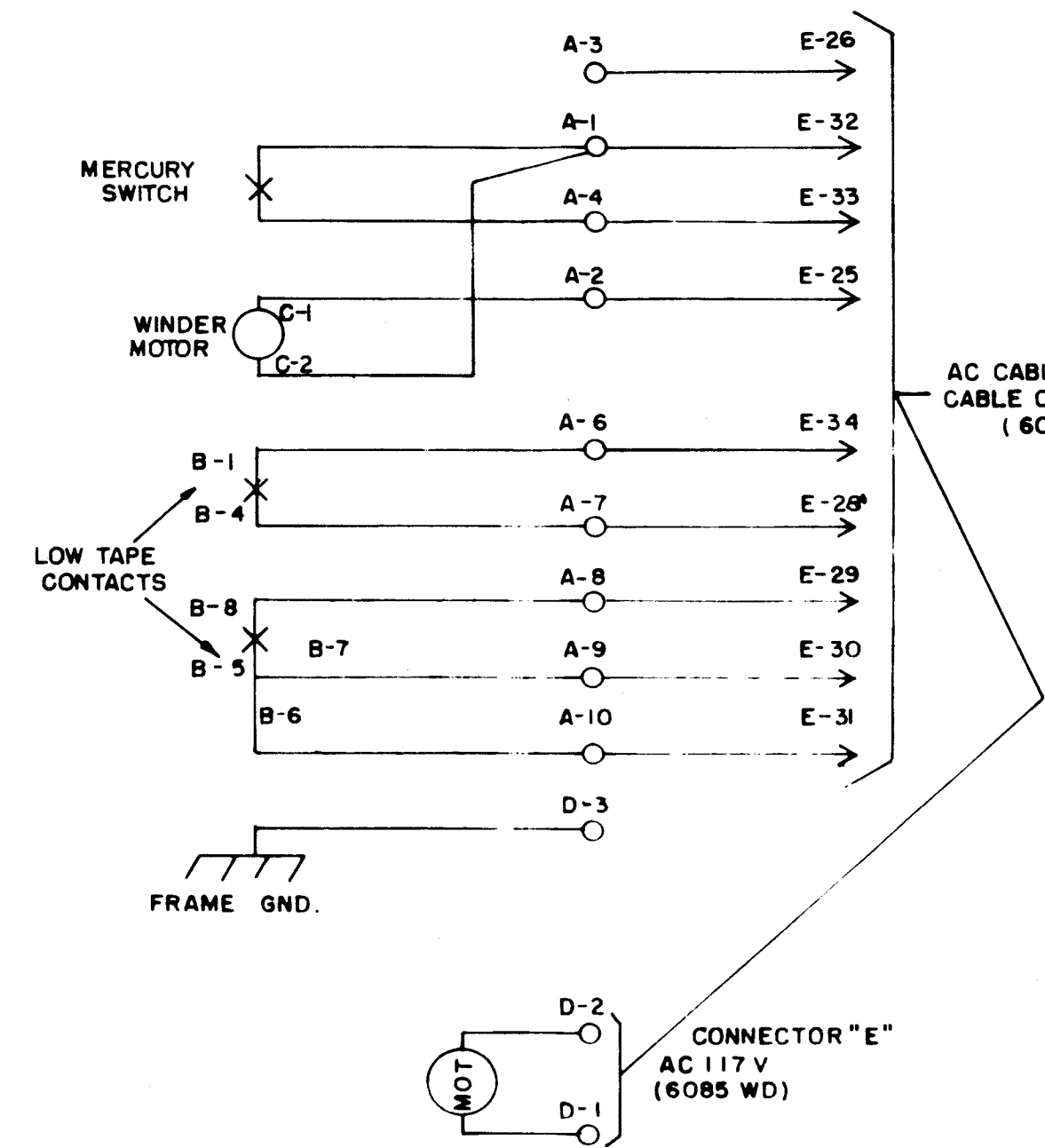
- NOTES**
- REFER TO 6022 WD FOR ACTUAL WD.
 - "TB" NUMBERS INDICATE CONNECTIONS TO TERMINAL BOARD IN 194605 SERVICE UNIT ASSEMBLY
 - INDICATES FEMALE AND → INDICATES MALE TERMINALS
 - ALL VOLTAGES D.C. UNLESS OTHERWISE SPECIFIED



AC CABINET CABLE CONNECTOR "K" (6085 WD)



194608 FEED OUT ASSEMBLY "FO"



| | | |
|-----------|---------|-----------|
| 6021 WD | | |
| REVISIONS | | |
| ISSUE | DATE | AUTH. NO. |
| 2 | 7-9-64 | 82984 |
| 3 | 7-10-64 | 83009 |

SCHEMATIC WIRING DIAGRAM FOR TAPE TO TAPE PANEL ASSEMBLY VCL 283 AND VCL 316 ASSEMBLY NO. 194548

APPROVALS

| | |
|---------|--------|
| R AND D | E OF M |
| | |

E NUMBER

PROD. NO. 6021 WD

DATE: 2-1-63

R. & D. FILE NO. 3-95AAA

DRAWN R.A.L. CHKD.

ENGD. P.H.B. APPD.

TELETYPE CORPORATION

6021 WD