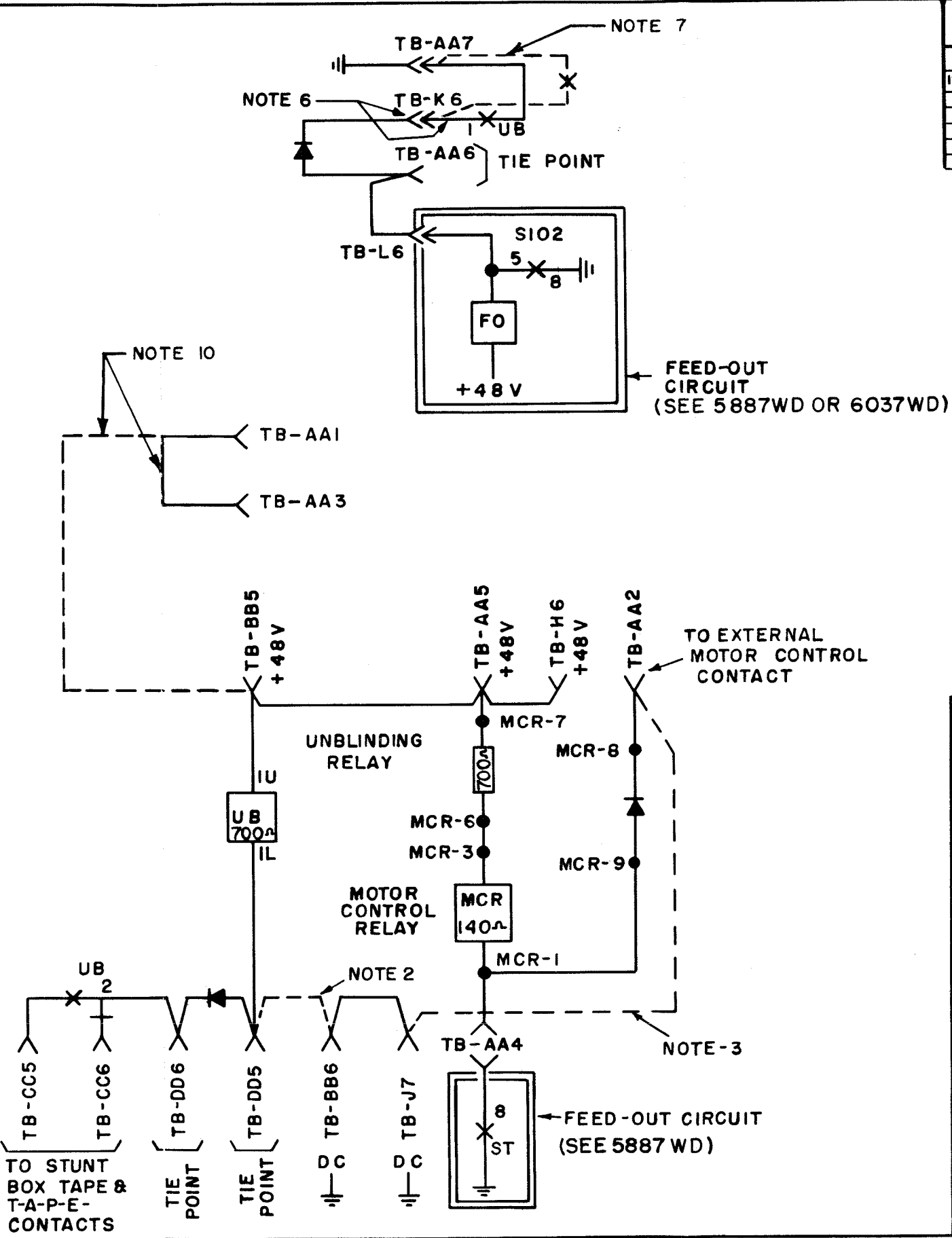
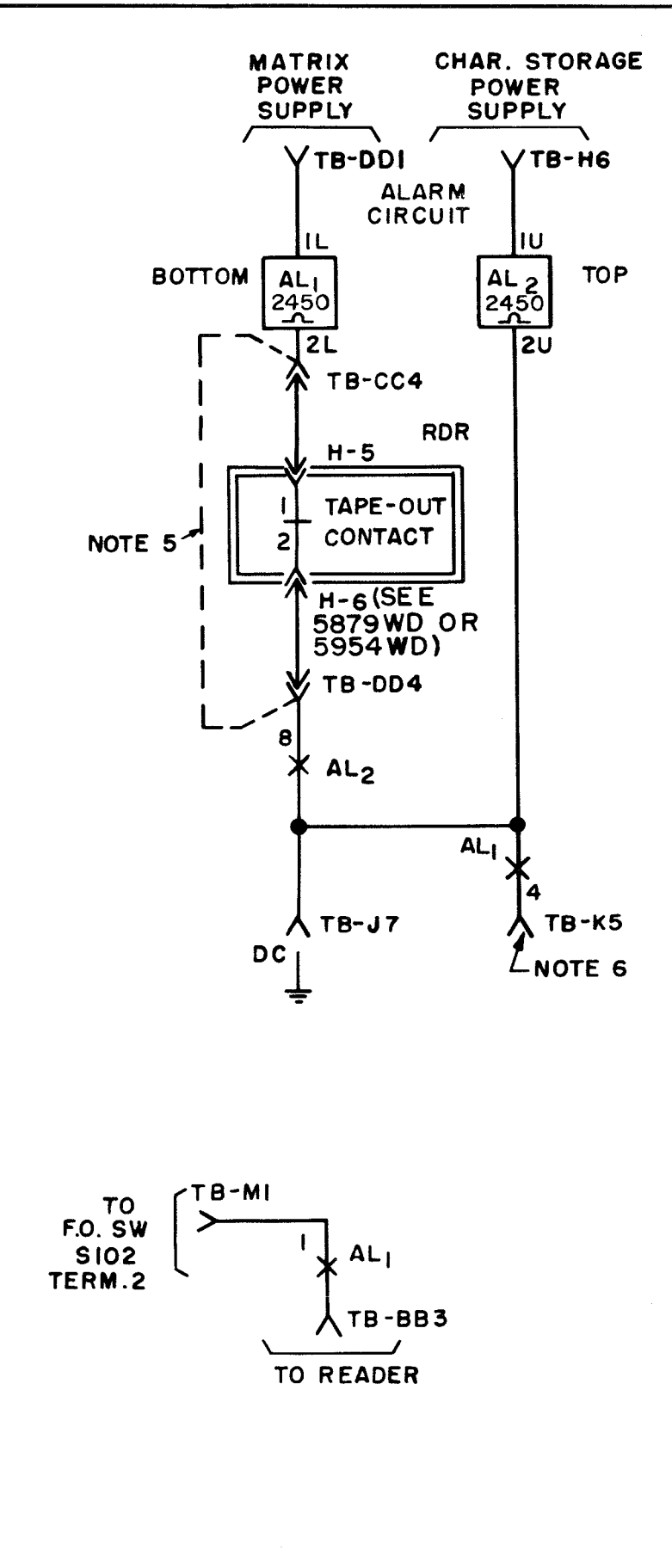
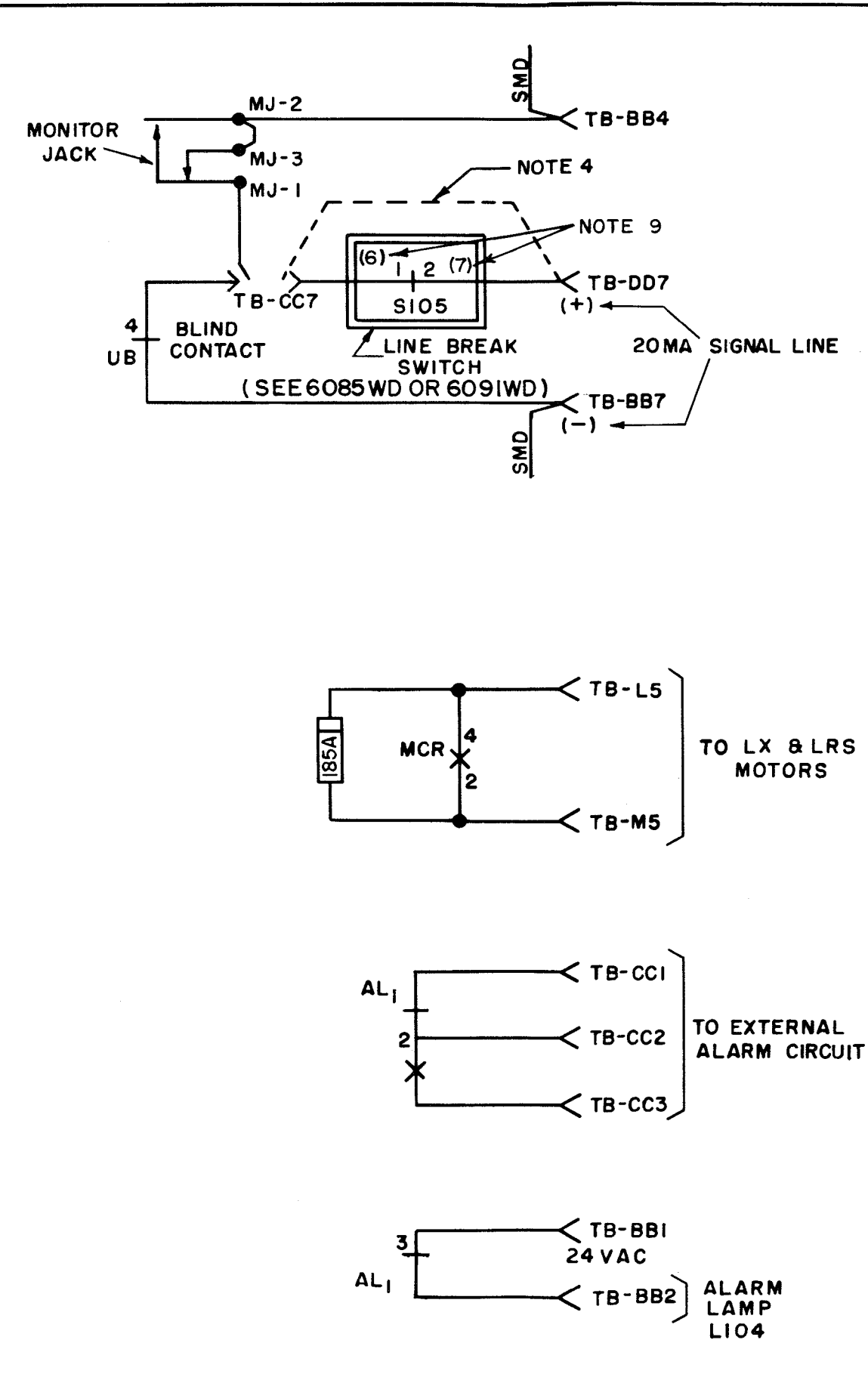


ISSUE	DATE	AUTH. NO.
2	9-24-63	78176
3	7-10-64	82990

- NO NOTES
- FOR WIRING LIST REFER TO 6024 WD
 - ADD STRAP ACROSS DD5 AND BB6 TO DISABLE BLINDING CIRCUIT
 - ADD STRAP ACROSS AA2 AND J7 TO RUN MOTOR CONTINUOUSLY
 - ADD STRAP ACROSS CC7 AND DD7 TO DISABLE LINE BREAK KEY
 - ADD STRAP ACROSS CC4 AND DD4 WHEN CONVERTER IS USED AS A SIGNAL-TO-TAPE TRANSLATOR
 - STRAP TB-K5 TO TB-K6 WHEN AUTOMATIC LTRS FEED-OUT IS REQUIRED FOR TAPE-TO-TAPE CONVERTERS. REMOVE CONNECTION TO CONTACT 1 UB AND TIE BACK.
 - CIRCUIT IS WIRED FOR STUNT-BOX CONTROL OF FEED-OUT RELAY, FO, THROUGH UNBLIND RELAY, "UB" IF EXTERNAL CONTROL IS DESIRED. DISCONNECT LEAD BETWEEN TB-K6 AND TB-AA7 AND CONNECT EXTERNAL CONTACT TO TERMINALS.
 - INDICATES FEMALE AND INDICATES MALE TERMINALS.
 - DESIGNATIONS (6) AND (7) ARE USED FOR THE 5-8 LEVEL CODE CONVERTER.
 - 5-8 LEVEL CONVERTER IS WIRED FOR VERTICAL PARITY. IF CONTINUOUS MARK IS DESIRED IN THE 8TH LEVEL, REMOVE STRAP FROM TB-AA1 AND CONNECT TO TB-BB5.
- RTTY ELECTRONICS
TELETYPE Sales-Service-Parts
PO Box 20101 El Sobrante, Ca.
94820. (510)222-3102
mr_rtty@pacbell.net



SCHEMATIC WIRING DIAGRAM

194605 SERVICE UNIT ASSEMBLY

APPROVALS

DANDR	E OF M
-------	--------

E-NUMBER

PROD. NO 6023 WD

DATE 1-17-63

P.D. FILE NO 3-95 AAA

DRAWN C G

ENGD PHB

TELETYPE CORPORATION

6023WD