

6024WD

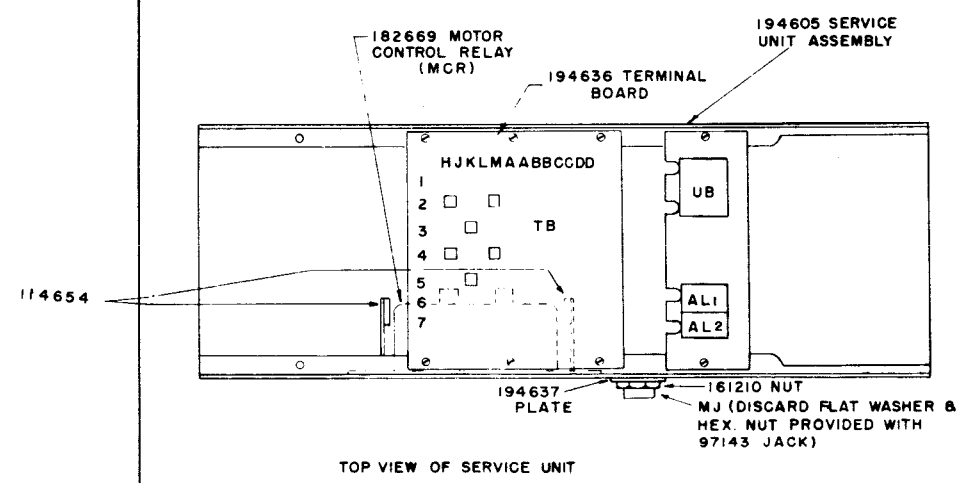
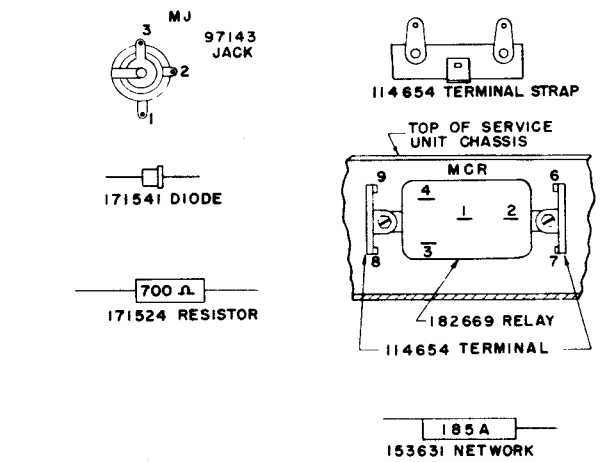
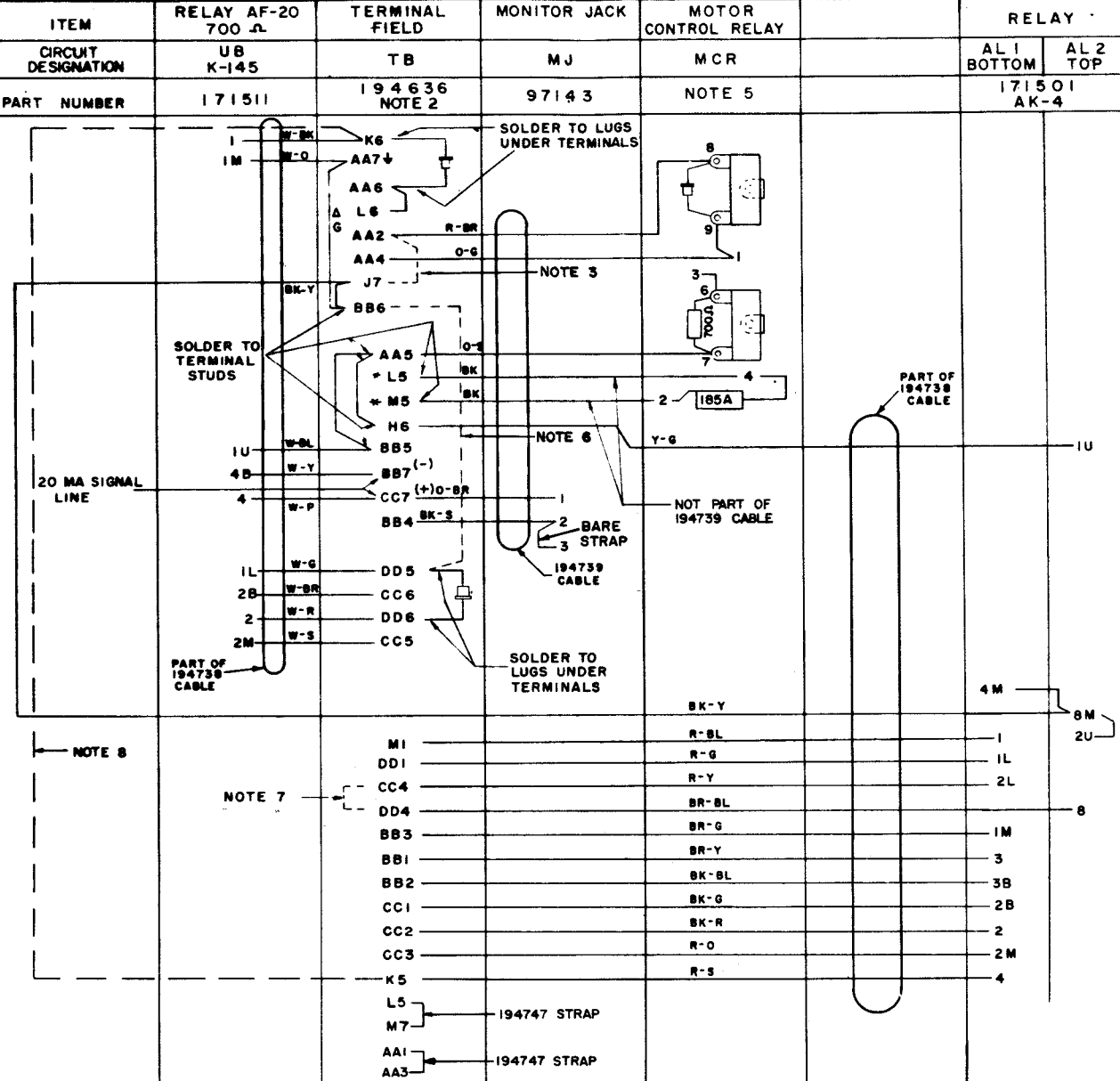
REVISIONS

ISSUE	DATE	AUTH. NO.
2	8-13-63	77403
3	9-5-63	77874
4	6-9-64	82051
5	7-10-64	82990

- NO. NOTES
- REFER TO 6023WD FOR SCHEMATIC.
 - ALL WIRES CONNECTED TO TOP OF TERMINAL BOARD TO BE ASSEMBLED TO 192007 TERMINALS.
 - ADD STRAP ACROSS TB-AA2 AND TB-J7 TO RUN MOTORS CONTINUOUSLY.
 - * INDICATES 18 GA. WIRE.
 - MCR CONSISTS OF (1) MOTOR CONTROL RELAY 182669, AND (2) 114654 TERMINAL STRIPS.
 - ADD STRAP ACROSS TB-BB6 AND TB-DD5 TO DISABLE THE BLINDING CIRCUIT.
 - ADD STRAP ACROSS TB-CC4 AND TB-DD4 TO BYPASS TAPE-OUT LEADS WHEN CIRCUIT IS USED AS PART OF A SIGNAL-TO-TAPE CODE CONVERTER.
 - STRAP TB-K5 TO TB-K6 WHEN AUTOMATIC LETTERS FEED-OUT IS DESIRED FOR TAPE-TO-TAPE CONVERTERS. REMOVE CONNECTION TO CONTACT 1UB AND TIE BACK.
 - Δ INDICATES 24 GA WIRE
 - ALL OTHER WIRE 24 GA. GREEN RM 31784

COLOR CODE:

W-BK	WHITE BLACK
W-O	WHITE ORANGE
BK-Y	BLACK YELLOW
W-BL	WHITE BLUE
W-Y	WHITE YELLOW
W-P	WHITE PURPLE
W-G	WHITE GREEN
W-BR	WHITE BROWN
W-R	WHITE RED
W-S	WHITE SLATE
G	GREEN
R-BR	RED BROWN
O-G	ORANGE GREEN
O-S	ORANGE SLATE
BK	BLACK
O-BR	ORANGE BROWN
BK-S	BLACK SLATE
BK-Y	BLACK YELLOW
R-BL	RED BLUE
R-G	RED GREEN
R-Y	RED YELLOW
BR-BL	BROWN BLUE
BR-G	BROWN GREEN
BR-Y	BROWN YELLOW
BK-BL	BLACK BLUE
BK-G	BLACK GREEN
BK-R	BLACK RED
R-O	RED ORANGE
R-S	RED SLATE



RTTY ELECTRONICS
 TELETYPE=Sales-Service-Parts
 PO Box 20101 El Sobrante, Ca.
 94820. (510)222-3102
 mr_rtty@pacbell.net

WIRING LIST
 194605 SERVICE
 UNIT ASSEMBLY

APPROVALS

D AND R	E OF M
---------	--------

E-NUMBER
 PROD. NO. 6024WD
 DATE 1-16-63
 P.D. FILE NO. 3-95AAA
 DRAWN C.A. CHKD. J.G.M.
 ENGD. R.H.S. APPD. S.G.G.

TELETYPE
 CORPORATION
6024WD