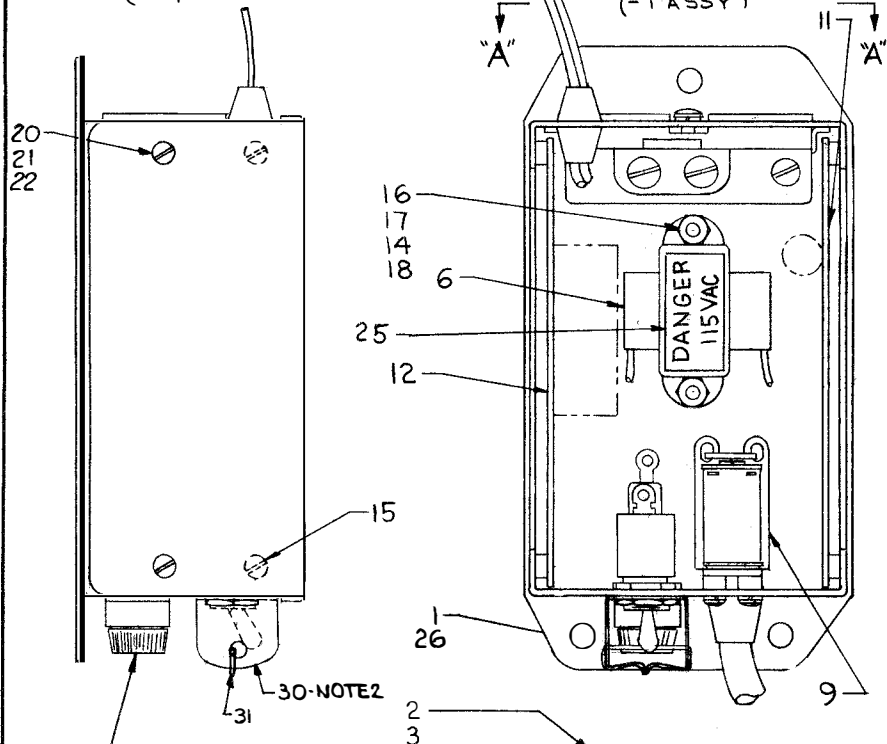


REMOVE TAB BETWEEN SCREWS ON ITEM 10 (THIS SIDE ONLY)

REMOVE EARS TO BOTTOM OF SLOT (BOTH ENDS)

VIEW A-A (-2 & 3 ASSY)

VIEW A-A (-1 ASSY)



29 (NOTE 1)

- NOTES:
1. DISCARD LOCKWASHER, IF NOT REQD.
  2. PLACE BAT OF SWITCH IN NORMAL POSITION & WIRE SWITCH IN THIS POSITION BY MEANS OF ITEM 31. WIRE TO BE TWISTED & SOLDERED.
  3. ITEMS 33, 34 & 35 TO BE PACKED IN COIN ENVELOPE FOR SHIPMENT WITH UNIT.

REVISIONS					
NO/SYM	DESCRIPTION	DATE	BY	CHK	APPD
A	REV PER IR-202-IAD-301-A	9/23/64	W.G.		
B	REV PER IR-202-IAD-301-B	10/7/64	W.G.		
C	REV PER IR-202-IAD-301-C	10/14/64	W.G.		
D	REV PER IR-202-OAD-301-D	10/26/64	W.G.		
E	REV PER IR-202-OAD-301-E	12-21-64	W.G.		
F	REV PER IR-202-OAD-301-F	1-6-65	W.G.		
G	DWG NO. WAS 202-OAD-301	12-27-65	G.S.	W.G.	W.C.

QTY REQD	QTY REQD	QTY REQD	MANUFACTURER OR SUPPLIER	PART OR IDENT NUMBER	ITEM	NOMENCLATURE OR DESCRIPTION	NOTES & REF DESIGNATIONS
				6G-632-X375-B-SSP	35	SCREW, BND HD	NOTE 3
				6G-1224-X500-B-SSP	34	SCREW, BND HD	NOTE 3
				6G-1224-X500-B-SCP	33	SCREW, PAN HD (SHT METAL)	NOTE 3
				C500050-4	32	COVER	
				23B-18	31	WIRE, ELECTRICAL	
				B500047	30	GUARD, SWITCH	
				18G-0001	29	SWITCH, TOGGLE	SI
				D200007	28	SCHEMATIC	
				D500055-1	27	WIRING ASSY	
				C500049-2	26	CHASSIS, SUBASSY	
				B500036	25	PLATE, IDENTIFICATION	
				D200008	24	SCHEMATIC	
				D500056	23	WIRING ASSY	
				GP-4L-SSP	22	WASHER, FLAT	
				GR-4M-SSP	21	WASHER, LOCK SPLIT	
				6G-440-X312-B-SSP	20	SCREW, BND HD	
				6G-440-X250-B-SSP	19	SCREW, BND HD	
				6C-632-SSP	18	NUT, HEX (5/16 FLATS)	
				GP-6S-SSP	17	WASHER, FLAT	
				6G-632-X625-F82-SSP	16	SCREW, FLAT HD (82°)	
				6G-440-X250-F82-SSP	15	SCREW, FLAT HD (82°)	
				GR-6M-SSP	14	WASHER, LOCK SPLIT	
				6G-632-X312-BP-SSP	13	SCREW, BND HD (PHILLIPS)	
				C500054-1	12	PC BOARD #2 ASSY	
				C500053-1	11	PC BOARD #1 ASSY	
				(MODIF) 4B-0001	10	CONNECTOR, RECEPTACLE	J1
				16A-0001	9	RELAY (DC CONTACTOR)	K1
				8A-X500-001	8	FUSE	F1
				8C-0001	7	HOLDER, FUSE	XF1
				B500031	6	TRANSFORMER	T1
				B500033	5	CABLE, DC LOOP	
				B500039	4	CORD SET POWER	
				C500050-3	3	COVER	
				C500050-1	2	COVER	
				C500049-1	1	CHASSIS, SUB ASSY	

LIST OF MATERIAL

UNLESS OTHERWISE SPECIFIED DIMENSIONS ARE IN INCHES	GLEADALL, W	2 JUN 64
TOLERANCES:	DRAWN	DATE
2 PLACE DECIMALS ±	DRAWN J	3 AUG 64
3 PLACE DECIMALS ±	CHECKED	DATE
ANGLES ±	J. J. J.	8/1/64
DO NOT SCALE DRAWING	PROJ ENGRG	DATE
	PROJ ENGRG	8/13/64
	PROD ENGRG	DATE
MATERIAL:	CAUTION: UNLESS THIS DRAWING BEARS THE NAME OF THE "PROJ ENGRG," "PROD ENGRG," IT IS PRELIMINARY AND UNDER NO CIRCUMSTANCES IS IT TO BE USED FOR MANUFACTURING PURPOSES.	
FINISH:	THIS DRAWING IS FURNISHED FOR ENGINEERING INFORMATION AND REFERENCE ONLY. THE FURNISHING OF THIS DRAWING DOES NOT CONVEY ANY REPRESENTATION OR MANUFACTURING RIGHTS.	

**PULSECOMM** PULSE COMMUNICATIONS, INC. ALEXANDRIA, VA.

**IDLE LINE MOTOR CONTROL ASSY (MODEL 202-SERIES)**

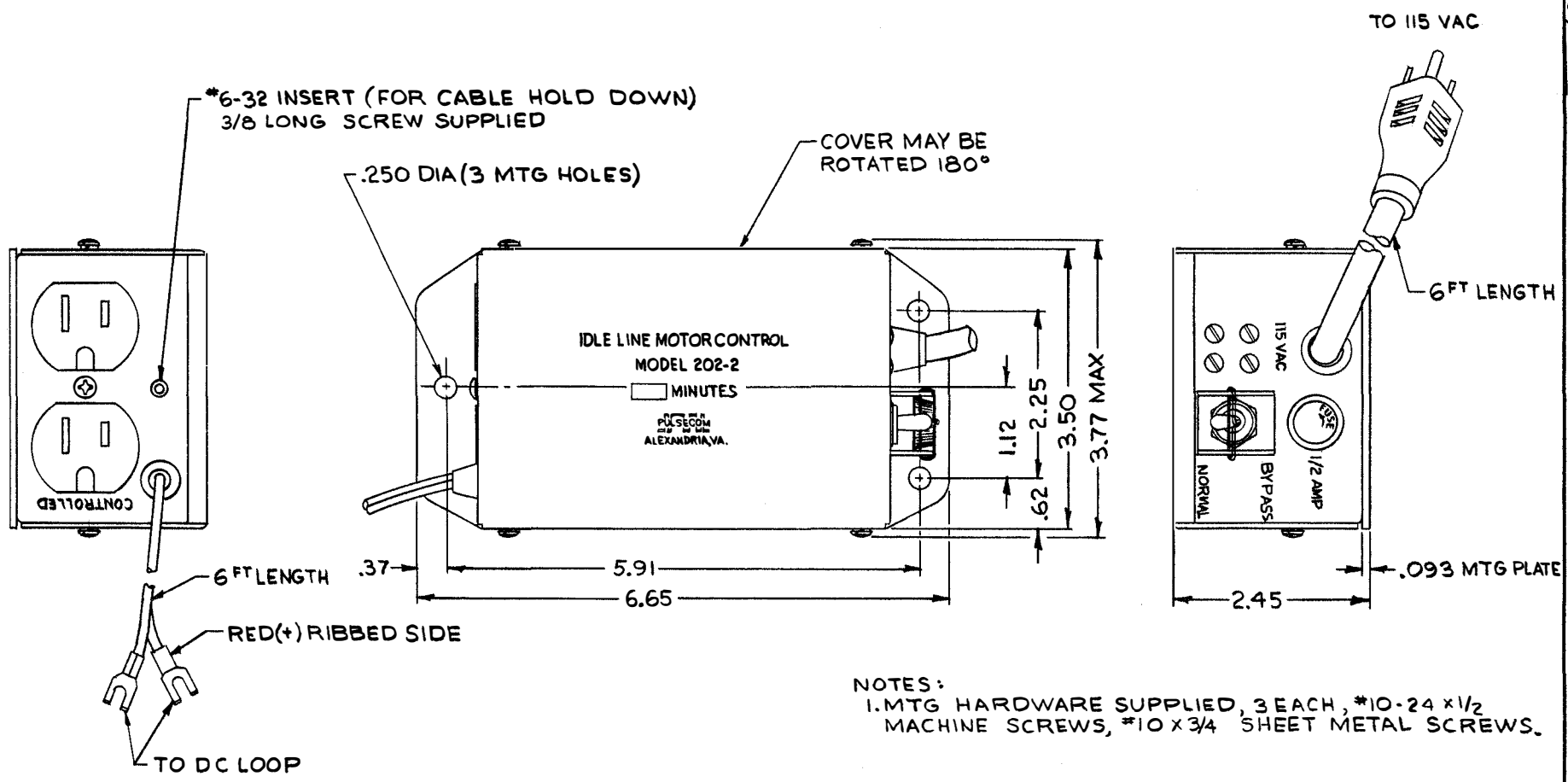
CODE IDENT NO. \_\_\_\_\_ SIZE DRAWING NUMBER  
**CFC100008**

SCALE: 1/1 SHEET

IN#8 (7/65)

NO/SYM		DESCRIPTION	REVISIONS			
A	D	NO. WAS 202-2FD	DATE	BY	CHK	APPD
			2-27-65	G.S.	W.G.	W.G.

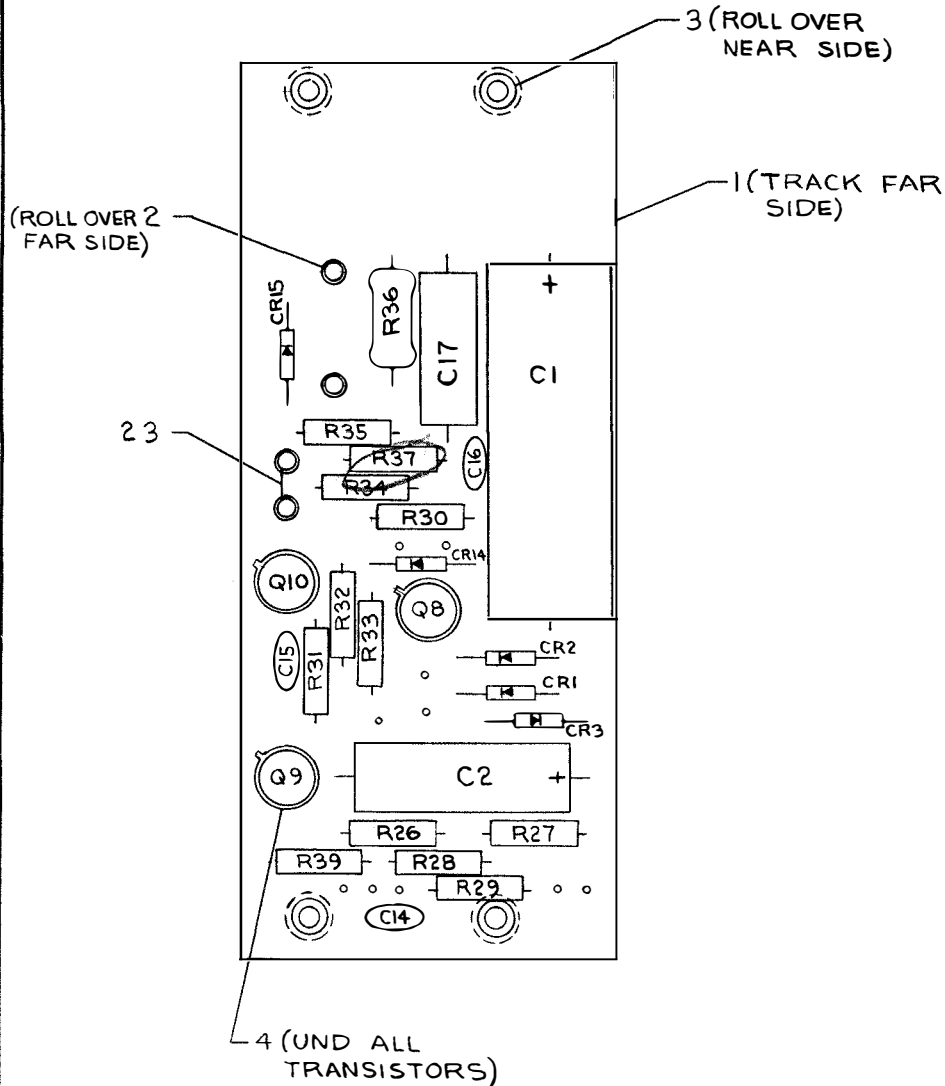
IN#8(7/65)



NOTES:  
 1. MTG HARDWARE SUPPLIED, 3 EACH, #10-24 x 1/2 MACHINE SCREWS, #10 x 3/4 SHEET METAL SCREWS.

QTY REQD	MANUFACTURER OR SUPPLIER	PART OR IDENT NUMBER	ITEM	NOMENCLATURE OR DESCRIPTION	NOTES & REF DESIGNATIONS
-1	LIST OF MATERIAL				
UNLESS OTHERWISE SPECIFIED DIMENSIONS ARE IN INCHES		GLEADALL, W.L. 14 DEC 64		PULSE COMMUNICATIONS, INC. ALEXANDRIA, VA.	
TOLERANCES:		DRAWN DATE 12/14/64			
2 PLACE DECIMALS ±		CHECKED DATE 1/6/65		OUTLINE (IDLE LINE MOTOR CONTROL) MODEL 202-2	
3 PLACE DECIMALS ±		PROJ ENGRG DATE 1/6/65			
ANGLES ±		PROJ ENGRG DATE 1/6/65			
DO NOT SCALE DRAWING		PROD ENGRG DATE		CODE IDENT NO. SIZE DRAWING NUMBER C C 400002	
MATERIAL:		CAUTION: UNLESS THIS DRAWING BEARS THE NAME OF THE "PROJ ENGRG," "PROD ENGRG" IT IS PRELIMINARY AND UNDER NO CIRCUMSTANCES IS IT TO BE USED FOR MANUFACTURING PURPOSES.			
FINISH:		THIS DRAWING IS FURNISHED FOR ENGINEERING INFORMATION AND REFERENCE ONLY. THE FURNISHING OF THIS DRAWING DOES NOT CONVEY ANY REPRESENTATION OR MANUFACTURING RIGHT.		SCALE: 1/1 SHEET	

REVISIONS					
NO/SYM	DESCRIPTION	DATE	BY	CHK	APPD
A	ADDED NOTE 3 & ADD SPR. PT. NO.	2/15/64	W.G.		
B	REV PER IR-202-1AD-310-B	12-22-64	W.G.		
C	DWG NO. WAS 202-1AD-310	2/27-65	G.S.	W.G.	W.G.
D	REV PER ACO 01006	5/5/65	JB	W.G.	W.G.



- NOTES:  
 1. EITHER 5A-1N458A OR B500035 MAY BE USED.  
 2. EITHER 5A-1N461A OR B500034 MAY BE USED.  
 3. EITHER 5A-1N 2069 A OR B500040 MAY BE USED.

1	17E-3301-X5-5X	24	RESISTOR, CARBON	R26
.75"	23B-22	23	WIRE ELECTRICAL	BARE
1	3B-5XOM-75X25X	22	CAPACITOR ( 5MFD, 25V )	C17
3	3A-103P-20X-50X	21	CAPACITOR (.01 MFD, 50V )	C14, C15, C16
1	3B-50XM-100-25X	20	CAPACITOR ( 50MFD, 25V )	C2
1	3B-500M-150-25X	19	CAPACITOR ( 500MFD, 25V )	C1
2	SEE NOTE 2	18	DIODE	CR14, CR15
1	SEE NOTE 1	17	DIODE	CR3
1	SEE NOTE 3	16	DIODE	CR1, CR2
2	21A-2N404	15	TRANSISTOR	Q9, Q10
1	21A-2N404A	14	TRANSISTOR	Q8
1	17F-100X-3X-5X	13	RESISTOR ( 100Ω, 3W, 5% )	R36
2	17E-270X-X5-5X	12	RESISTOR ( 270Ω, 1/2W, 5% )	R35, R37
1	17E-1802-X5-5X	11	( 18K, 1/2W, 5% )	R34
1	17E-1103-X5-5X	10	( 110K, 1/2W, 5% )	R32
1	17E-1502-X5-5X	9	( 15K, 1/2W, 5% )	R31
2	17E-3301-X5-10	8	( 3.3K, 1/2W, 10% )	R29, R30
2	17E-3302-X5-5X	7	( 33K, 1/2W, 5% )	R28, R33
1	17E-1203-X5-5X	6	( 120K, 1/2W, 5% )	R39
1	17E-2702-X5-5X	5	RESISTOR ( 27K, 1/2W, 5% )	R27
3	9H-0001	4	TRANSISTOR PAD	
4	9J-0001	3	SPACER, ROLLOVER	
4	4H-0001	2	TERMINAL, ROLLOVER	
1	C500051	1	BOARD, PRINTED CIRCUIT	

QTY REQD	MANUFACTURER OR SUPPLIER	PART OR IDENT NUMBER	ITEM	NOMENCLATURE OR DESCRIPTION	NOTES & REF DESIGNATIONS
-1	LIST OF MATERIAL				

UNLESS OTHERWISE SPECIFIED DIMENSIONS ARE IN INCHES	GLEADALL, W	14 JUL '64	PULSE COMM	PULSE COMMUNICATIONS, INC. ALEXANDRIA, VA.
TOLERANCES:	DRAWN DALTON J	DATE 3 AUG 64		
2 PLACE DECIMALS ± —	CHECKED	DATE	BOARD #2 P.C. ASSY	
3 PLACE DECIMALS ± —	PROJ ENGR	DATE		
ANGLES ±	PROD ENGR	DATE		
DO NOT SCALE DRAWING				
MATERIAL:	CAUTION: UNLESS THIS DRAWING BEARS THE SIGNATURE AND UNDER NO CIRCUMSTANCES BE USED FOR MANUFACTURING PURPOSES.			CODE IDENT NO.
FINISH:	THIS DRAWING IS FURNISHED FOR ENGINEERING INFORMATION AND REFERENCE ONLY. THE FURNISHING OF THIS DRAWING DOES NOT CONVEY ANY REPRODUCTION OR MANUFACTURING RIGHTS.			SIZE DRAW NUMBER C 000054
			SCALE: 2/1	SHEET

IN#8 (7/65)