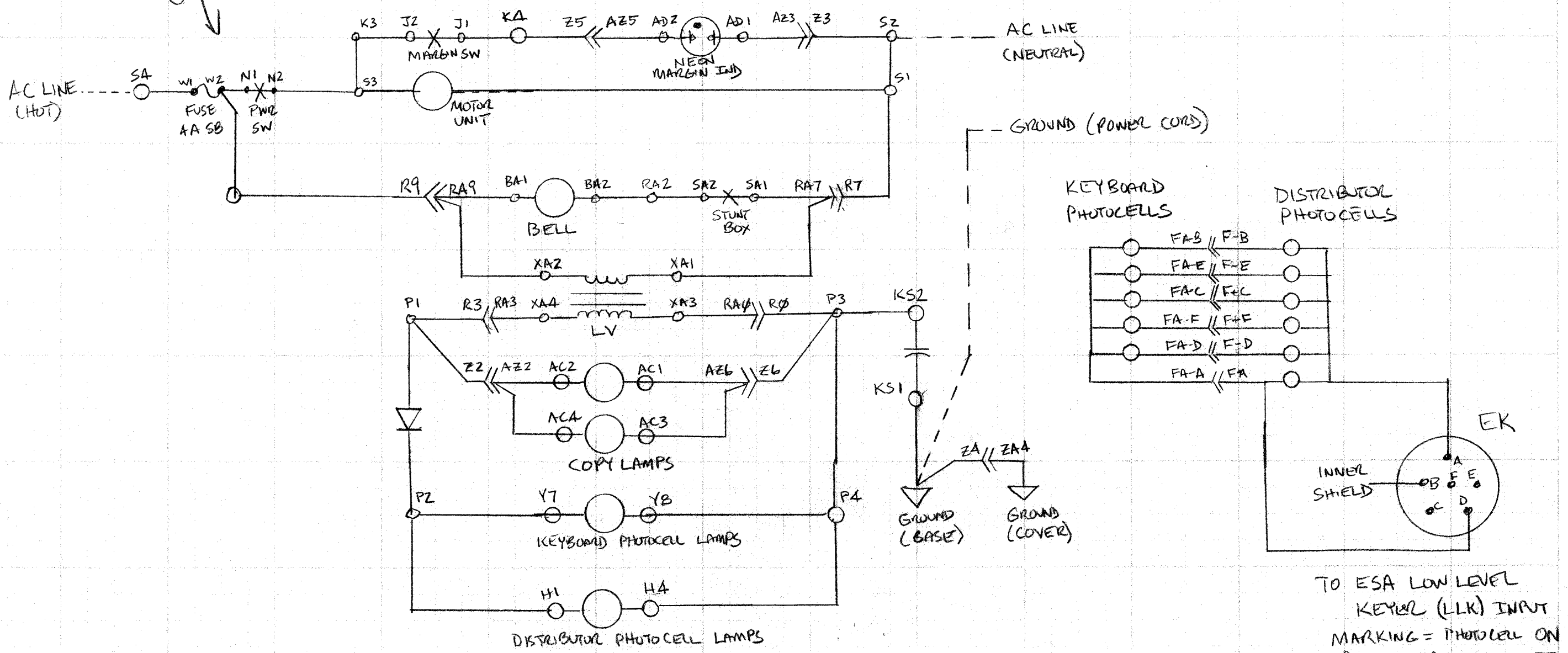
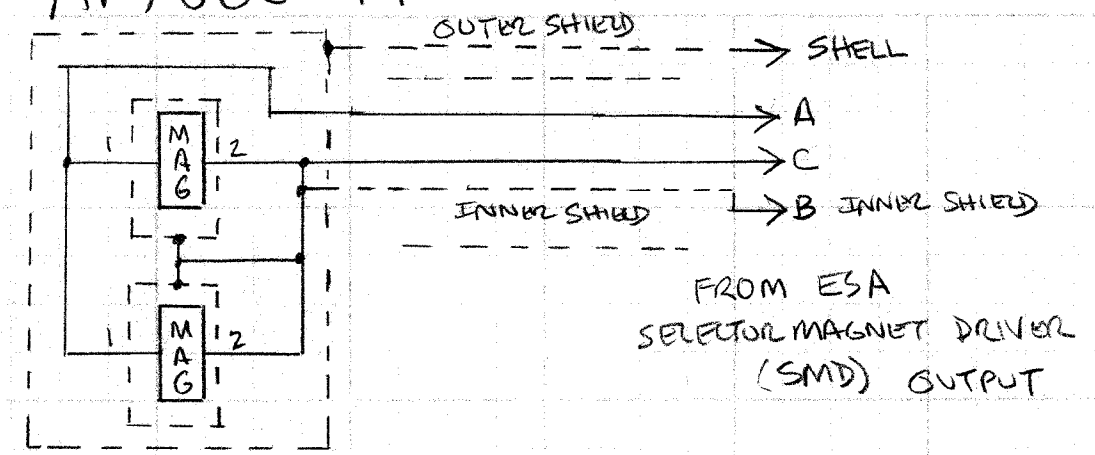


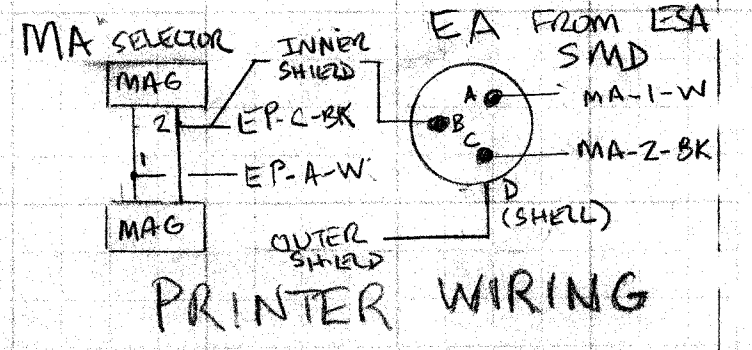
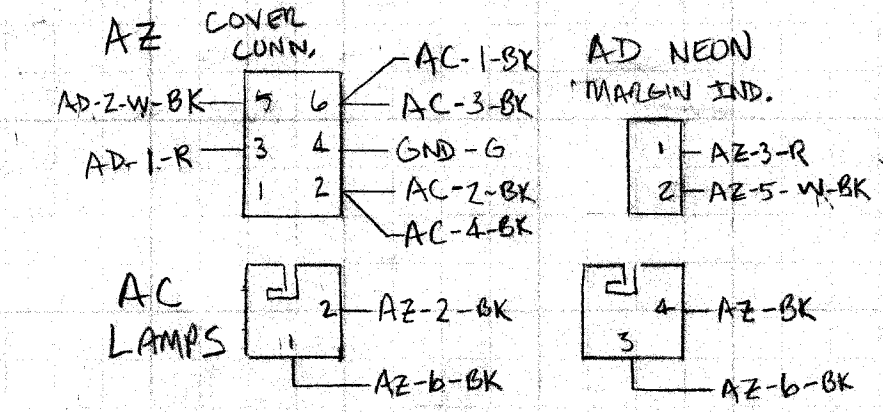
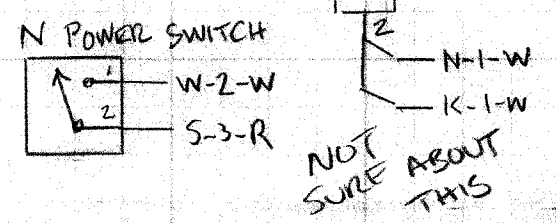
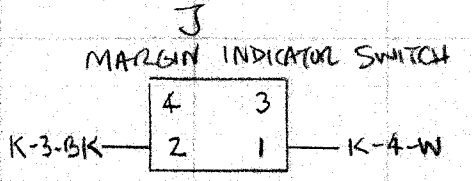
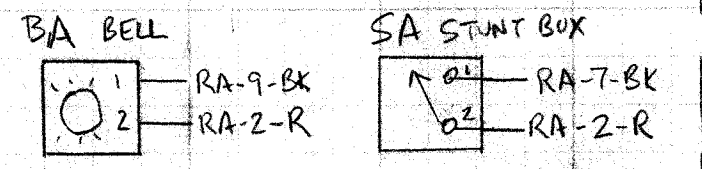
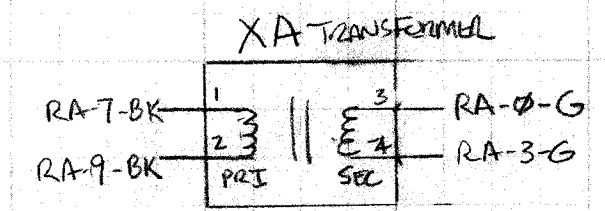
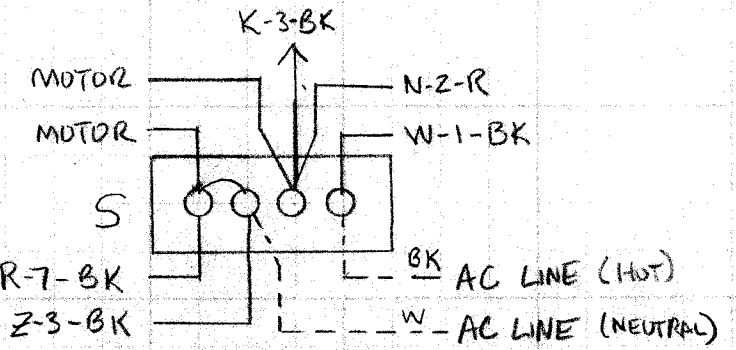
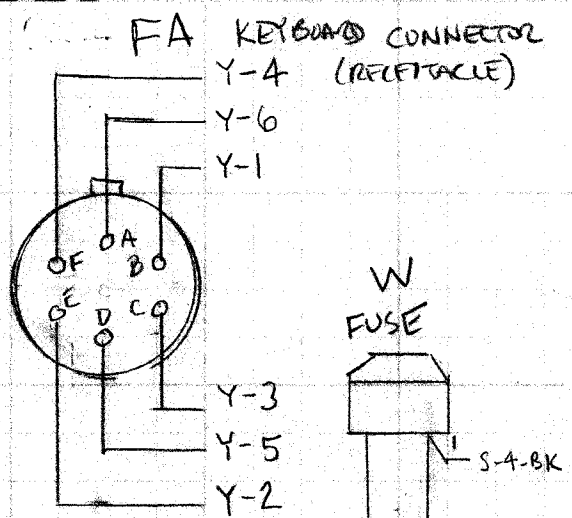
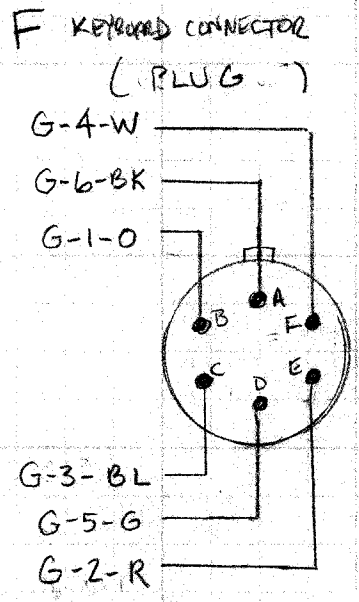
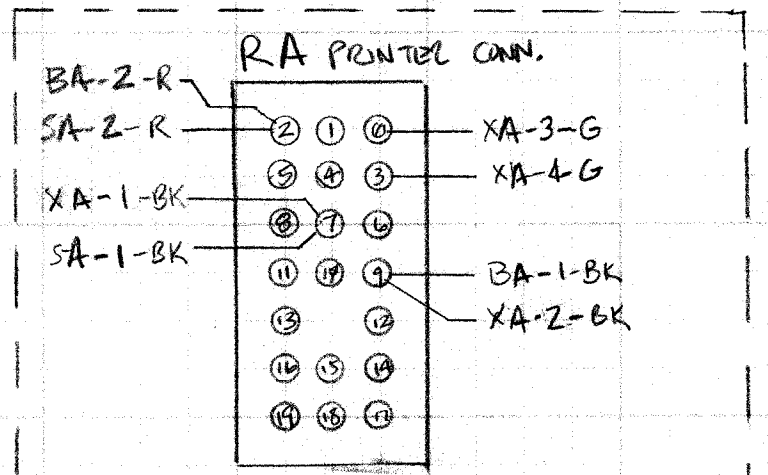
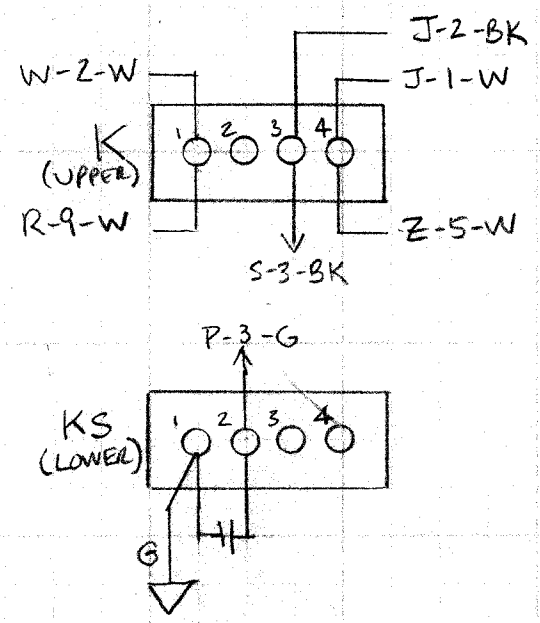
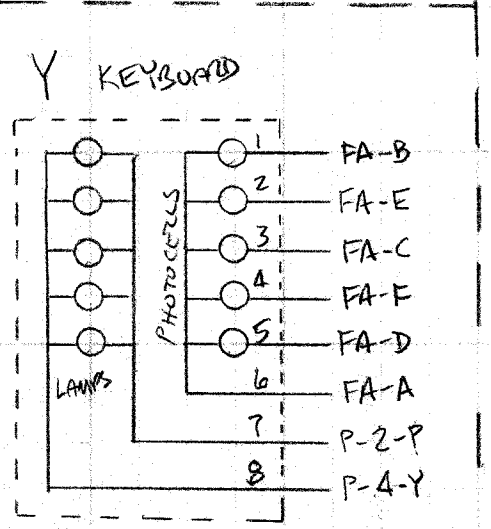
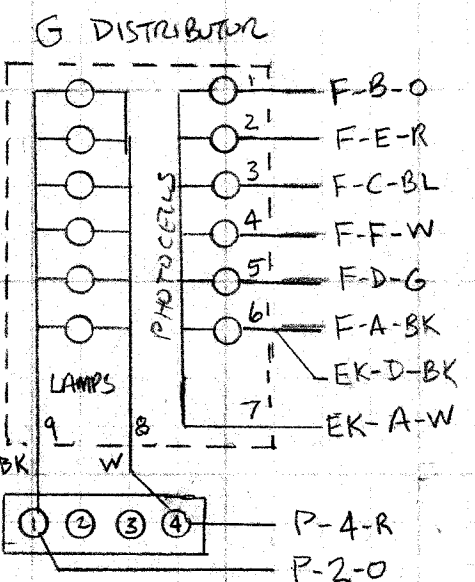
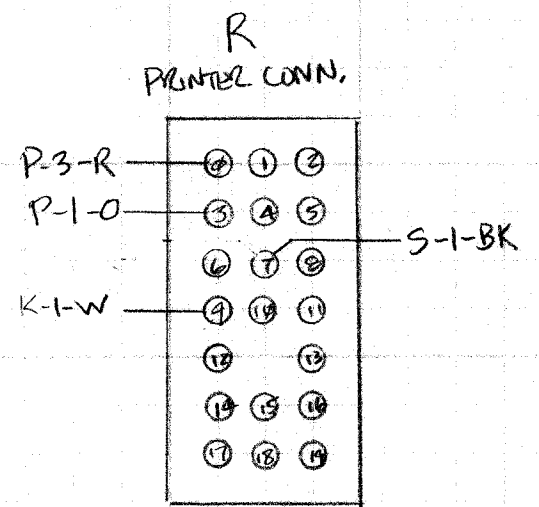
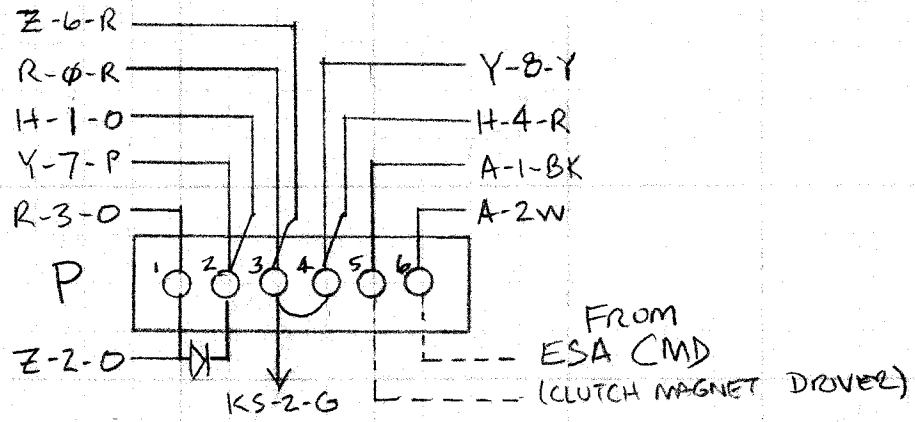
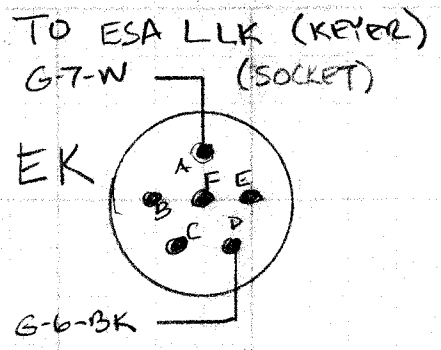
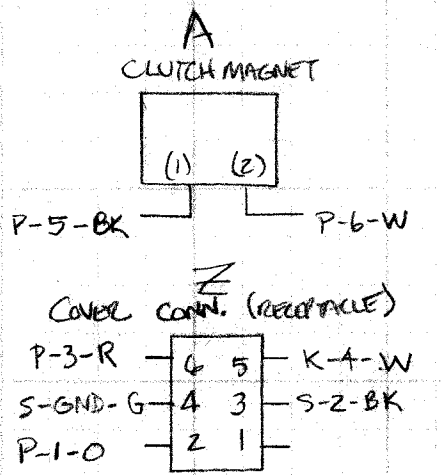
NOT SURE ABOUT THIS

AN/UGC-77



TO ESA LOW LEVEL
 KEYBOARD (LLK) INPUT
 MARKING = PHOTOCELL ON
 SPACING = PHOTOCELL OFF

AN/UGC-77



KEYBOARD WIRING

BASE WIRING

COVER WIRING

PRINTER WIRING

REV 02 11/7/17 CORRECTED TB CONNECTIONS

