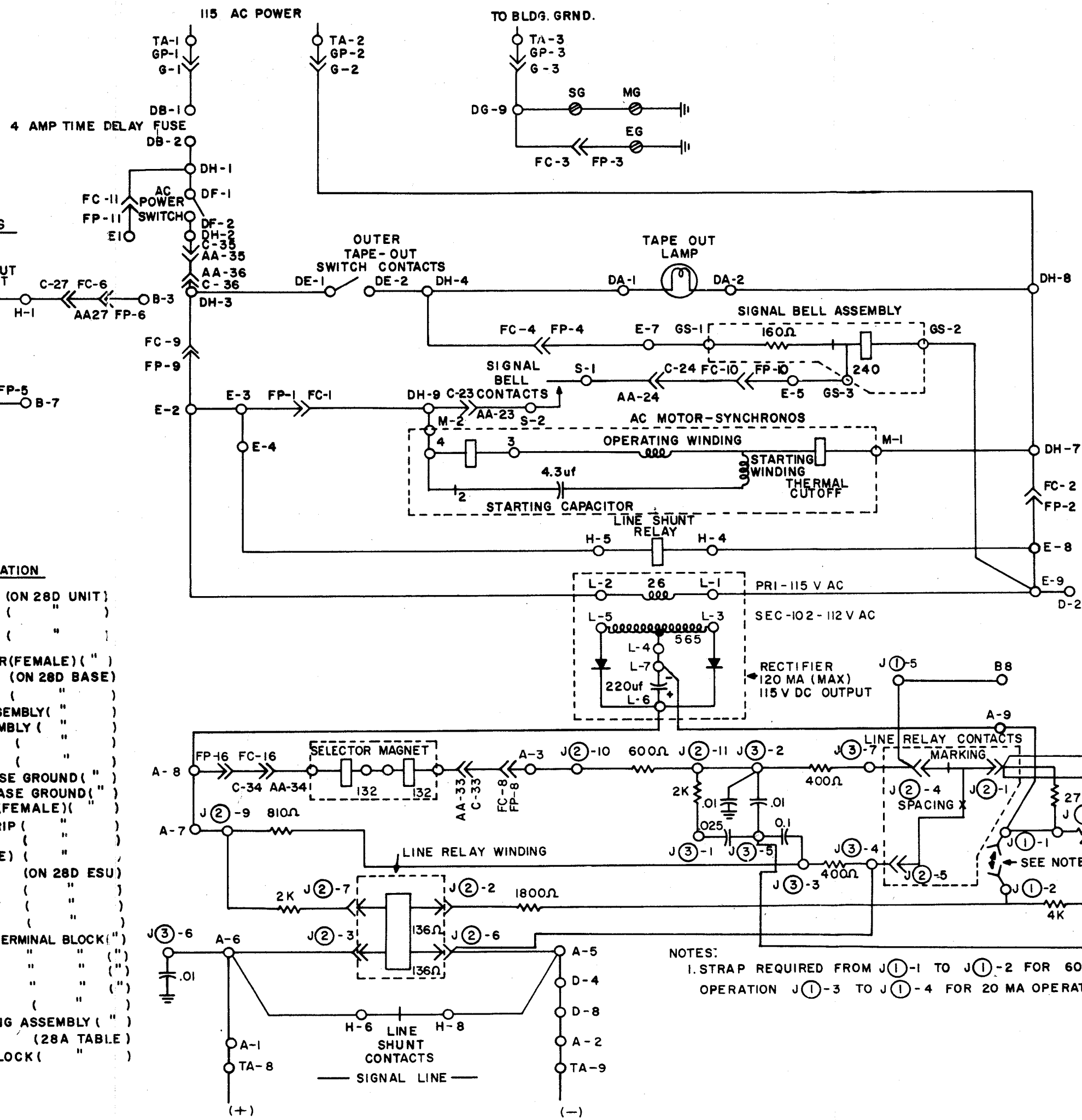
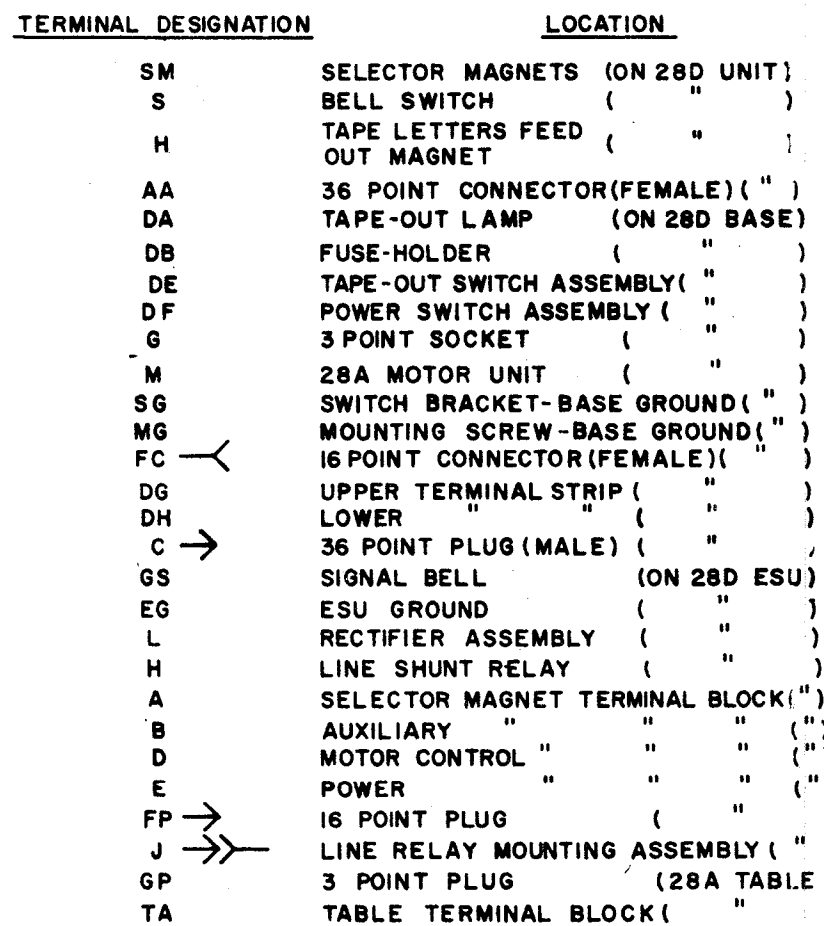
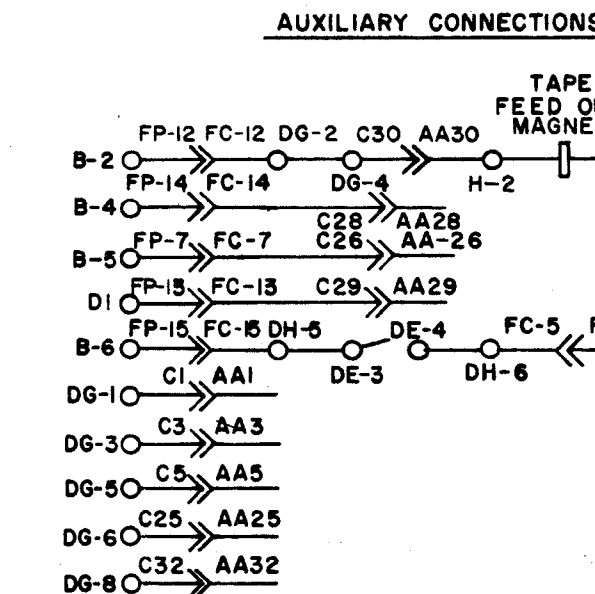


WIRING PLAN
 28 RECEIVE ONLY TYPING REPERFORATOR
 SET ON A 28 TABLE WITH A 28D
 ELECTRICAL SERVICE UNIT - 28D TYPING
 REPERFORATOR UNIT WITH A 28D TYPING
 REPERFORATOR BASE



REQUIRED
 ON
 SHOP ORDER
 NO.

NOTES:
 1. STRAP REQUIRED FROM J(1)-1 TO J(1)-2 FOR 60 MA
 OPERATION; J(1)-3 TO J(1)-4 FOR 20 MA OPERATION.