

SHEET INDEX

| CONTENTS | SHEET NO. | ISSUE NO. | | | | | | | | | | | | | | | | | | |
|------------------------------------------------------------------------------------------------------------------------------------------------------------|-----------|-----------|---|---|---|---|---|---|---|---|----|--|--|--|--|--|--|--|--|--|
| | | 1 | 2 | 3 | 4 | 5 | 6 | 7 | 8 | 9 | 10 | | | | | | | | | |
| ASSOCIATED M & A PLANS NOTES (INFO., CKT. & EQUIP.) OPTION INDEX RECORD OF CHANGES SHEET INDEX SUPPORTING INFORMATION | A1 | 1 | | | | | | | | | | | | | | | | | | |
| COMPLETE STATION CIRCUIT | B1 | 1 | | | | | | | | | | | | | | | | | | |
| STATION WIRING DRAWINGS 28AC ELEC. SERV. UNIT 28G CABINET | C1 | 1 | | | | | | | | | | | | | | | | | | |
| STATION WIRING DRAWINGS 28B-1 & 28E-1 PERF. TRANS. BASE 28AF, 28AK & 28AL T.U. 28H-5 TRANS. DIST. UNIT 28H TRANS. DIST. BASE J70158E STA. CONTROL UNIT CAD | C2 | 1 | | | | | | | | | | | | | | | | | | |

OPTION INDEX

| FEATURE | OPTION |
|----------------------------------------------|--------|
| NO V ANSWERBACK WITH BROADCAST (ADDITION 91) | M |
| V ANSWERBACK WITH BROADCAST (ADDITION 92) | N |
| .020 AMPERES LINE CURRENT | S |
| .060 AMPERES LINE CURRENT | T |
| NO PRIORITY | X |
| PERMANENT PRIORITY (EXC. 63A) | Y |
| DEFERRED PRIORITY (EXC. 63C) | Z |

INFORMATION NOTES:

- A. UNLESS OTHERWISE SPECIFIED ALL COLORED LEADS SHALL BE 22GA, BROWN, TYPE GS STATION WIRE PER A.T.&T. CO. SPEC. 7089.
- B. WIRE MAN SHALL LINE OUT ALL FIGURES NOT USED ON COPY OF WIRING PLAN WHICH ACCOMPANIES STATION.
- C. ASSOCIATED COMPANY ENGINEERING SHALL BE RESPONSIBLE FOR STATION ARRANGEMENTS OTHER THAN THOSE CONTAINED IN THE TP-581.000 TELETYPEWRITER STATION CODING PLAN.
- D. UNLESS OTHERWISE SPECIFIED: RESISTANCE VALUES ARE IN OHMS. CAPACITANCE VALUES ARE IN MICROFARADS. VALUES PRECEDED BY THE SYMBOL + (PLUS) OR - (MINUS) ARE IN VOLTS.

CIRCUIT NOTES:

- 101. SELECTOR MAGNET DRIVER IS PROVIDED WITH OPTION "T" FOR .060 AMPERE OPERATION AS STANDARD (STRAP TB1-4 TO J-E15). PROVIDE OPTION "S" FOR .020 AMPERE OPERATION WHEN REQUIRED (STRAP TB1-3 TO J-E15).
- 102. PROVIDE OPTION "X" (BL-W WIRE FROM C CORD TO C-53, CLOSE SCREW SWITCH A1 ON A T.S.) AS STANDARD. WHEN EXCEPTION 63A FOR PERMANENT PRIORITY OPERATION IS SPECIFIED, PROVIDE OPTION "Y" (BL-W WIRE FROM C CORD TO C53, STRAP C51 TO C53, OPEN SCREW SWITCH A1 ON A T.S.). WHEN EXCEPTION 63C FOR DEFERRED PRIORITY IS SPECIFIED PROVIDE OPTION "Z" (BL-W WIRE FROM C CORD TO C75, CLOSE SCREW SWITCH A1 ON A T.S., PRIORITY KEY TO C STRIP WITH COMMON TO C53, BREAK TO C75 AND MAKE TO C51).
- 103. PROVIDE OPTION "M" (CLOSE SCREW SWITCH A5 ON A T.S.) WHEN NO V ANSWERBACK IS REQUIRED ON BROADCAST PER ADDITION 91. PROVIDE OPTION "N" (STRAP C41 TO C49, OPEN SCREW SWITCH A5 ON A T.S.) WHEN V ANSWERBACK IS REQUIRED ON BROADCAST PER ADDITION 92.
- 104. STRAP C52 TO C56 WHEN LOCKOUT AFTER SINGLE MESSAGE TAPE IS REQUIRED.
- 105. WHEN AD PAPER FEEDOUT SWITCH IS REQUIRED, MOVE MOTOR LEAD FROM AG1 TO AG3 AND WIRE SWITCH BETWEEN AG1, AG3 AND F5 AS SHOWN.
- 106. TABULATION CONTACTS ARE PROVIDED WITH 28AK AND 28AL TYPING UNITS ONLY.

EQUIPMENT NOTES:

- 201. TERMINAL STRIP A SCREW SWITCHES OPERATED FOR SPECIFIC OPERATING CONDITIONS ARE LISTED BELOW. ALL SCREW SWITCHES NOT LISTED ARE NOT TO BE OPERATED.

| OPERATING COND. | SCREW SWITCH OPER. |
|----------------------------------|--------------------|
| NO PRIORITY OR DEFERRED PRIORITY | A1 |
| NO V ANSWERBACK ON BROADCAST | A5 |

| |
|----------------|
| REQ. NO. |
| SHOP ORDER NO. |

ASSOCIATED M & A PLANS

| M PLAN | A PLAN |
|--------|--------|
| M0903 | A0163 |
| | |
| | |
| | |
| | |
| | |

SUPPORTING INFORMATION

| CATEGORY | ISSUED BY | NO. |
|--------------------------------|-----------|-------------|
| STA. CONTROL CIRCUIT FOR 28ASR | BTL | SD-70931-01 |
| | | |

SHEET INDEX NOTES

1. WHEN CHANGES ARE MADE IN THIS DRAWING, ONLY THOSE SHEETS AFFECTED WILL BE REISSUED.
2. THIS SHEET INDEX WILL BE REISSUED AND BROUGHT UP TO DATE EACH TIME ANY SHEET OF THE DRAWING IS REISSUED, OR A NEW SHEET IS ADDED.
3. THE ISSUE NUMBER ASSIGNED TO A CHANGED OR NEW SHEET WILL BE THE SAME ISSUE NUMBER AS THAT OF THE SHEET INDEX.
4. SHEETS THAT ARE NOT CHANGED WILL RETAIN THEIR EXISTING ISSUE NUMBER.
5. THE LAST ISSUE NUMBER OF THE SHEET INDEX IS RECOGNIZED AS THE LATEST ISSUE NUMBER OF THE DRAWING AS A WHOLE.

RECORD OF CHANGES

ISSUE 1 6-1-64 AEG

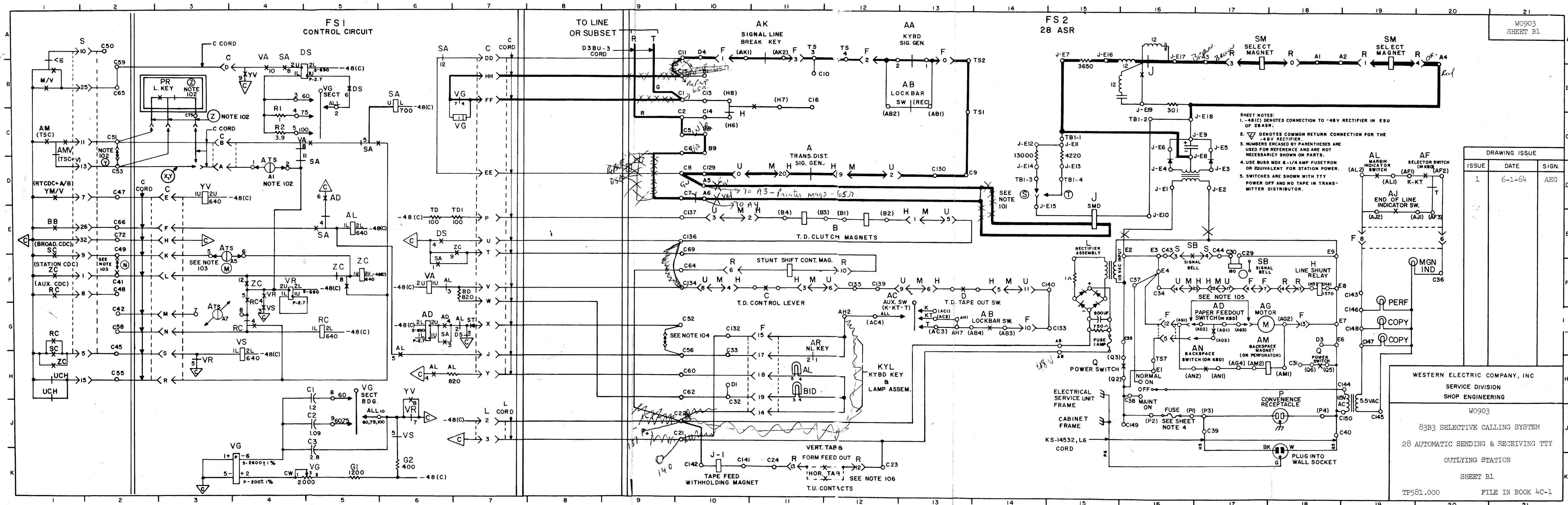
WESTERN ELECTRIC COMPANY, INC.
SERVICE DIVISION
SHOP ENGINEERING

W0903
4 SHEETS

83B3 SELECTIVE CALLING SYSTEM
28 AUTOMATIC SENDING & RECEIVING TTY
OUTLYING STATION

SHEET A1

TP581.000 FILE IN BOOK 4C-1



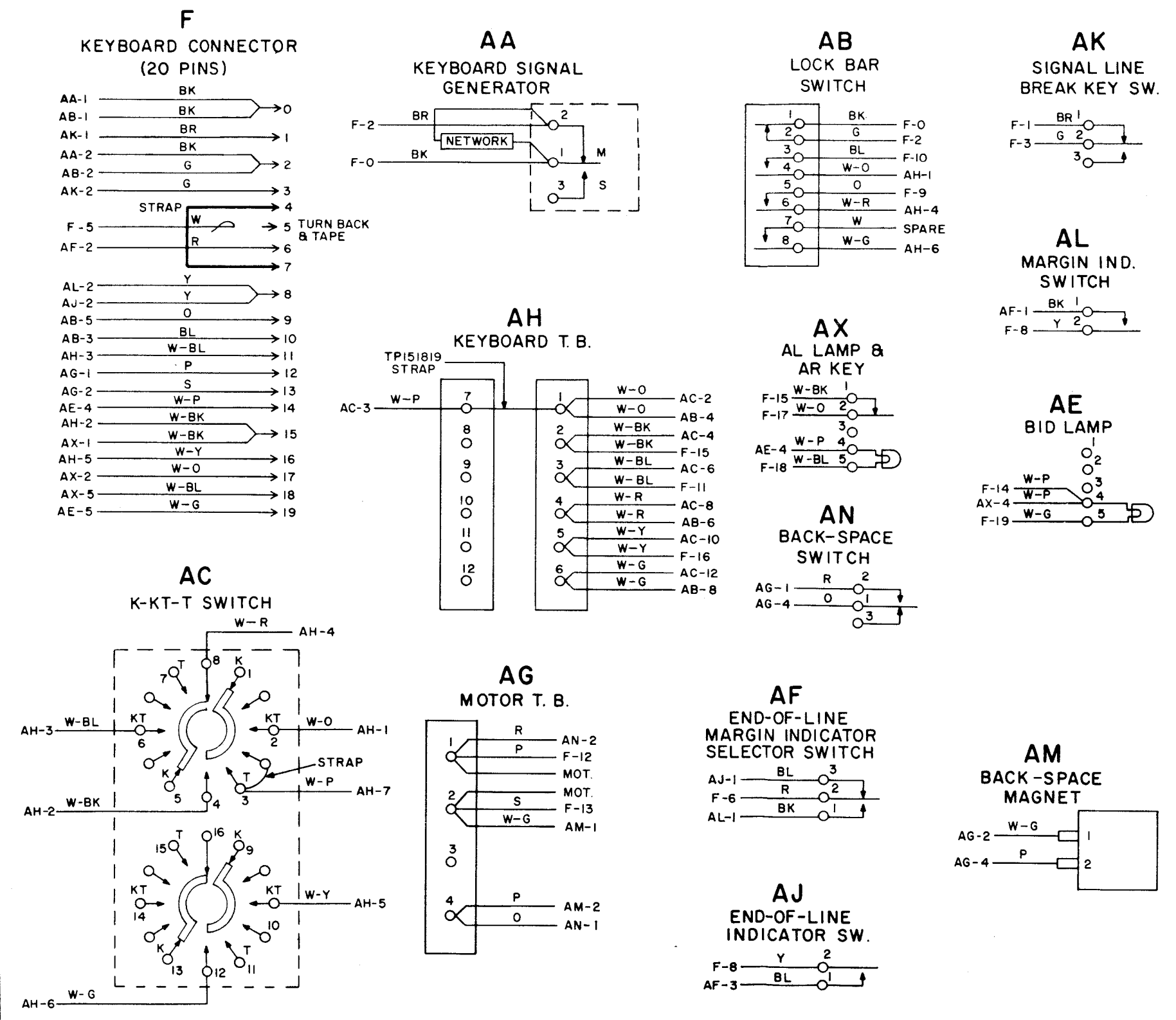
- SHEET NOTES:
1. -48(C) DENOTES CONNECTION TO -48V RECTIFIER IN ESU OF 28 ASR.
 2. ▽ DENOTES COMMON RETURN CONNECTION FOR THE -48V RECTIFIER.
 3. NUMBERS ENCASED BY PARENTHESES ARE USED FOR REFERENCE AND ARE NOT NECESSARILY SHOWN ON PARTS.
 4. USE BUSS MDX 6-1/4 AMP FUSETRON OR EQUIVALENT FOR STATION POWER.
 5. SWITCHES ARE SHOWN WITH TTY POWER OFF AND NO TAPE IN TRANSMITTER DISTRIBUTOR.

DRAWING ISSUE

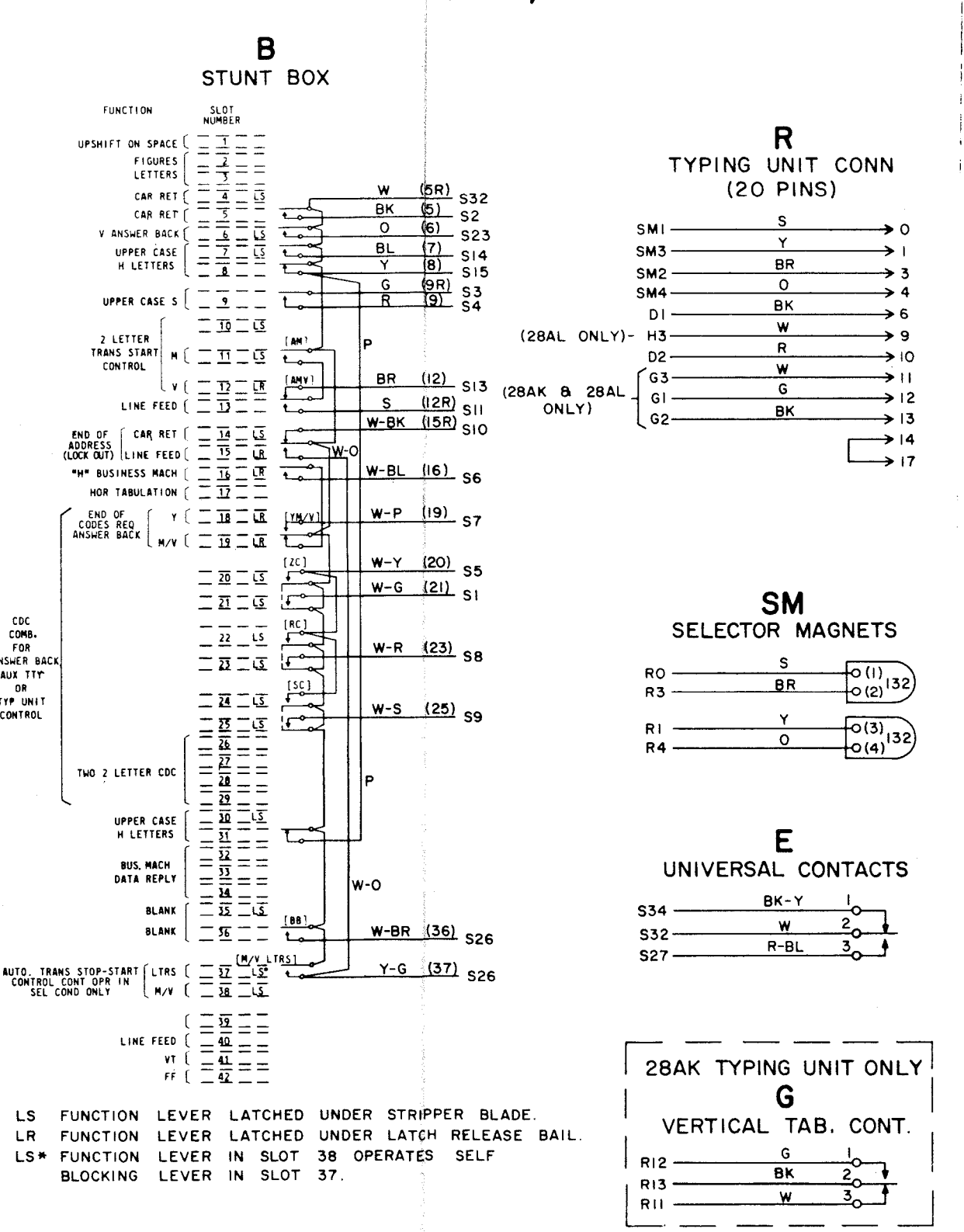
| ISSUE | DATE | SIGN. |
|-------|--------|-------|
| 1 | 6-1-64 | AEG |

WESTERN ELECTRIC COMPANY, INC.
 SERVICE DIVISION
 SHOP ENGINEERING
 W0903
 83B3 SELECTIVE CALLING SYSTEM
 28 AUTOMATIC SENDING & RECEIVING TTY
 OUTLYING STATION
 SHEET B1
 TP581.000 FILE IN BOOK 4C-1

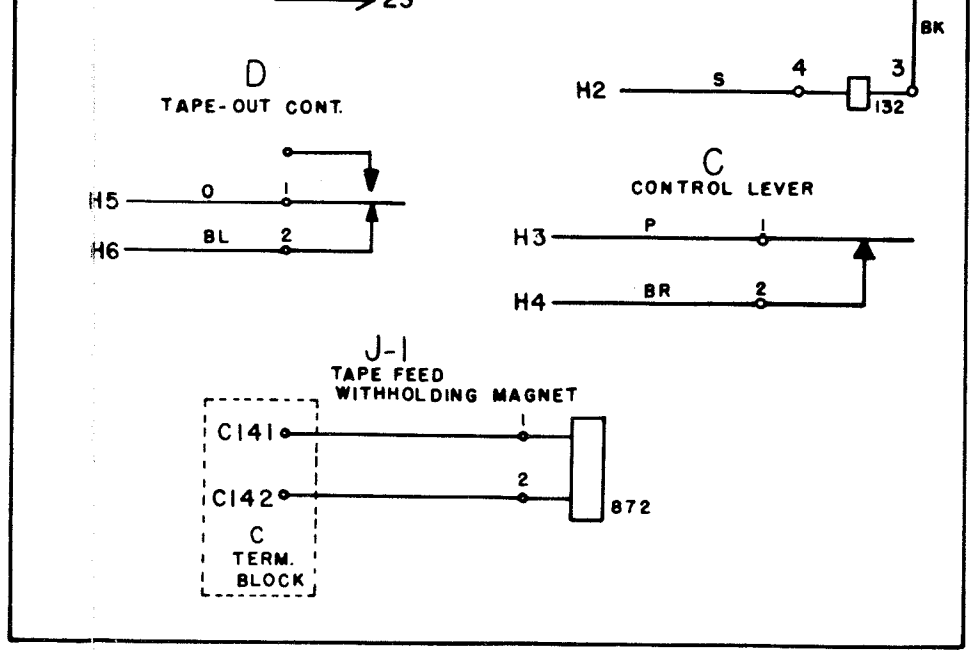
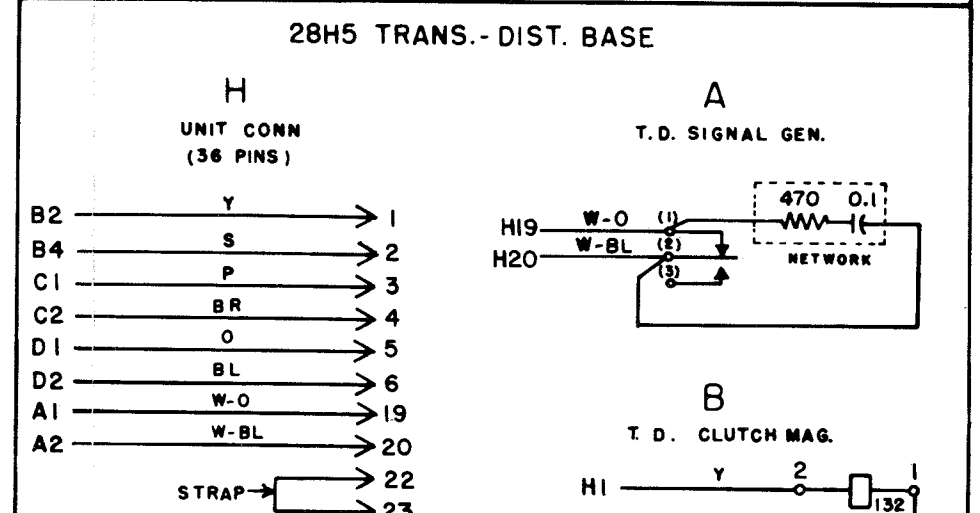
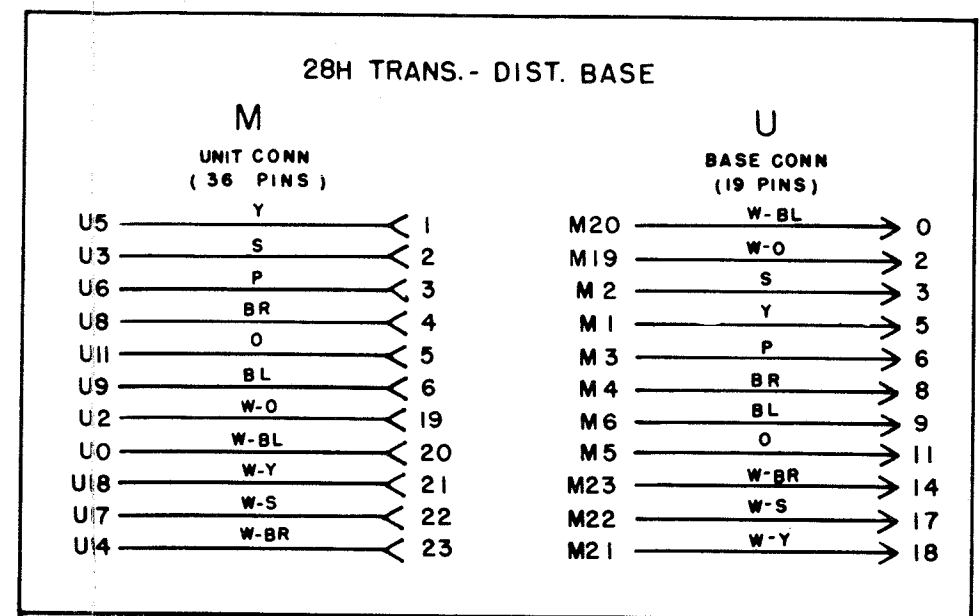
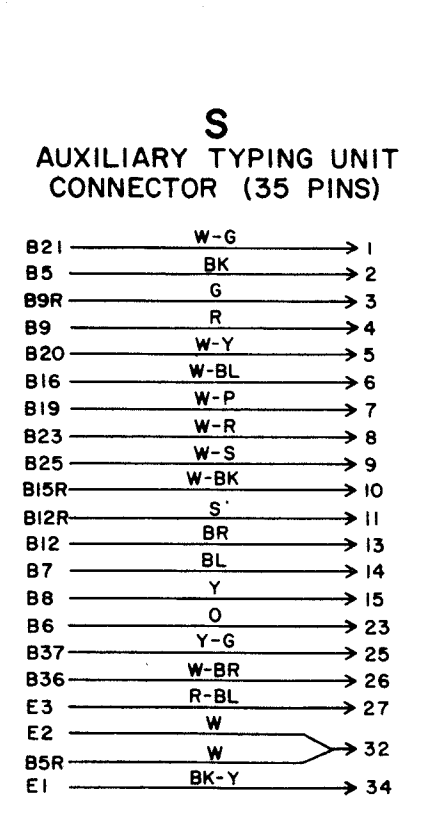
28B-I & 28E-I PERFORATOR TRANSMITTER BASES



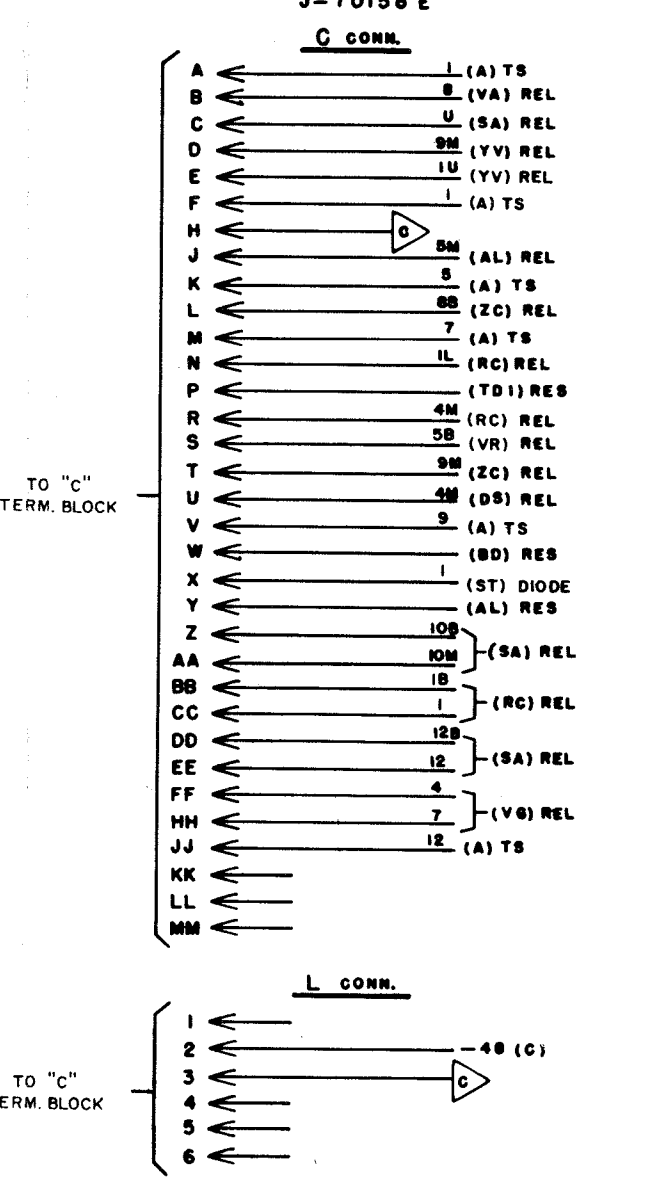
28AF, 28AK & 28AL TYPING UNITS



AUXILIARY TYPING UNIT CONNECTOR (35 PINS)



STATION CONTROL UNIT J-70158 E



DRAWING ISSUE

| ISSUE | DATE | SIGN. |
|-------|--------|-------|
| 1 | 6-1-64 | AEG |

WESTERN ELECTRIC COMPANY, INC.
SERVICE DIVISION
SHOP ENGINEERING

W0903
83B3 SELECTIVE CALLING SYSTEM
28 AUTOMATIC SENDING & RECEIVING TTY
OUTFLYING STATION
SHEET C2
TP581.000 FILE IN BOOK 4C-1