

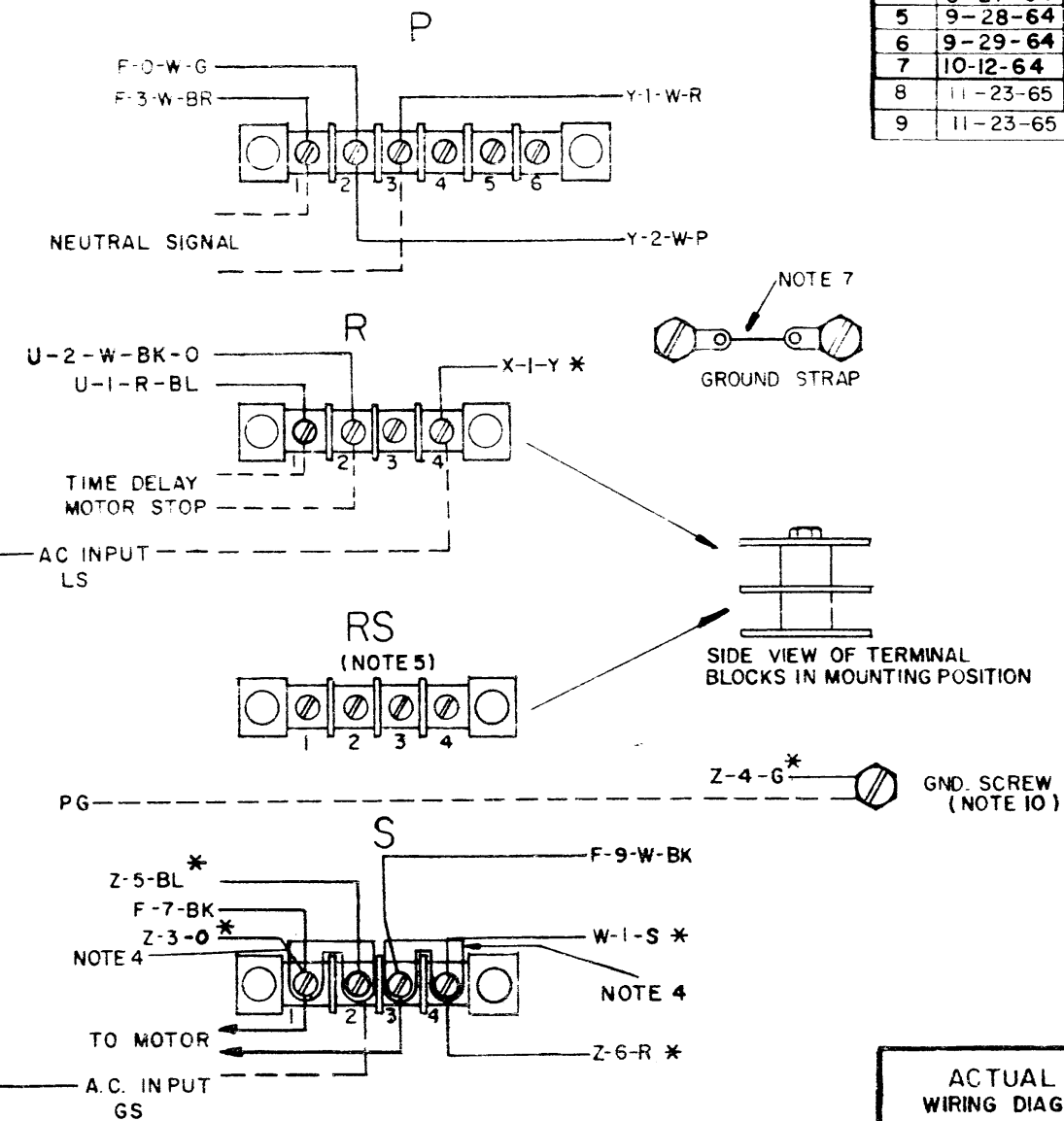
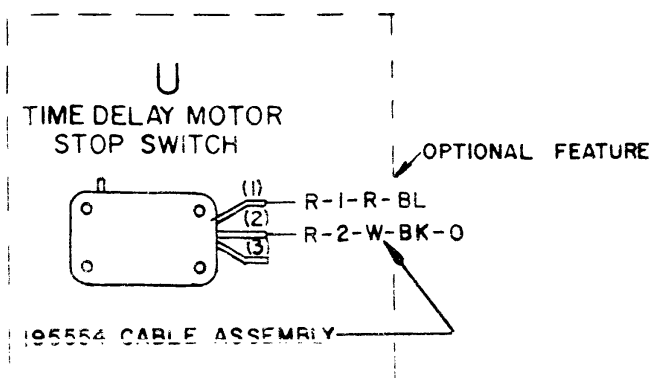
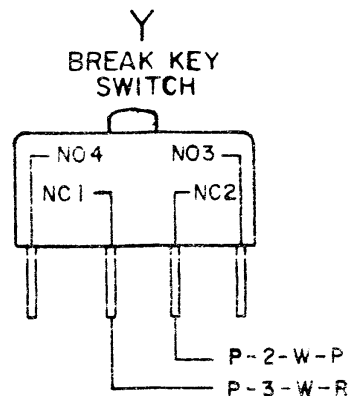
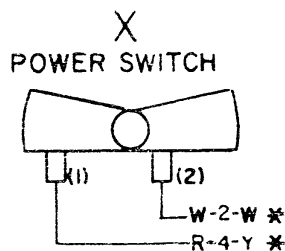
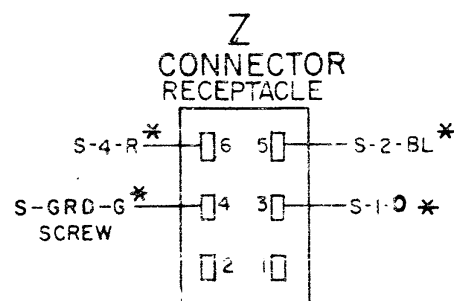
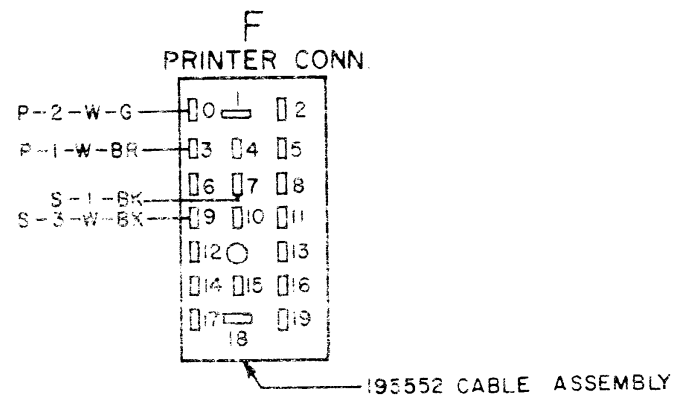
ISSUE	DATE	AUTH NO
2	4-21-64	81847
3	7-26-64	82752
4	8-27-64	83671
5	9-28-64	83954
6	9-29-64	84086
7	10-12-64	83954-1
8	11-23-65	89792
9	11-23-65	89112

- NOTES**
- WIRING LEGEND:**

 - DISTANT TERMINATING AREA
 - DISTANT TERMINATING DESIGNATION
 - WIRE COLOR CODE

G-9-W-P
 - COLOR CODE:**

W—WHITE	W-BK—WHITE-BLACK
R—RED	W-G—WHITE-GREEN
BL—BLUE	W-P—WHITE-PURPLE
BR—BROWN	W-Y—WHITE-YELLOW
Y—YELLOW	W-R—WHITE-RED
G—GREEN	W-O—WHITE-ORANGE
S—SLATE	W-S—WHITE-SLATE
BK—BLACK	R-BL—RED-BLUE
O—ORANGE	W-P-BK—WHITE-PURPLE-BLACK
P—PURPLE	W-Y-BK—WHITE-YELLOW-BLACK
W-BL—WHITE-BLUE	W-BR—WHITE-BROWN
 - CONNECTORS VIEWED FROM SOLDER END
 - 151827 TERMINAL STRAP
 - SPARE TERMINAL BLOCK PROVIDED FOR CUSTOMER CONVENIENCE.
 - ALL WIRES TO BE 24 GAGE EXCEPT AS NOTED BELOW
* 18 GAGE WIRE TO BE USED
 - 103160 GROUND STRAP CONNECTED BETWEEN INNER AND OUTER PAN NEAR MOTOR.
 - NUMERALS IN PARENTHESIS ARE NOT MARKED ON THE COMPONENTS BUT ARE SHOWN FOR PROPER ORIENTATION.
 - FOR ASSOCIATED WIRING DIAGRAM REFER TO 7018WD SCHEMATIC.
 - GROUND SCREW LOCATED ON TERMINAL BLOCK MOUNTING BRACKET FOR CUSTOMERS TERMINAL GROUND CONNECTION



ACTUAL WIRING DIAGRAM

MODEL 28-32 RECEIVE ONLY
PRINTERBASE
LLBI-LLB2

APPROVALS

DESIGNED BY	DATE
CHKD	DATE
APPD	DATE

E NUMBER

PROD NO 7017WD

DATE: 8-21-63

P.D. FILE NO. 4.30.65/153219A

DRAWN N.K.G. CHKD

ENGD J.C.F. APPD

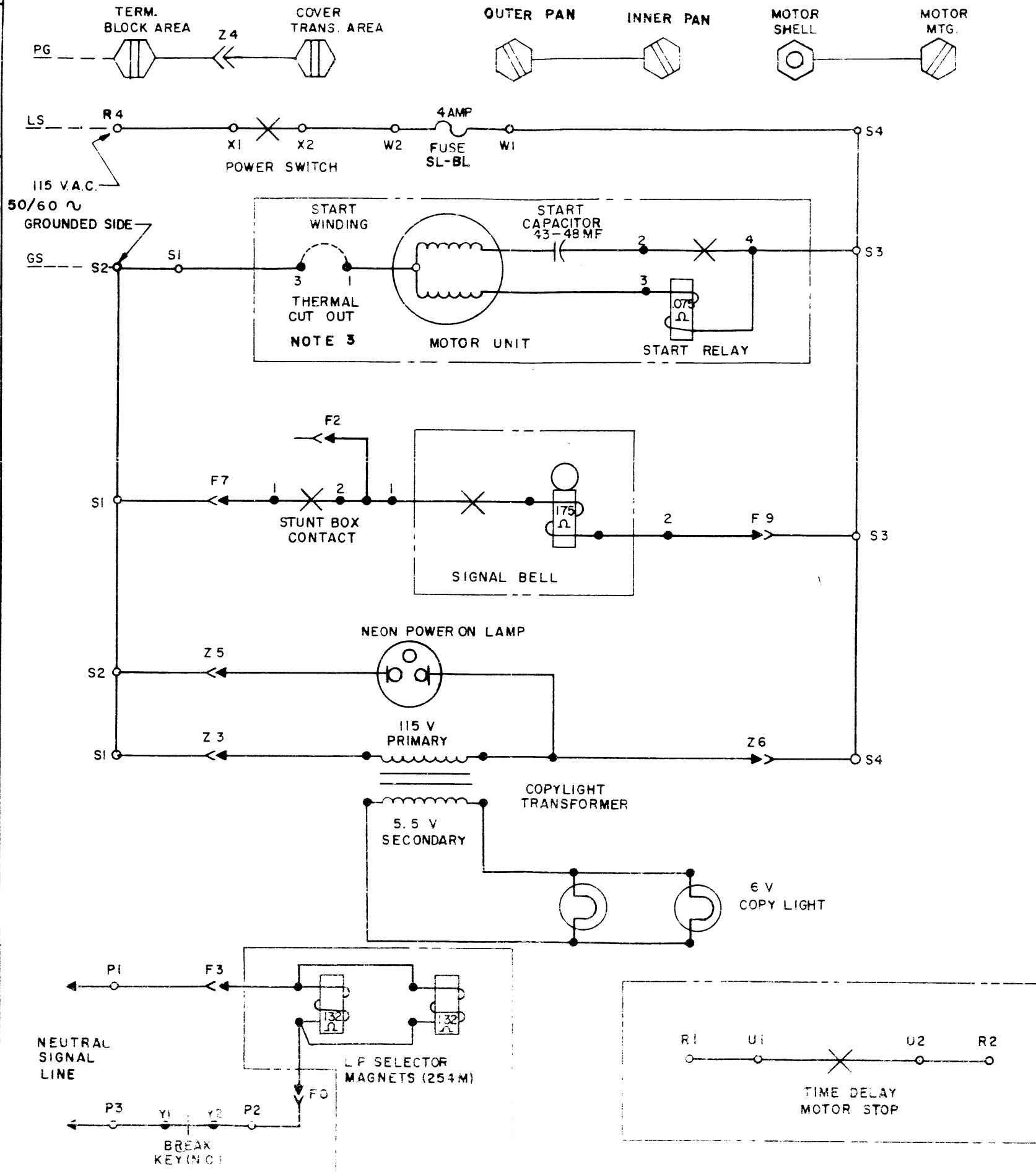
TELETYPE CORPORATION

7017 WD

7018 WD

ISSUE	DATE	AUTH NO.
1	1-6-64	79764
2	7-30-64	83111
3	8-27-64	85671
4	9-28-64	83954
5	10-12-64	83954-1
6	11-23-65	89792
7	11-23-65	89112

- NOTES:**
- LEGEND:**
 - ← Z 6 POINT CONNECTOR
 - ← F 20 POINT CONNECTOR
 - TERMINAL BLOCK-LLBI
 - MOTOR AND PRINTER CONNECTIONS.
 - ACTUAL WIRING DIAGRAMS**
 - 7017 WD (BASE)
 - 2900 WD (MOTOR UNIT)
 - 3214 WD (PRINTER)
 - 5978 WD (COVER)
 - 193781 CUT-OUT SWITCH USED FOR 50~ OPERATION
I22249 CUT-OUT SWITCH USED FOR 60~ OPERATION



SCHEMATIC WIRING DIAGRAM FOR MODEL 28-32 RECEIVE ONLY PRINTER BASE

APPROVALS

D AND R	E OF M
<i>[Signature]</i>	<i>[Signature]</i>
E NUMBER	
PRG NO 7018 WD	

DATE 8-29-63
 P.D. FILE NO. 4.30.65/153/219A
 DRAWN E M CHKD *[Signature]*
 ENGD J C F APPD *[Signature]*

TELETYPE CORPORATION
 7018 WD