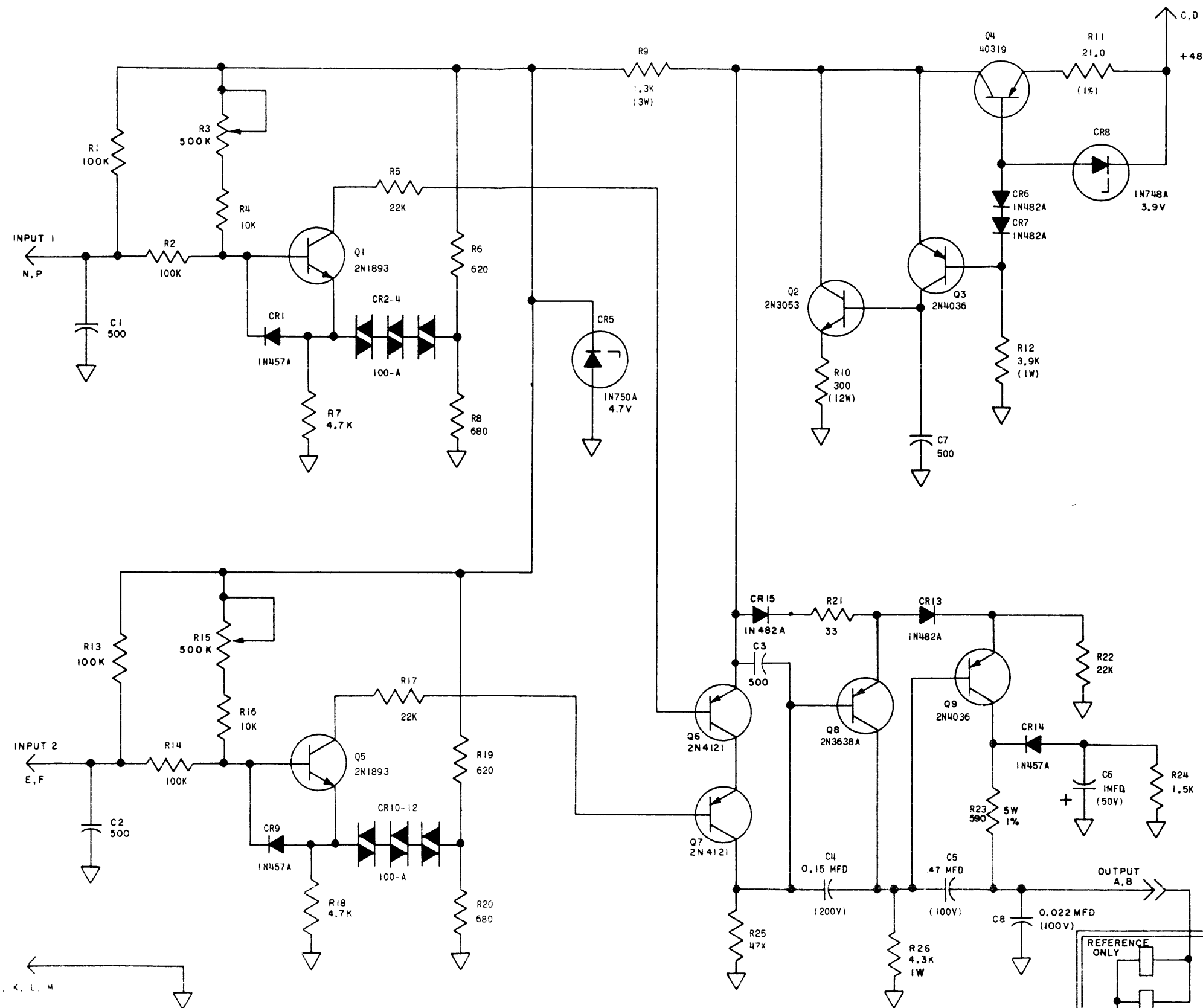


8143 WD

REVISIONS

ISSUE	DATE	AUTH. NO.
1	2-23-67	18284-R
2	5-17-67	93739
3	10-16-67	94596-B

- NO. NOTES
- R3 AND R15 ARE ADJUSTED FOR SYMMETRICAL SWITCHING ABOUT ZERO VOLTS FOR INPUT 1 AND 2 RESPECTIVELY.
 - PINS A, B - 60MA TO COILS
PINS C, D - 47 TO 53V DC POWER INPUT
PINS N, P - MS 188B SIGNAL INPUT 1
PINS E, F - MS 188B SIGNAL INPUT 2
PINS H, J, K, L, M, - CIRCUIT COMMON
(ALL INPUTS AND OUTPUTS REFERRED TO CIRCUIT COMMON).
 - REFERENCE SPEC. FOR TELETYPE CORP. EMPLOYEES ONLY:
61,264S.
 - ALL RESISTORS ARE 5%, 1/2 WATT UNLESS OTHERWISE SPECIFIED.
 - ALL CAPACITANCE VALUES IN PICOFARADS UNLESS OTHERWISE SPECIFIED.
 - ∇ DENOTES CIRCUIT COMMON.



WDP

SCHEMATIC
WIRING DIAGRAM
FOR
323810
SELECTOR MAGNET
DRIVER
WITH SIGNAL COMBINER
(MS 188B INPUTS)

APPROVALS

D AND R <i>ADK</i>	E OF M <i>[Signature]</i>
-----------------------	------------------------------

E-NUMBER

PROD. NO. 8143WD

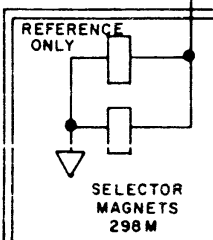
DATE 9-12-66

R.D. FILE NO. 15-65AAA

DRAWN R.S.S.	CHKD. <i>[Signature]</i>
ENGD. D.D. <i>AD</i>	APPD. <i>[Signature]</i>

TELETYPE CORPORATION

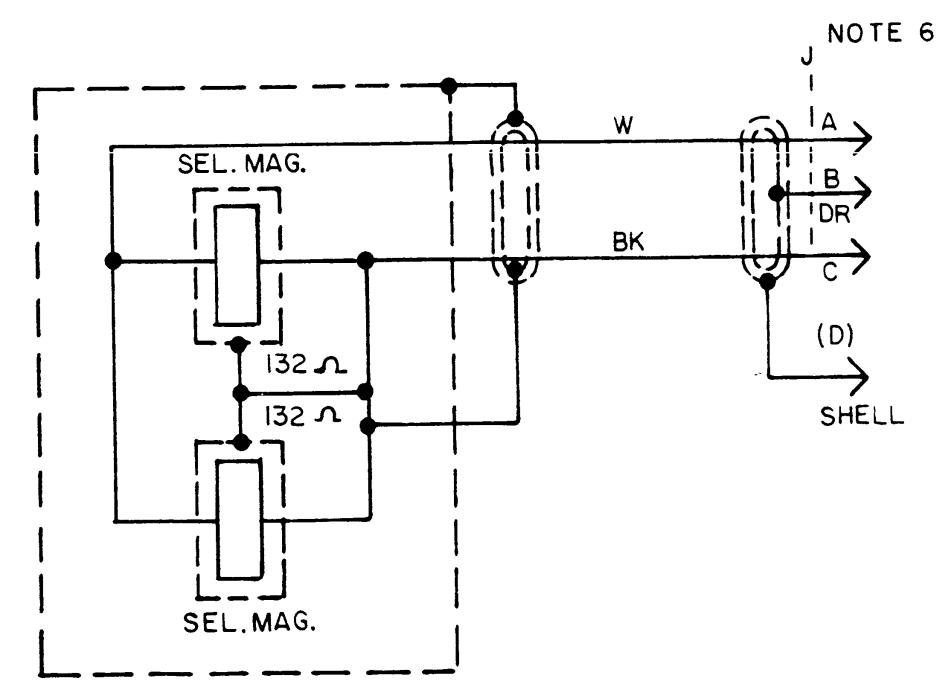
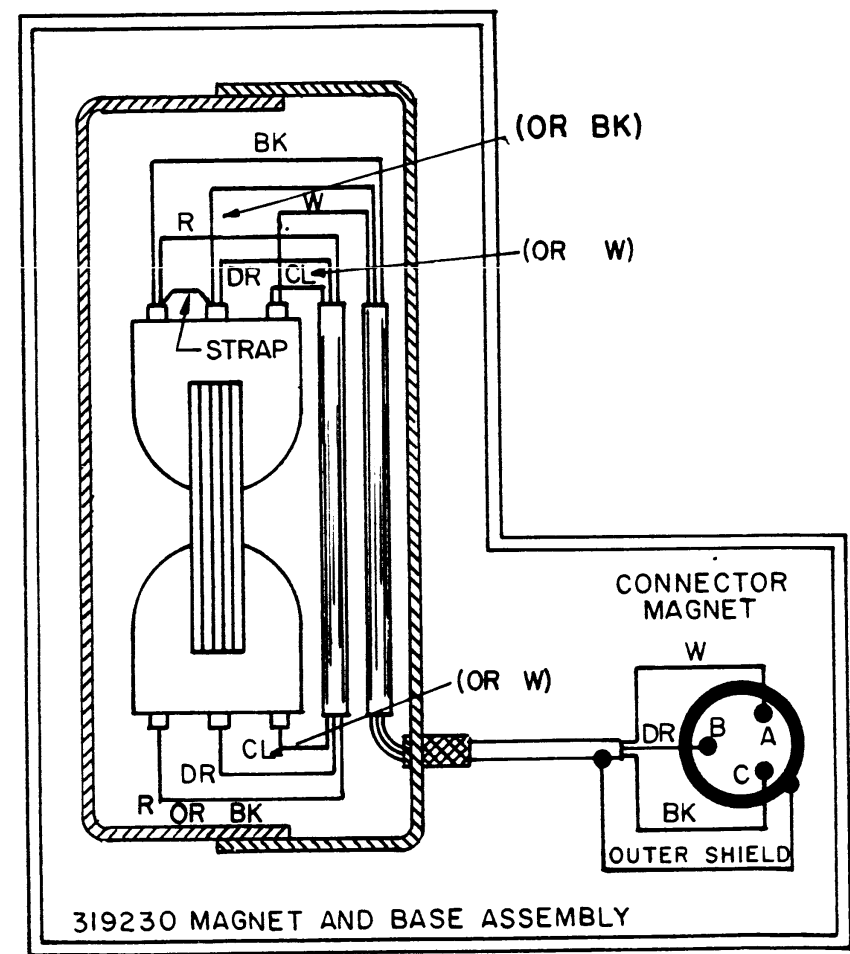
8143 WD



REVISIONS

ISSUE	DATE	AUTH NO
1	7-13-67	18541R
2	5-3-68	95712

- NO. NOTES
- CONNECTOR VIEWED FROM SOLDER TERMINAL END.
 - SELECTOR MAGNETS ARE WIRED FOR .060 AMPERE OPERATION OR USE WITH 323810 SELECTOR MAGNET DRIVER.
 - COLOR CODE
R- RED
W- WHITE
BK- BLACK
 - REFERENCE SPEC. FOR TELETYPE CORPORATION EMPLOYEES ONLY 61213S
 - LEGEND:
DR-DRAIN
CL-CLEAR INSULATION
 - REFER TO APPROPRIATE SET SCHEMATIC WIRING DIAGRAM FOR J CONNECTOR NUMBER.



WDP

ACTUAL AND SCHEMATIC WIRING DIAGRAM FOR 319204 SELECTOR ASSEMBLY

APPROVALS

D AND R	E OF M
<i>[Signature]</i>	<i>[Signature]</i>

E NUMBER

PROD NO. 8299 WD

DATE 4-27-67

P.O. FILE NO 15-65-AAA

DRAWN	CHKD
ENGD. D.C.L.R.	APPD <i>[Signature]</i>

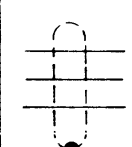
TELETYPE CORPORATION

REVISIONS

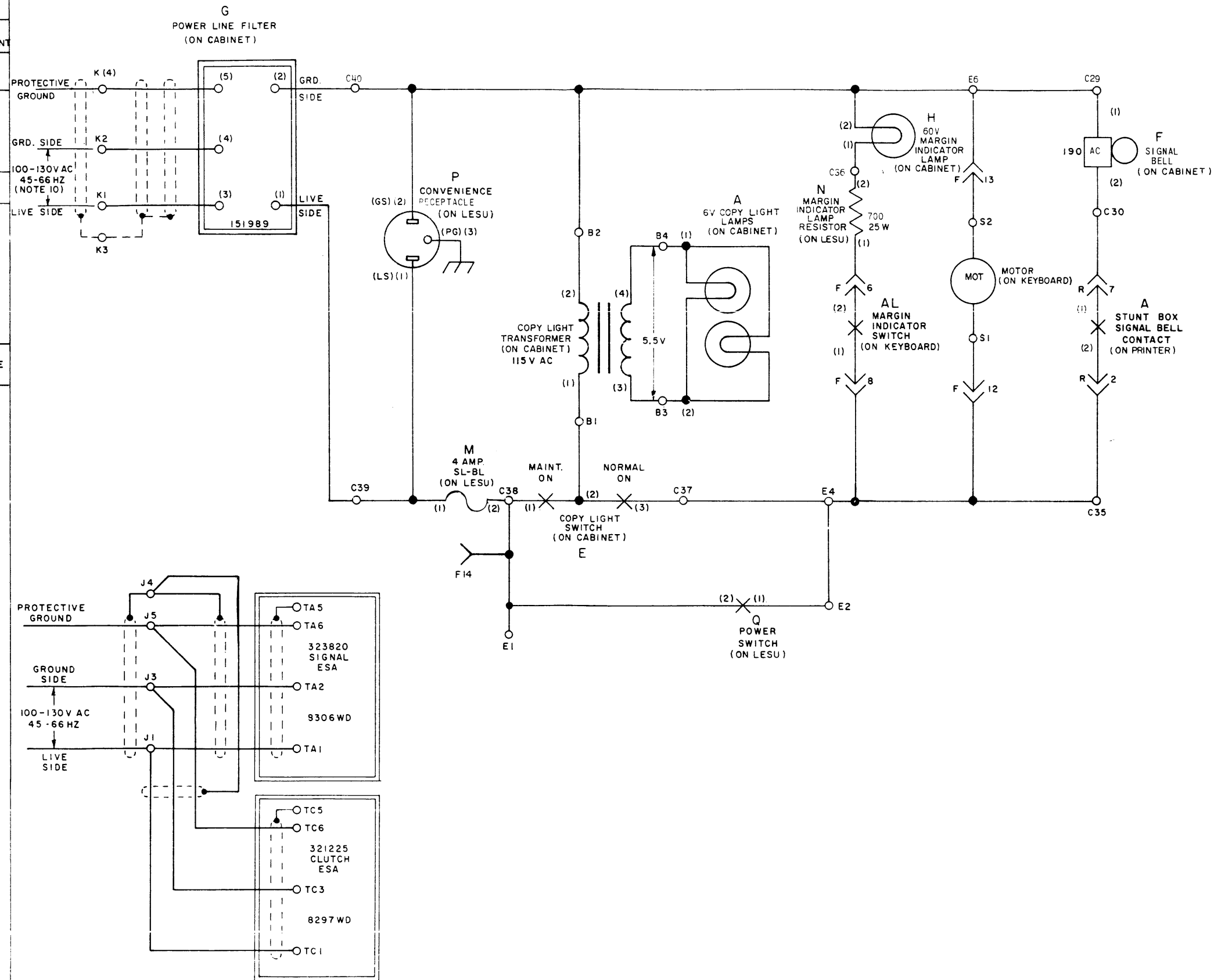
ISSUE	DATE	AUTH. NO.
1	7-11-67	17983-R
2	7-1-68	95875

NOTE
REVISION INFORMATION MUST ALSO BE REFLECTED ON THE ISSUE CONTROL RECORD WHICH IS A PART OF THIS DRAWING.

- NO. NOTES
- ALL RESISTANCE VALUES ARE IN OHMS, CAPACITANCE IN MICROFARADS, AND INDUCTANCE VALUES IN MICROHENRIES UNLESS OTHERWISE SPECIFIED.
 - ALL RESISTORS 1/2 WATT UNLESS OTHERWISE SPECIFIED.
 - SL-BL INDICATES SLOW BLOWING.
 - > INDICATES FEMALE TERMINAL
 - ←— INDICATES MALE TERMINAL
 - TERMINAL DESIGNATIONS ENCLOSED IN PARENTHESIS ARE NOT MARKED ON COMPONENT

- FOR ACTUAL WIRING DIAGRAMS OF INDIVIDUAL UNITS SEE:
 - 2900WD LMU (MOTOR)
 - 8300WD LAC 227 (CABINET)
 - 8301WD LP 138 (PRINTER)
 - 8302WD LK 61 (KEYBOARD)
 - 8303WD LESU 128 (LESU)
- ALL APPARATUS SHOWN IN DE-ENERGIZED OR UNOPERATED POSITION.
- 

INDICATES SHIELDED LEADS
- MOTOR UNITS MUST BE CHOSEN IN ACCORDANCE WITH AVAILABLE LINE FREQUENCY AND REGULATION.



SEE ISSUE CONTROL RECORD FOR COMPLETE LIST OF SHEETS COMPRISING THIS WD

SHEET 1 WDP

SCHEMATIC WIRING DIAGRAM FOR
28-RFK 2001A
28-RFK 2002B
KSR SET
AC POWER DISTRIBUTION

APPROVALS

D AND R	E OF M
<i>[Signature]</i>	<i>[Signature]</i>

E-NUMBER
PROD. NO. 8304 WD
DATE 1-30-67
P.D. FILE NO. 15-65AAA
DRAWN
ENGD. D.C.L.

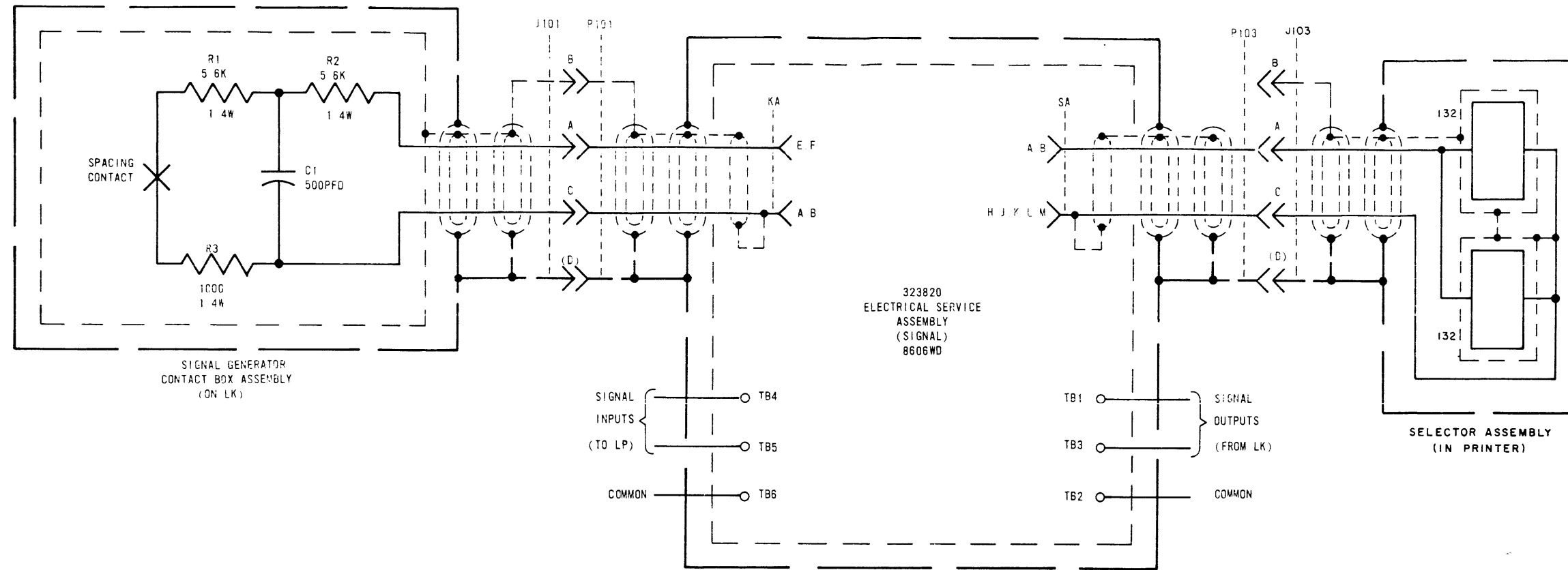
TELETYPE CORPORATION

NO.	NOTES
1	REFER TO SHEET 1 FOR NOTES

NOTE
REVISION INFORMATION MUST ALSO BE
REFLECTED ON THE ISSUE CONTROL REC-
ORD WHICH IS A PART OF THIS DRAWING.

8304WD

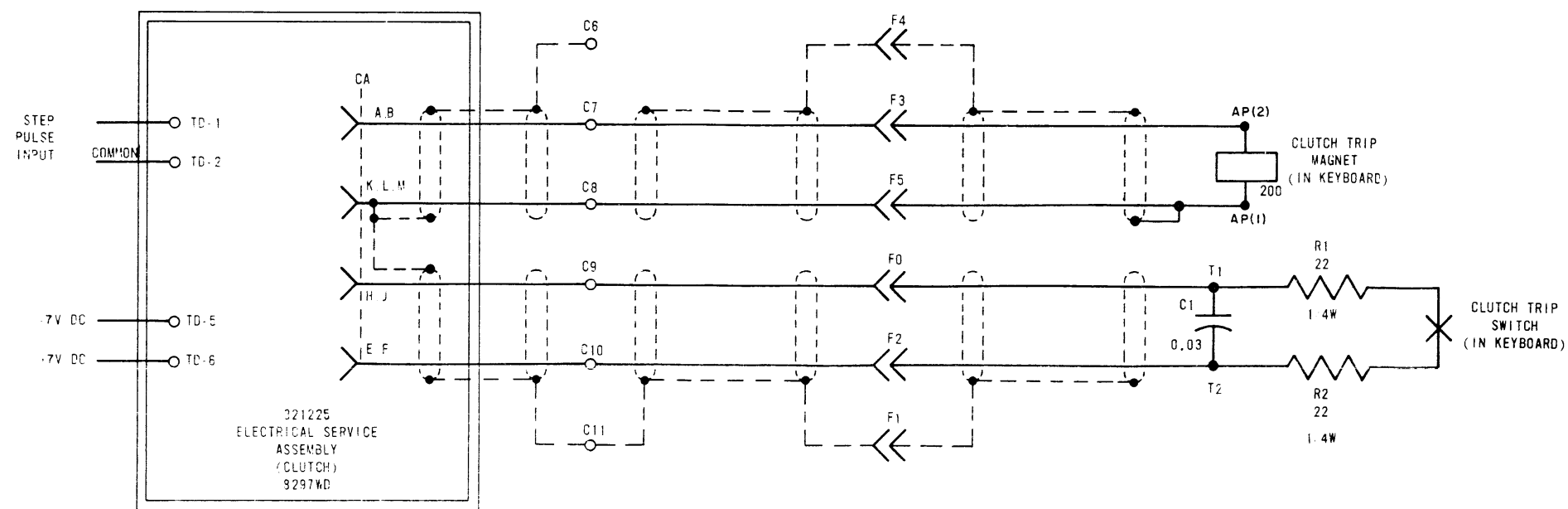
REVISIONS		
ISSUE	DATE	AUTH. NO.
1	7-11-67	17983-R
2	1-24-68	94934
3	7-1-68	95875



SEE ISSUE CONTROL RECORD FOR COM-
PLETE LIST OF SHEETS COMPRISING THIS
WD

SHEET 2

WDP



SCHEMATIC
WIRING DIAGRAM
FOR
28-RFK2001A
28-RFK2002B
SIGNAL AND
CONTROL CIRCUITS

APPROVALS

D AND R <i>HJK</i>	E OF M <i>cr</i>
-----------------------	---------------------

E-NUMBER

PROD. NO. 8304WD

DATE 5-10-67

P.D. FILE NO. 15-65AAA

DRAWN J.J.A. CHKD. *HJK*

ENGD. D.C.L. APPD. *D.C.L.*



TELETYPE
CORPORATION

8304WD

REVISIONS

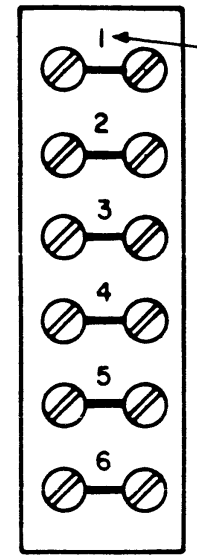
ISSUE	DATE	AUTH. NO.
1	6-20-67	17983-R
2	1-23-68	94934

NOTE: REVISION INFORMATION MUST ALSO BE REFLECTED ON THE ISSUE CONTROL RECORD, WHICH IS A PART OF THIS DRAWING.

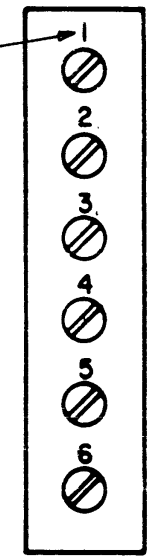
- NO. NOTES**
- ALL VOLTAGES DC UNLESS OTHERWISE SPECIFIED.
 - TERMINAL DESIGNATIONS ENCLOSED IN PARENTHESIS ARE FOR REFERENCE AND ARE NOT MARKED ON COMPONENT.
 - FUSE NUMBER: 162360
10AMP SLOW BLOWING
 - TERMINAL NUMBERS APPEAR ON ASSOCIATED MARKING STRIP.
 - * INDICATES TO TAPE END TERMINATING POINT.
 -  INDICATES SINGLE SHIELDING
 -  INDICATES DOUBLE SHIELDING
 - ALL STRAPPING WIRE 24 AWG BARE, 39603 RM, USE SLEEVING WHERE REQUIRED.
 - INDICATES 18 AWG STRANDED WIRE.
 - INDICATES 24 AWG STRANDED WIRE.
 - INDICATES 24 AWG 2 LEAD SINGLE SHIELDED CABLE.
 ALL SURFACE WIRE 24AWG GREEN, 31784 RM, UNLESS OTHERWISE SPECIFIED.
 - STRAP BETWEEN TERMINALS TB3 & 4 CONNECTS PRINTER TO KEYBOARD OUTPUT. FOR FULL DUPLEX OPERATION REMOVE STRAP
 - IF EXTERNAL BATTERY IS SUPPLIED FOR POLAR LINE KEYS, REMOVE STRAPS BETWEEN TD1, TD2 & TD3, TD4. APPLY + BATTERY (6.6 TO 7.8V) TO TD2 & - BATTERY (6.6 TO 7.8V) TO TD4. IF ±6V IS SUPPLIED, KEYS OUTPUT WILL DROP TO ±4.5V.
 - REFER TO 8306WD FOR SCHEMATIC WIRING DIAGRAM
 - COLOR CODE:

BK - BLACK	P - PURPLE
BL - BLUE	R - RED
BR - BROWN	S - SLATE
G - GREEN	W - WHITE
O - ORANGE	Y - YELLOW

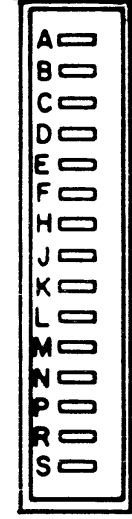
TA
111284
TERMINAL BOARD



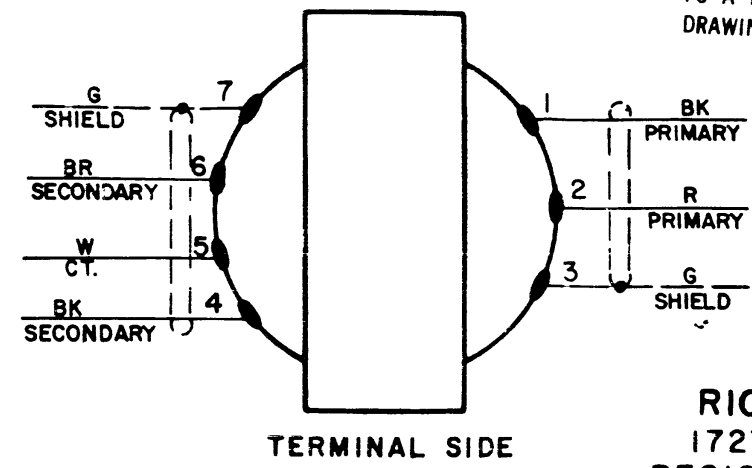
TB, TC, TD
158250
TERMINAL BOARD



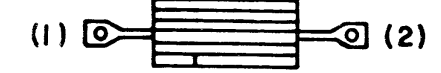
KA, PA, SA
326270
CONNECTOR



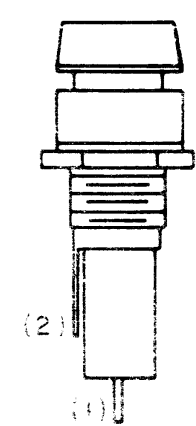
T1
326351
TRANSFORMER ASSEM.



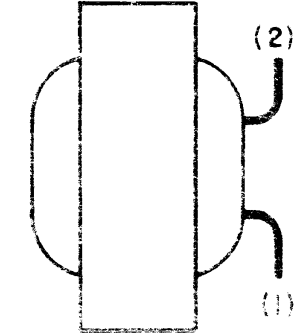
RI01
172726
RESISTOR



FI01
116783
FUSE HOLDER



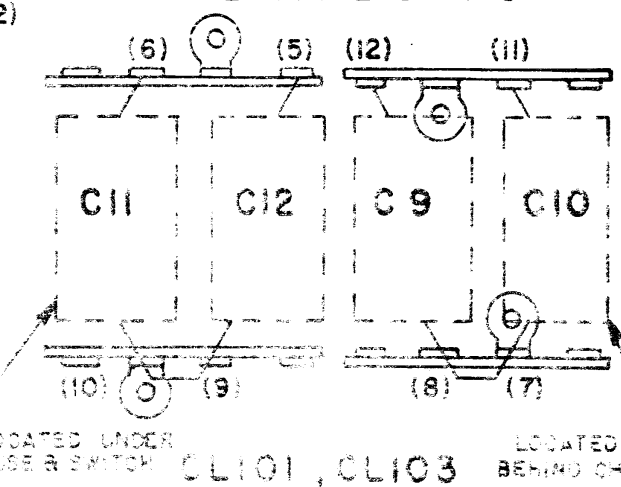
L1, L2
321133
CHOKE, FILTER



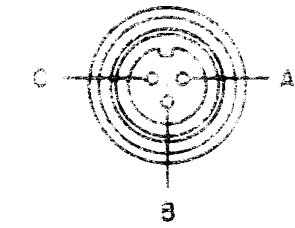
C9, C10, C11, C12
327444
CAPACITOR



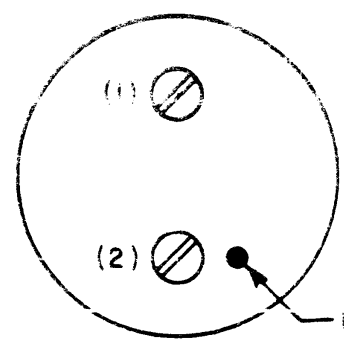
TS101
321207
TERMINAL STRIPS



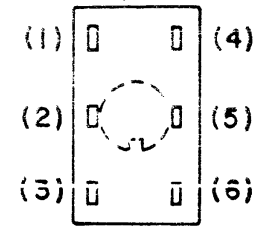
PI01, PI03
324141
CONNECTOR



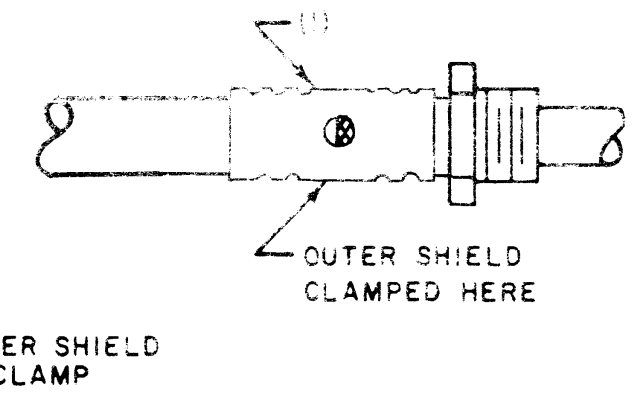
C8
321129
CAPACITOR



SI01
118659
SWITCH



321276, 321238
CLAMP



SEE ISSUE CONTROL RECORD FOR COMPLETE LIST OF SHEETS COMPRISING THIS W.D.

SHEET 1 WDP

ACTUAL WIRING DIAGRAM FOR 323820 ELECTRICAL SERVICE ASSEMBLY

APPROVALS

D AND R	E OF M
E NUMBER	
PROD NO 8305 WD	
DATE: 1-23-67	
P.D. FILE NO. 15-65AAA	
DRAWN J.J.A. CHKD	
ENGD. E.J.Z. APPD.	

TELETYPE CORPORATION

NO.

NOTES

1. SEE SHEET 1 FOR NOTES.

8305WD

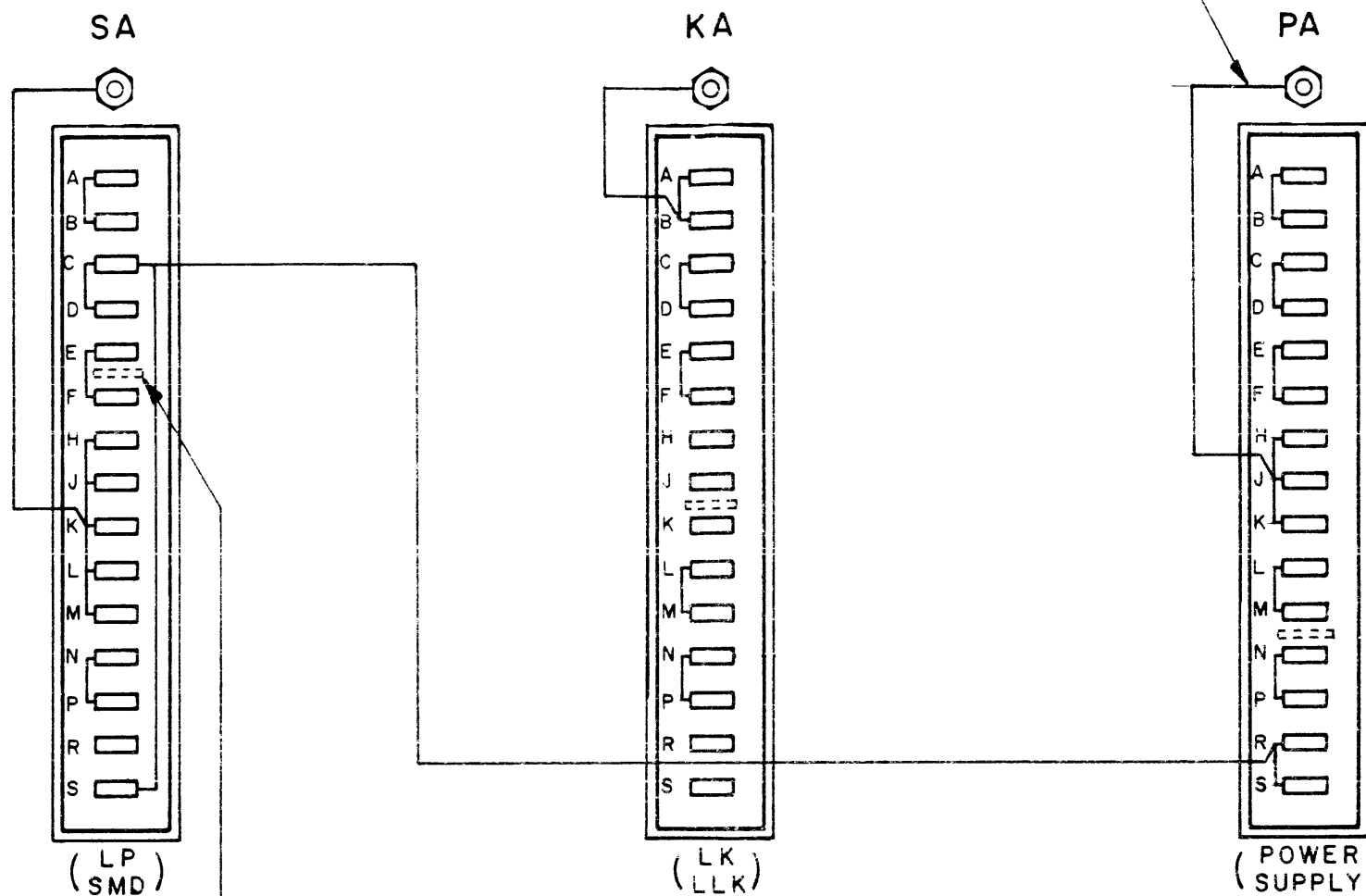
REVISIONS

ISSUE	DATE	AUTH. NO.
1	6-20-67	17983-R
2	1-23-68	94934
3	4-25-69	98545

NOTE: REVISION INFORMATION MUST ALSO BE REFLECTED ON THE ISSUE CONTROL RECORD, WHICH IS A PART OF THIS DRAWING.

326270 CONNECTOR

136653 STRAP (3 PLS.)



ADD POLARIZING KEY TO CONNECTOR IN POSITIONS INDICATED. (3 PLS.)

SEE ISSUE CONTROL RECORD FOR COMPLETE LIST OF SHEETS COMPRISING THIS W.D.

SHEET 2 WDP

ACTUAL WIRING DIAGRAM FOR 323820 ELECTRICAL SERVICE ASSEMBLY

APPROVALS

D AND R	E OF M
---------	--------

E-NUMBER

PROD. NO. 8305 WD

DATE: 11-1-66

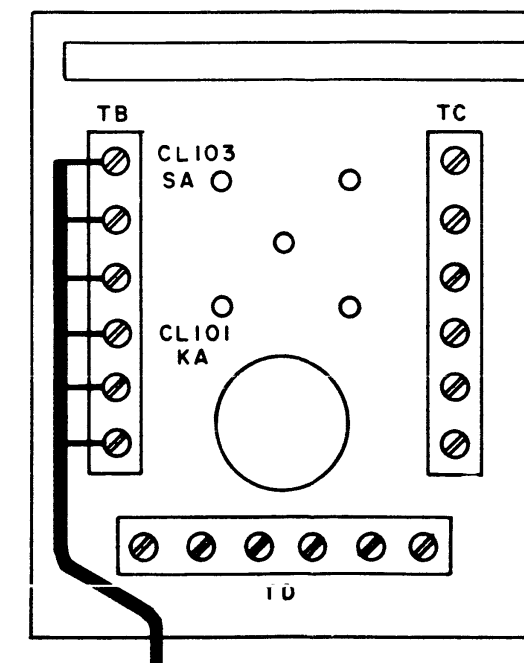
P.D. FILE NO. 15-65AAA

DRAWN J.J.A. CHED.

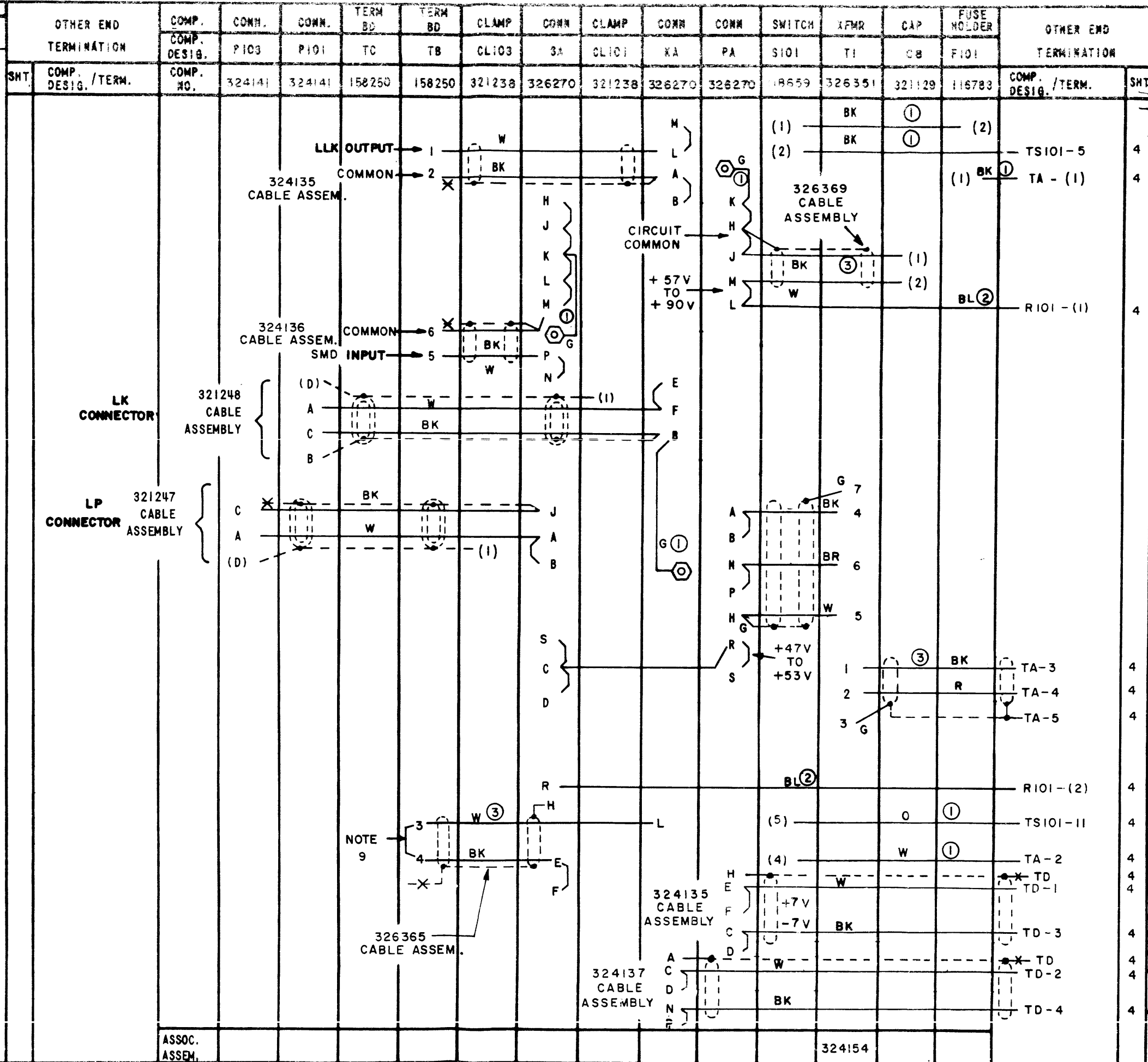
ENGR. D.C.L. APPD.

TELETYPE CORPORATION

8305WD



NO. NOTES
1. REFER TO SHEET 1 FOR NOTES



8305 WD		
REVISIONS		
ISSUE	DATE	AUTH. NO.
1	6-19-67	17983-R
2	1-23-68	94954
3	3-7-68	95392
4	6-24-69	1020

NOTE: REVISION INFORMATION MUST ALSO BE REFLECTED ON THE ISSUE CONTROL RECORD, WHICH IS A PART OF THIS DRAWING.

SEE ISSUE CONTROL RECORD FOR COMPLETE LIST OF SHEETS COMPRISING THIS W.D. SHEET 3 **WDP**

ACTUAL WIRING DIAGRAM FOR 323820 ELECTRICAL SERVICE ASSEMBLY

APPROVALS
R AND D: [Signature] E OF M: [Signature]

E-NUMBER
PROD. NO. 8305 WD

DATE 1-23-67
P.D. FILE NO. 15.65AAA

DRAWN JJA CHKD. [Signature]
ENG. EJZ APPD. [Signature]

TELETYPE CORPORATION

8305 WD

I. REFER TO SHEET I FOR NOTES.

OTHER END TERMINATION		COMP. COMP. DESIG.	TERM BD TA	CHOKE LI	CHOKE L2	TERM STRIP TS101	CAP C9	CAP C10	CAP C11	CAP C12	RES. R101	TERM. BOARD TD	OTHER END TERMINATION	
SHT	COMP. DESIG. /TERM.	COMP. NO.	111284	321133	321133	321207	327444	327444	327444	327444	172726	158250	COMP. /TERM. DESIG.	SHT
3	SI01 - (2)	BK ①		BK ①		(5)							BL ②	3
3	FI01 - (1)	BK ①		(1)		(9)							BL ②	3
		G ①				(10)				(2)				
						(7)				(2)				
						(8)				(2)				
3	SI01 (5)		0	①		(1) W								
				(2)		BK								
3	TI - (1)		3	BK ①		(6)								
3	TI - (2)		4	R ①		(12)								
3	TI - (3)		5	(2) BK										
		G ①	6											
3	SI01 (4)	W	2											
3	PA-H													
3	PA-C													
3	PA-E													
3	KA-C													
3	KA-N													
3	KA-A													

GROUND SCREW OUTER BOX

PROTECTIVE GROUND

GROUND SIDE

115 VAC LIVE SIDE

324135 CABLE ASSEMBLY

151819 STRAP (2 PLS.)

NOTE 10

324137 CABLE ASSEMBLY

-7V

+7V

REVISIONS

ISSUE	DATE	AUTH. NO.
1	6-19-67	17983-R
2	1-23-68	194934
3	3-7-68	23396

NOTE: REVISION INFORMATION MUST ALSO BE REFLECTED ON THE ISSUE CONTROL RECORD, WHICH IS A PART OF THIS DRAWING.

SEE ISSUE CONTROL RECORD FOR COMPLETE LIST OF SHEETS COMPRISING THIS W.D. SHEET 4

WDP

ACTUAL WIRING DIAGRAM FOR 323820 ELECTRICAL SERVICE ASSEMBLY

APPROVALS

R AND D <i>ASX</i>	E OF M <i>[Signature]</i>
-----------------------	------------------------------

E-NUMBER
PROD. NO. 8305 WD

DATE 1-23-67

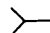
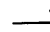
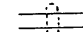
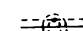
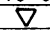
P. D. FILE NO. 15-65AAA

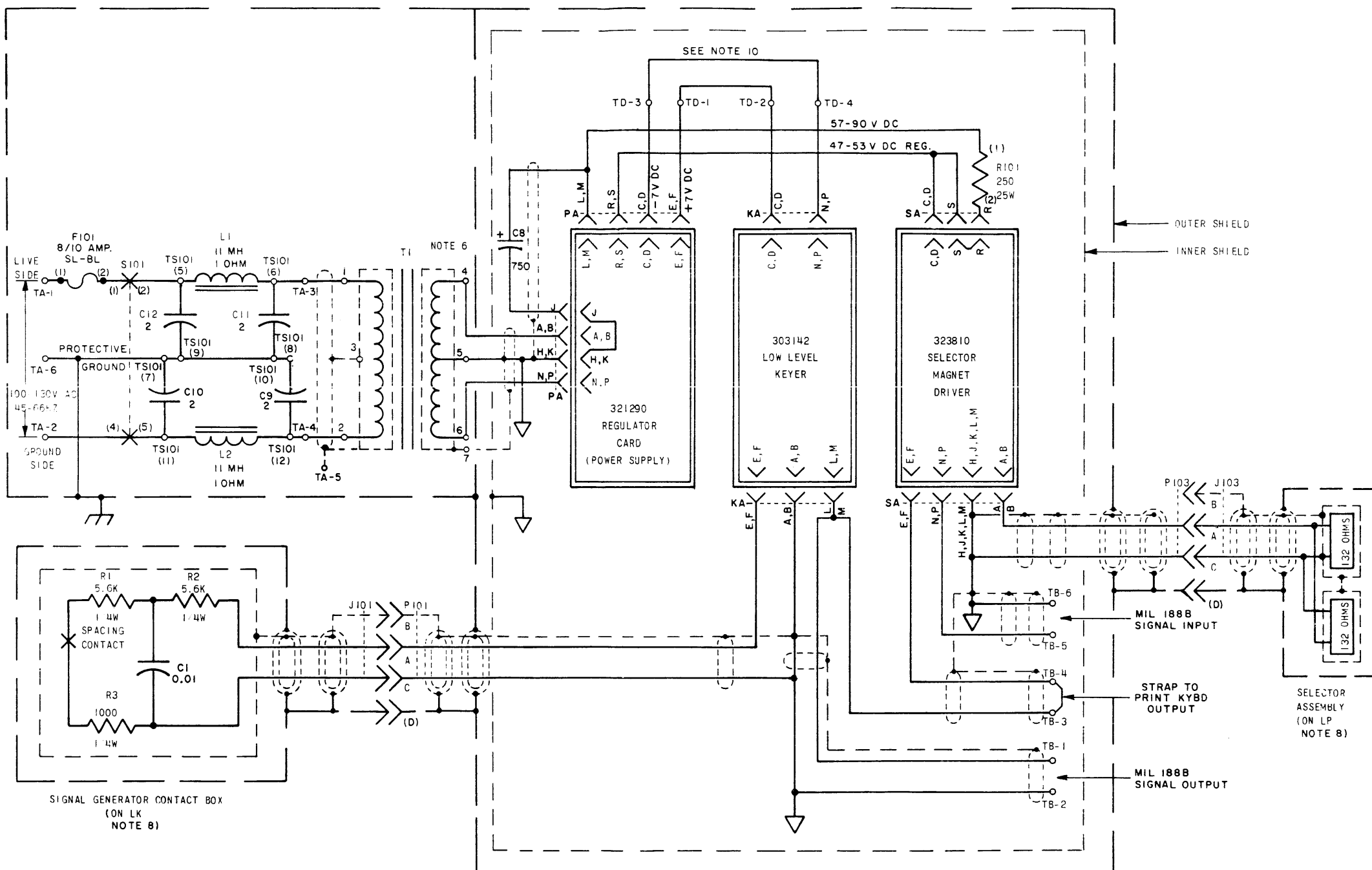
DRAWN JJA	CHKD. <i>[Signature]</i>
ENGD. EJZ	APPD. <i>[Signature]</i>

TELETYPE CORPORATION

REVISIONS

ISSUE	DATE	AUTH. NO.
1	4-11-67	18427-R
2	1-25-68	94934
3	2-28-68	95396

10. NOTES.
- RESISTANCE VALUES IN OHMS. ALL CAPACITANCE VALUES IN MICROFARADS, UNLESS OTHERWISE SPECIFIED.
 -  INDICATES FEMALE TERMINAL
 INDICATES MALE TERMINAL
 -  INDICATES SINGLE SHIELDING
 INDICATES DOUBLE SHIELDING
 - REFER TO 8305WD FOR ACTUAL WIRING DIAGRAM.
 - SL-BL INDICATES SLOW-BLOWING.
 - TI SECONDARY 50V AC TO CENTER TAP WITH 115V AC INPUT. 8 OHMS (MAX.) PRIMARY RESISTANCE 10 OHMS (MAX.) SECONDARY RESISTANCE TO CENTER TAP.
 -  INDICATES CIRCUIT COMMON
 - REFER TO ACTUAL WIRING DIAGRAM FOR THE PARTICULAR LK, OR LP ASSOCIATED WITH THE SET.
 - REFERENCE SPEC FOR TELETYPE CORPORATION EMPLOYEES ONLY 61267 S
 -
 - TERMINAL DESIGNATIONS ENCLOSED IN PARENTHESIS ARE FOR REFERENCE AND ARE NOT MARKED ON COMPONENT.
 - IF EXTERNAL BATTERY IS SUPPLIED FOR POLAR LINE KEYS, REMOVE STRAPS BETWEEN TD-1, TD-2 AND TD-3, TD-4. APPLY + BATTERY (66 TO 78V) TO TD-2, AND - BATTERY (66 TO 7.8V) TO TD-4. IF ±6V IS SUPPLIED, THE KEYS OUTPUT WILL DROP TO ±45V



SCHEMATIC WIRING DIAGRAM FOR 323820 ELECTRICAL SERVICE ASSEMBLY

APPROVALS

D AND R <i>[Signature]</i>	E OF M <i>[Signature]</i>
-------------------------------	------------------------------

E-NUMBER
 PROD. NO. 8306WD
 DATE 2-13-67
 P.D. FILE NO. 15-65AAA
 DRAWN JJA CHKD. *[Signature]*
 ENGD. G.H.M. APPD. *[Signature]*

TELETYPE CORPORATION

NO. NOTES

1. WIRING LEGEND:
 Distant Terminating Area
 Distant Terminating Designation
 AH-1-BK
 WIRE COLOR CODE

2. 324060 ASSEM. INCLUDES ALL COMPONENTS ON SHEET 1 ONLY
 324061 ASSEM. INCLUDES ALL COMPONENTS ON SHEET 1 AND 2
 325918 ASSEM. INCLUDES ALL COMPONENTS ON SHEET 1 AND 2 EXCEPT "C1" AND "C2" ON SHEET 1
 326471 ASSEM. INCLUDES ALL COMPONENTS ON SHEET 1 ONLY EXCEPT "C1" AND "C2"

3. ALL WIRING 18 AWG ALL STRAPPING WIRE 24 AWG BARE 39603RM
 (5) INDICATES 24 AWG SURFACE WIRE 31784RM.
 (1) INDICATES 18 AWG STRANDED WIRE
 (2) INDICATES 24 AWG STRANDED WIRE.
 (3) INDICATES 24 AWG, 2 LEAD SINGLE SHIELDED CABLE.
 (4) INDICATES 20 AWG, 3 LEAD SINGLE SHIELDED CABLE
 (5) INDICATES 22 AWG, 3 LEAD SINGLE SHIELDED CABLE.
 (6) INDICATES 22 AWG, 2 LEAD SINGLE SHIELDED CABLE.

4. ASSOCIATED CABLES:
 325924 POWER SWITCH & FUSE CABLE
 325923 POWER FACTOR CORRECTION CABLE
 325919 CONTAINER ASSEM.W/ CABLE.

5. REFER TO 8330WD FOR WIRING DIAGRAM OF 325919 CONTAINER ASSEMBLY.

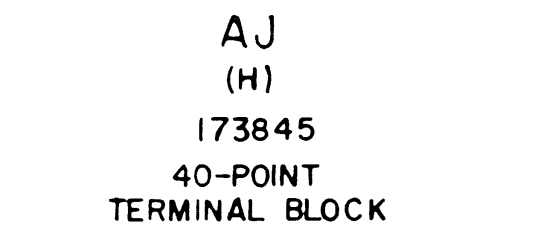
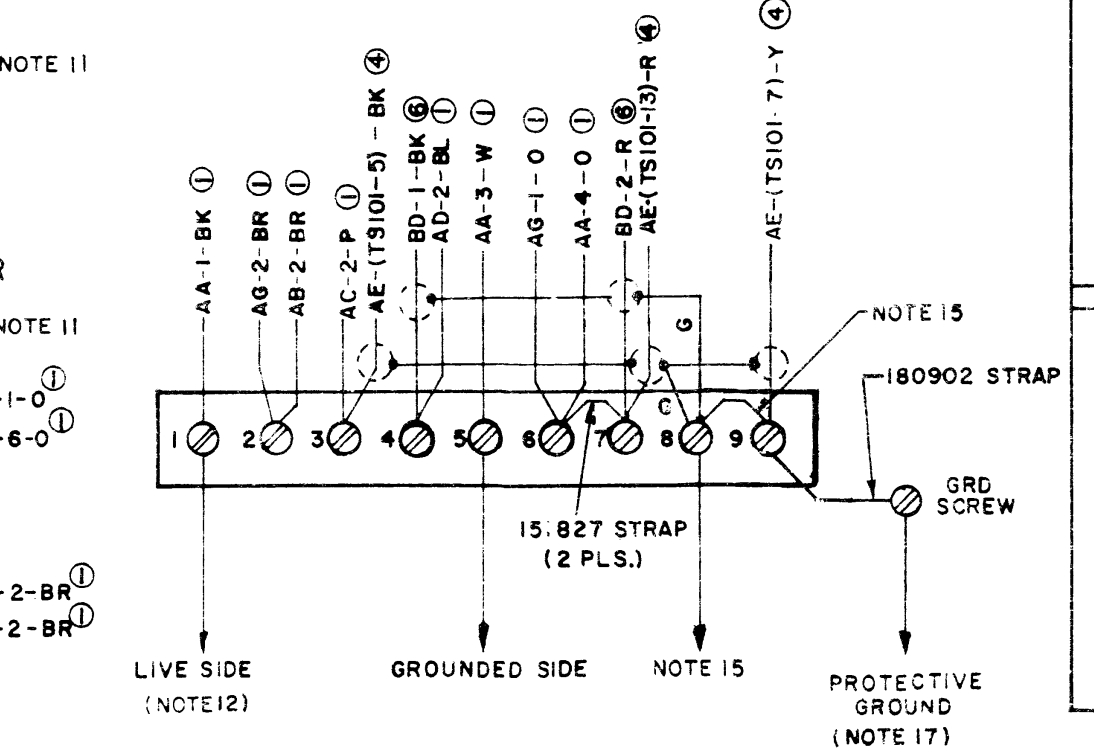
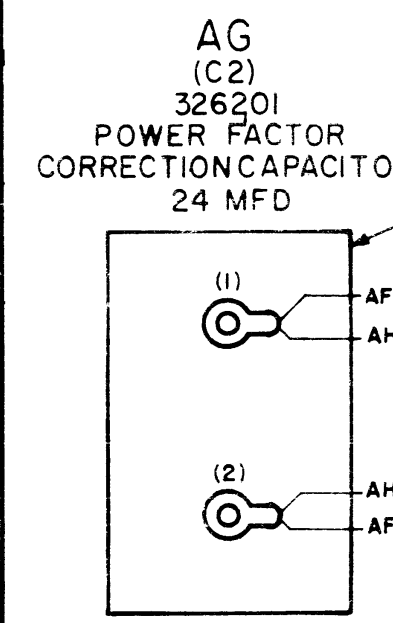
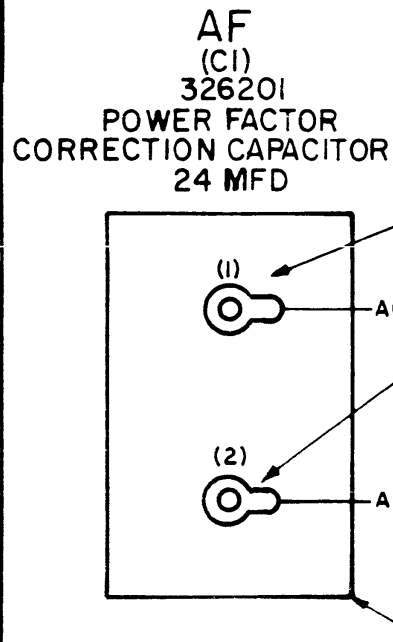
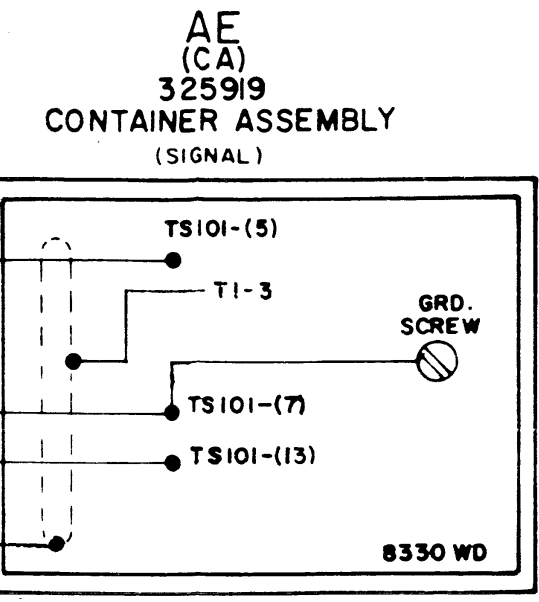
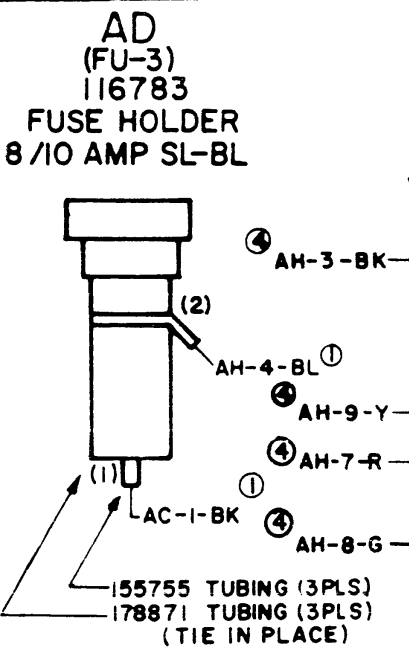
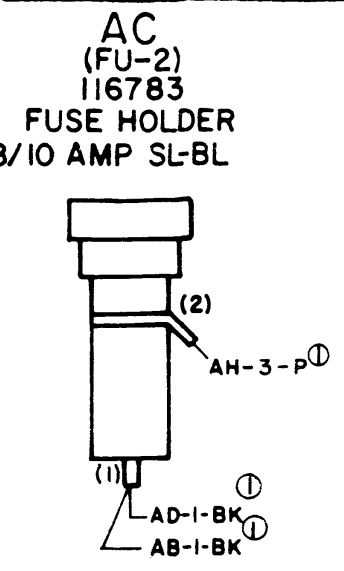
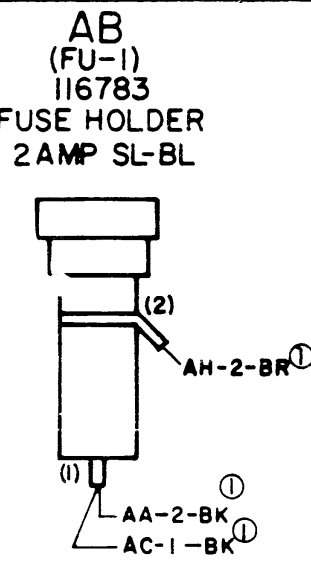
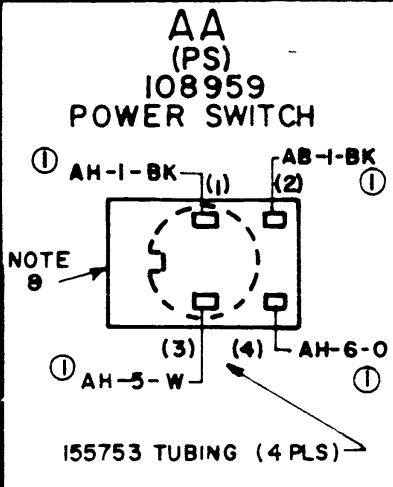
6. REFER TO 8331WD & 8332WD FOR SCHEMATIC DIAGRAM.

7. REFERENCE SPEC. FOR TELETYPE CORPORATION EMPLOYEES ONLY:
67,367 S

8. COMPONENT VIEWED FROM WIRING SIDE.

9. TERMINAL DESIGNATIONS ENCLOSED IN PARENTHESIS ARE FOR REF. AND ARE NOT MARKED ON COMP.

SEE SHEET 2 FOR ADDITIONAL NOTES



(4)	---	---	---	---	---	---	---	---	---
(8)	---	---	---	---	---	---	---	---	---
(12)	---	---	---	---	---	---	---	---	---
(16)	---	---	---	---	---	---	---	---	---
(20)	---	---	---	---	---	---	---	---	---
(24)	---	---	---	---	---	---	---	---	---
(28)	---	---	---	---	---	---	---	---	---
(32)	---	---	---	---	---	---	---	---	---
(36)	---	---	---	---	---	---	---	---	---
(40)	---	---	---	---	---	---	---	---	---

8329 WD

REVISIONS

ISSUE	DATE	AUTH. NO.
1	8-3-67	CEC R
2	11-7-67	94638 D

NOTE: REVISION FORMATION MUST ALSO BE REFLECTED ON THE ISSUE CONTROL RECORD, WHICH IS PART OF THIS W.D.

SEE ISSUE CONTROL RECORD FOR COMPLETE LIST OF SHEETS COMPRISING THIS W.D.

SHEET 1 WDP

ACTUAL WIRING DIAGRAM FOR ELECTRICAL SERVICE ASSEMBLY
 324060
 324061
 325918
 326471

APPROVALS

D AND R E OF M
 HAK

E NUMBER

PROD. NO. 8329 WD

DATE 3-20-67

P.O. FILE NO. 15-65AAA

DRAWN TFG CHKD.

ENGD. HAK APPD.

TELETYPE CORPORATION

8329 WD

2

SEE SHEET 1 FOR NOTES

10. COLOR CODE:

BK-BLACK	BL-BLUE
BR-BROWN	W-WHITE
R-RED	Y-YELLOW
P-PURPLE	O-ORANGE
G-GREEN	S-SLATE

11. POWER FACTOR CORRECTION CAPACITORS ARE NOT INCLUDED IN THE 325918 OR 326471 ELECTRICAL SERVICE ASSEMBLIES.

12. 324060 OR 324061 E.S.A.'S ARE INTENDED FOR USE WITH A 50 OR 60 HZ. SYNCHRONOUS MOTOR AND 115 VAC ± 10%, 50 OR 60 HZ. ± 75% SINGLE PHASE POWER. 325918 OR 326471 E.S.A.'S ARE INTENDED FOR USE WITH GOVERNED MOTOR AND 115VAC ± 10%, 50 OR 60 HZ. UNREG., SINGLE PHASE POWER.

13. TERMINALS TD2, TD3 AND TD4 ARE CONNECTED TO THE CLUTCH MAGNET CONTROL CONTACTS WHILE TERMINALS TD5, TD6 AND TD7 ARE CONNECTED TO THE CLUTCH MAGNET ON THE ASSOCIATED KEYBOARD BY MEANS OF 325913 CABLE ASSEMBLY. REFER TO 8328 WD.

14. FOR OPERATION WITHOUT SYNCHRONIZING PULSES, STRAP TERMINAL TD1 TO TD8 (FACTORY INSTALLATION).

FOR STEP PULSE OPERATION REMOVE STRAP AND APPLY +6VOLTS TO TERMINAL TD8 TO ENERGIZE CLUTCH MAGNET AND -6VOLTS (OR OPEN LINE) TO DE-ENERGIZE MAGNET. CONNECT BATTERY COMMON TO TERMINAL TD9.

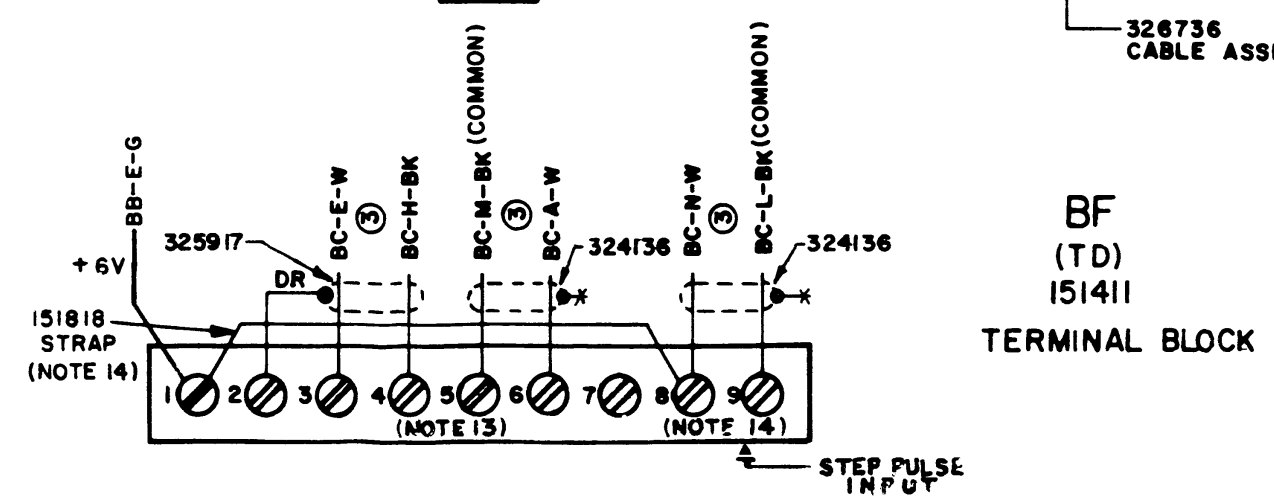
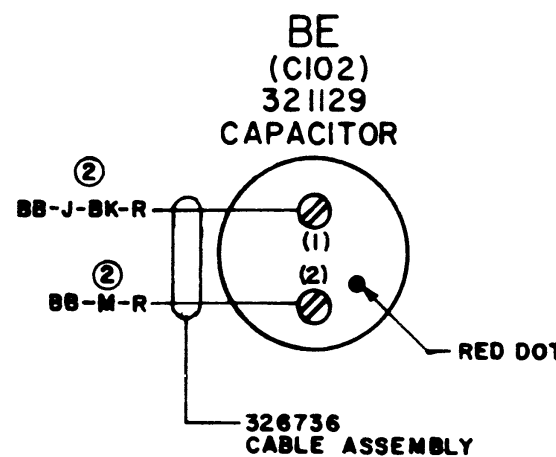
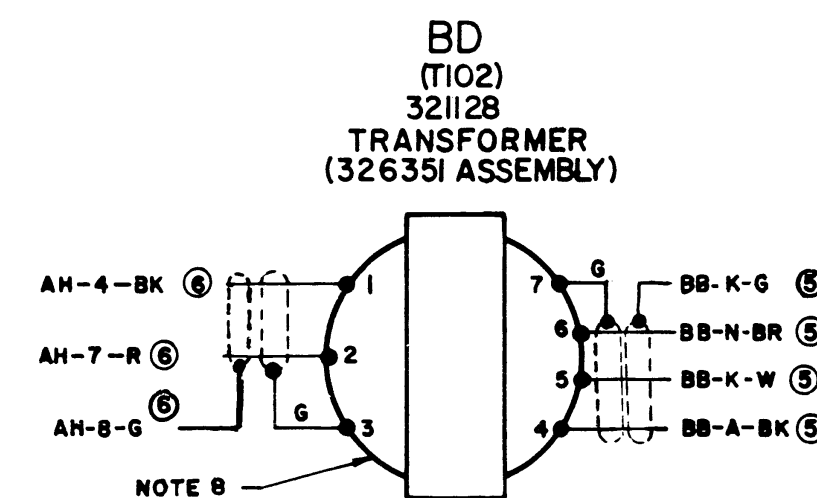
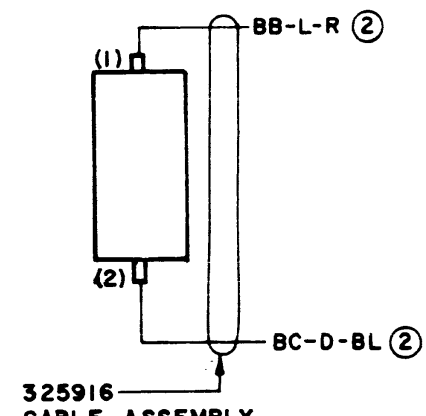
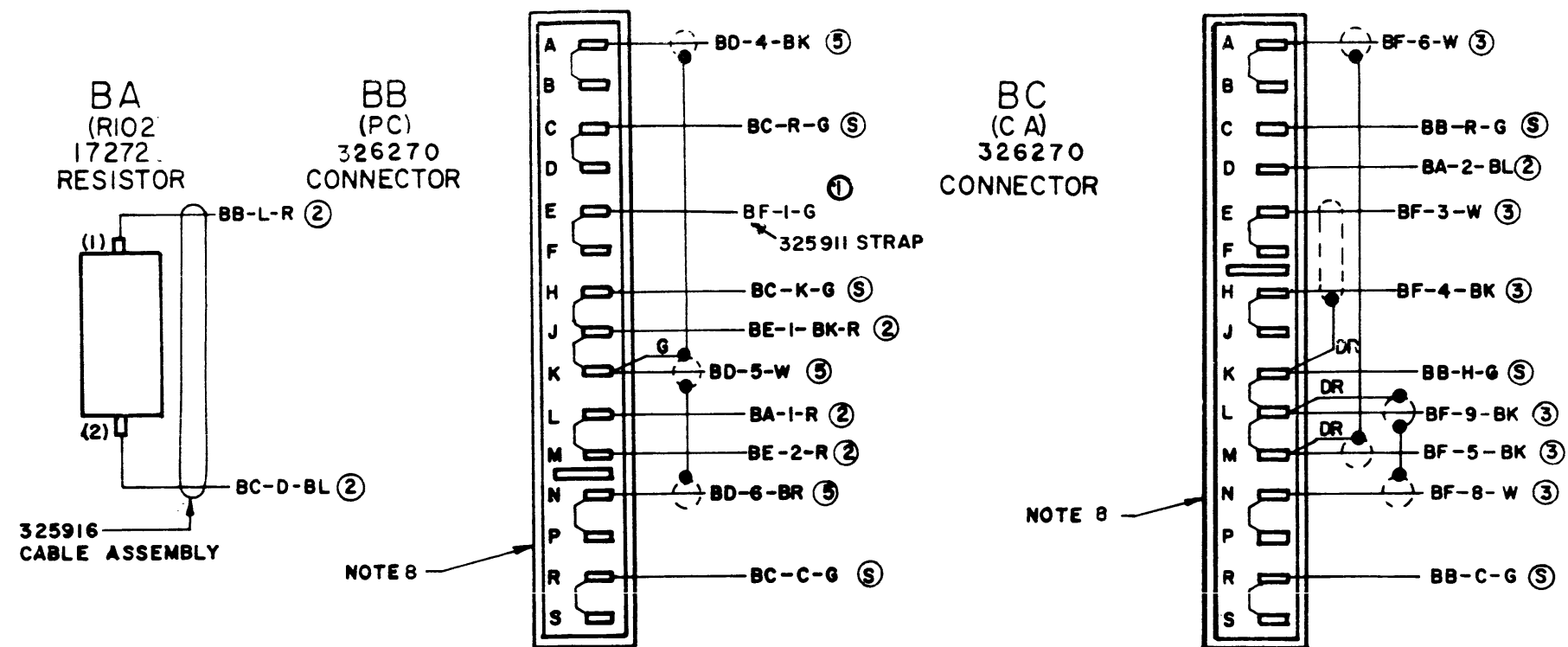
15. CONNECT POWER INPUT SHIELDING, IF SO EQUIPPED, TO TAB. STRAP BETWEEN TAB8 AND TAB9 IS INTENDED FOR OPTIONAL SHIELD GROUNDING. REMOVE IF DESIRED.

16. LEGEND:
DR= SHIELD DRAIN

17. CAUTION: CABINET MUST BE GROUNDED TO PREVENT SHOCK HAZARD. (CHECK GROUNDING BEFORE TURNING POWER ON.)

18. X-DENOTES TAPE END OF SHIELD

COMPONENTS REQUIRED FOR CLUTCH MAGNET DRIVER OPERATION



8329 WD

REVISIONS

ISSUE	DATE	AUTH. NO.
1	8-3-67	18598 R
2	11-7-67	94648 D
3	12-6-67	94848 D

NOTE: REVISION INFORMATION MUST ALSO BE REFLECTED ON THE ISSUE CONTROL RECORD, WHICH IS PART OF THIS W.D.

SEE ISSUE CONTROL RECORD FOR COMPLETE LIST OF SHEETS COMPRISING THIS W.D.

SHEET 2 WDP

ACTUAL WIRING DIAGRAM FOR ELECTRICAL SERVICE ASSEMBLY 324060 324061 325918 326471

APPROVALS

D AND R E OF M
HAK

E NUMBER
PROD NO. 8329 WD

DATE: 3-21-67
P.O. FILE NO 15-65 AAA

DRAWN TFG
ENGD. HAK

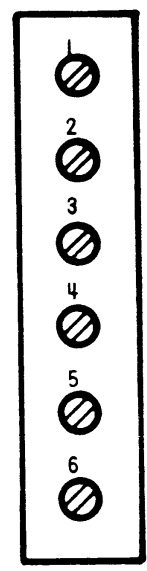
TELETYPE CORPORATION

NOTE: REVISION INFORMATION MUST ALSO BE REFLECTED ON THE ISSUE CONTROL RECORD, WHICH IS PART OF THIS W.D.

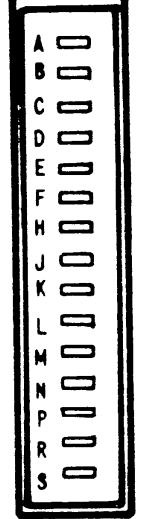
REVISIONS		
ISSUE	DATE	AUTH NO
1	8-3-67	18598-R
2	12-6-67	94845 D

- | NO. | NOTES. |
|----------------------------------|---|
| 1. | ALL VOLTAGES DC UNLESS OTHERWISE SPECIFIED. |
| 2. | TERMINAL DESIGNATIONS ENCLOSED IN PARENTHESIS ARE FOR REF. AND ARE NOT MARKED ON COMPONENT |
| 3. | ALL STRAPPING WIRE 24 AWG BARE 39603RM. USE SLEEVING WHERE REQ. ALL SURFACE WIRE 24 AWG GREEN, 31784RM, UNLESS OTHERWISE SPECIFIED.
① INDICATES 18 AWG STRANDED WIRE
② INDICATES 24 AWG STRANDED WIRE.
③ INDICATES 24 AWG 2 LEAD SINGLE SHIELDED CABLE
⑤ INDICATES 22 AWG, 3 LEAD SINGLE SHIELDED CABLE
⑥ INDICATES 22 AWG, 2 LEAD SINGLE SHIELDED CABLE.
⑨ INDICATES 20 AWG, 3 LEAD SINGLE SHIELDED CABLE. |
| 4. | X INDICATES TO TAPE END TERMINATING POINT. |
| 5. | INDICATES SINGLE SHIELDING |
| 6. | INDICATES DOUBLE SHIELDING |
| 7. | REFERENCE SPEC. FOR TELETYPE CORPORATION EMPLOYEES ONLY: 61,387S |
| 8. | DO NOT INSTALL 325914 AND 325915 CABLE ASSEMBLY AT FACTORY. THESE CABLES SHALL BE INSTALLED ONLY DURING SET ASSEMBLY. REFER TO 8328 WD. |
| 9. | STRAP BETWEEN TERMINALS TB1 AND TB3 CONNECTS PRINTER TO KEYBOARD OUTPUT FOR FULL DUPLEX OPERATION REMOVE STRAP. |
| 10. | WHEN USING EXTERNAL BATTERY: REMOVE TAPE AND TIE BACK THE W AND BK LEADS THAT ARE CONNECTED TO TERMINALS TB5 & TB6 WHICH ARE ALSO CONNECTED TO PA-E(+7V) AND PA-C(-7V). APPLY BATTERY (6.6 TO 7.8V) TO TB5 AND BATTERY TO TB6. IF ± 6V IS SUPPLIED, THE KEYSER OUTPUT WILL DROP TO ± 4.5V. |
| SEE SHEET 2 FOR ADDITIONAL NOTES | |

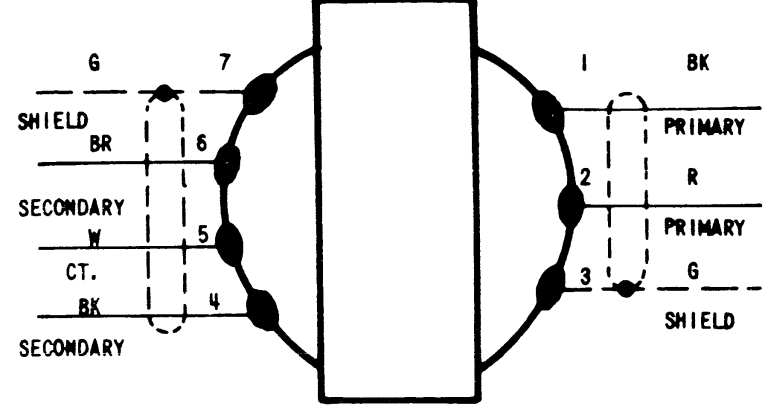
TB,TC
158250
TERMINAL BOARD



KA,PA,SA
326270
CONNECTOR

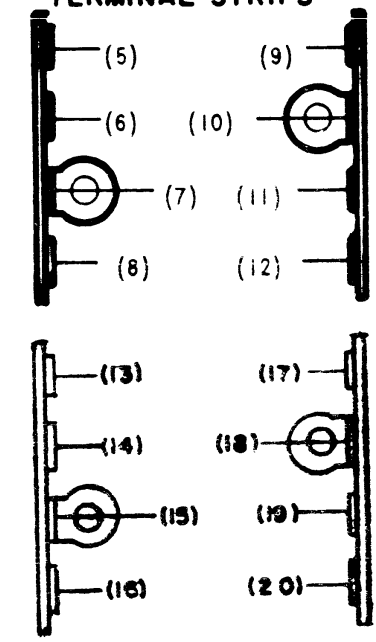


T1
321128
TRANSFORMER



TERMINAL SIDE

TS101
321207
TERMINAL STRIPS



RI01
172726
RESISTOR



155751 TUBING
(2 PLS.)

SEE ISSUE CONTROL RECORD FOR COMPLETE LIST OF SHEETS COMPRISING THIS W.D.

SHEET 1 WDP

ACTUAL WIRING DIAGRAM FOR 325919 CONTAINER ASSEMBLY (SIGNAL)

APPROVALS

D AND R	E OF M
<i>HAK</i>	<i>[Signature]</i>
E NUMBER	
PROD NO. 8330WD	
DATE 4-7-67	
P.O. FILE NO 15-65AAA	
DRAWN TFG	CHKD <i>[Signature]</i>
ENGD. HAK	APPR. <i>[Signature]</i>

TELETYPE CORPORATION

REVISIONS

ISSUE	DATE	AUTH. NO.
1	8-3-67	18598-R
2	12-6-67	94845 D
3	4-11-68	95572
4	4-25-69	98545

NOTE: REVISION INFORMATION MUST ALSO BE REFLECTED ON THE ISSUE CONTROL RECORD, WHICH IS PART OF THIS W.D.

SEE ISSUE CONTROL RECORD FOR COMPLETE LIST OF SHEETS COMPRISING THIS W.D.

SHEET 2 WDP

ACTUAL
WIRING DIAGRAM
FOR
325919
CONTAINER
ASSEMBLY
(SIGNAL)

APPROVALS

D AND R	E OF M
---------	--------


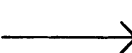
E-NUMBER
PROD. NO. 8330WD

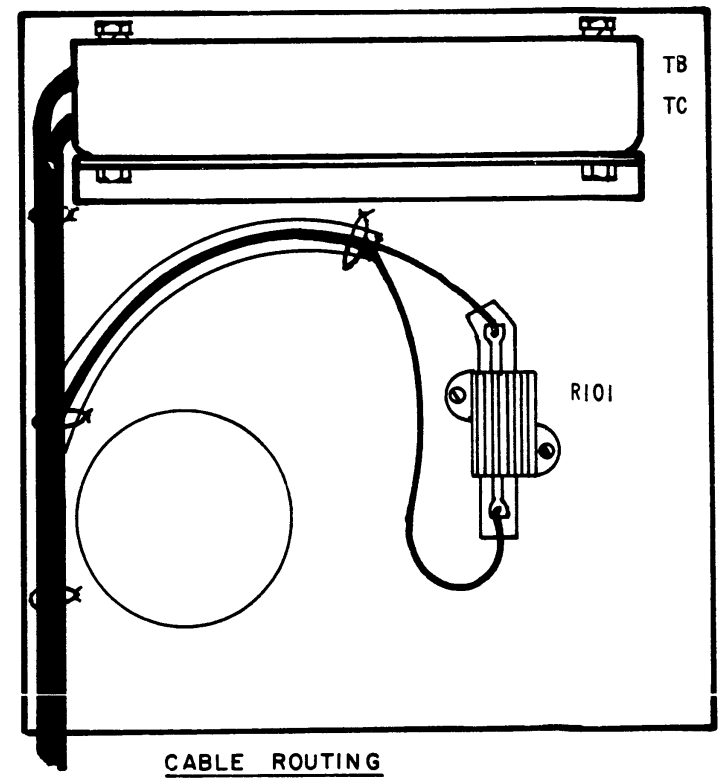
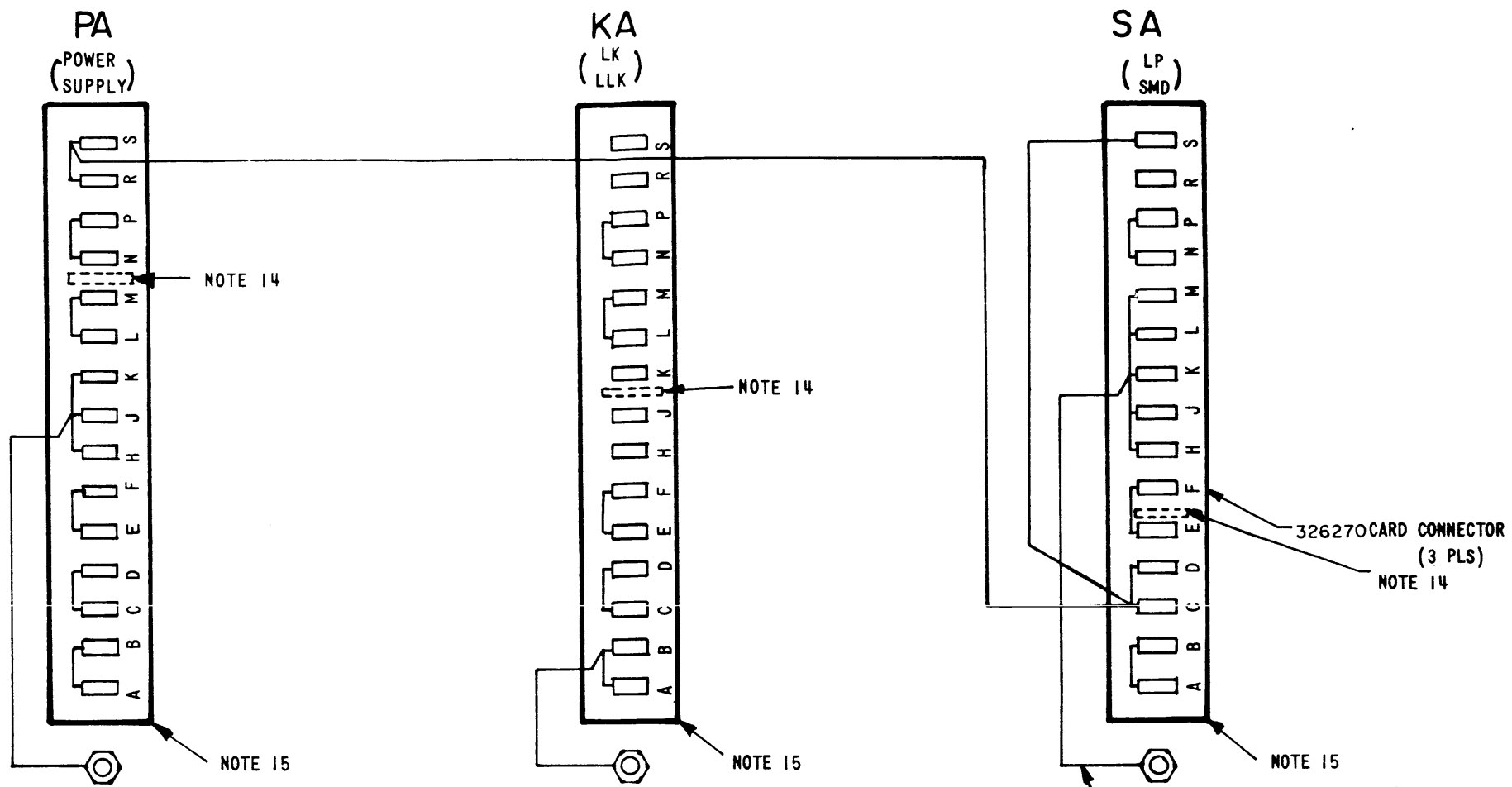
DATE: 4-11-67
P.D. FILE NO. 15-65AAA

DRAWN TFG CHK [Signature]
ENGD. HAK APPR [Signature]

TELETYPE CORPORATION

FOR ADDITIONAL NOTES SEE SHEET 1.

- NO. NOTES
11. WIRE COLOR CODE:
BK - BLACK BL - BLUE
BR - BROWN R - RED
W - WHITE Y - YELLOW
P - PURPLE O - ORANGE
G - GREEN S - SLATE
 12. REFER TO 8331WD AND 8332 WD SCHEMATIC DIAGRAM.
 13.  INDICATES GROUNDING NUT
 14. ADD POLARIZING KEY TO CONNECTOR IN POSITION INDICATED.
 15. CARD CONNECTOR VIEWED FROM WIRING SIDE.
 16.  INDICATES SPLICE & COVER WITH HEAT SHRINK



NO.	NOTES	OTHER END TERMINATION	COMP.	CONN.	CONN.	CLAMP	CLAMP	TERM. BOARD	TERM. BOARD	CONN.	CONN.	CONN.	XFMR	CAP	RES.	OTHER END TERMINATION		
			DESIG.	PI03	PI01	CLIO3	CLIO1	TC	TB	SA	KA	PA					T1	C8
I.	REFER TO SHEETS 1 & 2 FOR NOTES.																	
		SHT.	COMP. DESIG. / TERM	COMP. NO.	324141	324141	321238	321238	158250	158250	326270	326270	326270	321128	321129	172726	COMP. DESIG. / TERM	SHT.
									BOTTOM	TOP								

8330 WD

REVISIONS		
ISSUE	DATE	AUTH. NO.
1	8-3-67	18598-R
2	11-7-67	94848-D
3	12-6-67	94845-D

NOTE: REVISION INFORMATION MUST ALSO BE REFLECTED ON THE ISSUE CONTROL RECORD WHICH IS PART OF THIS W.D.

SEE ISSUE CONTROL RECORD FOR COMPLETE LIST OF SHEETS COMPRISING THIS W.D.

SHEET 3 WDP

ACTUAL WIRING DIAGRAM FOR 325919 CONTAINER ASSEMBLY (SIGNAL)

APPROVALS
 R AND D OF M
[Signature] *[Signature]*

W.D. NO. 8330
 DATE 3-14-67
 R.D. FILE NO. 15-65AAA
 DRAWN TFG CHKD *[Signature]*
 ENGD. HAK APPD *[Signature]*

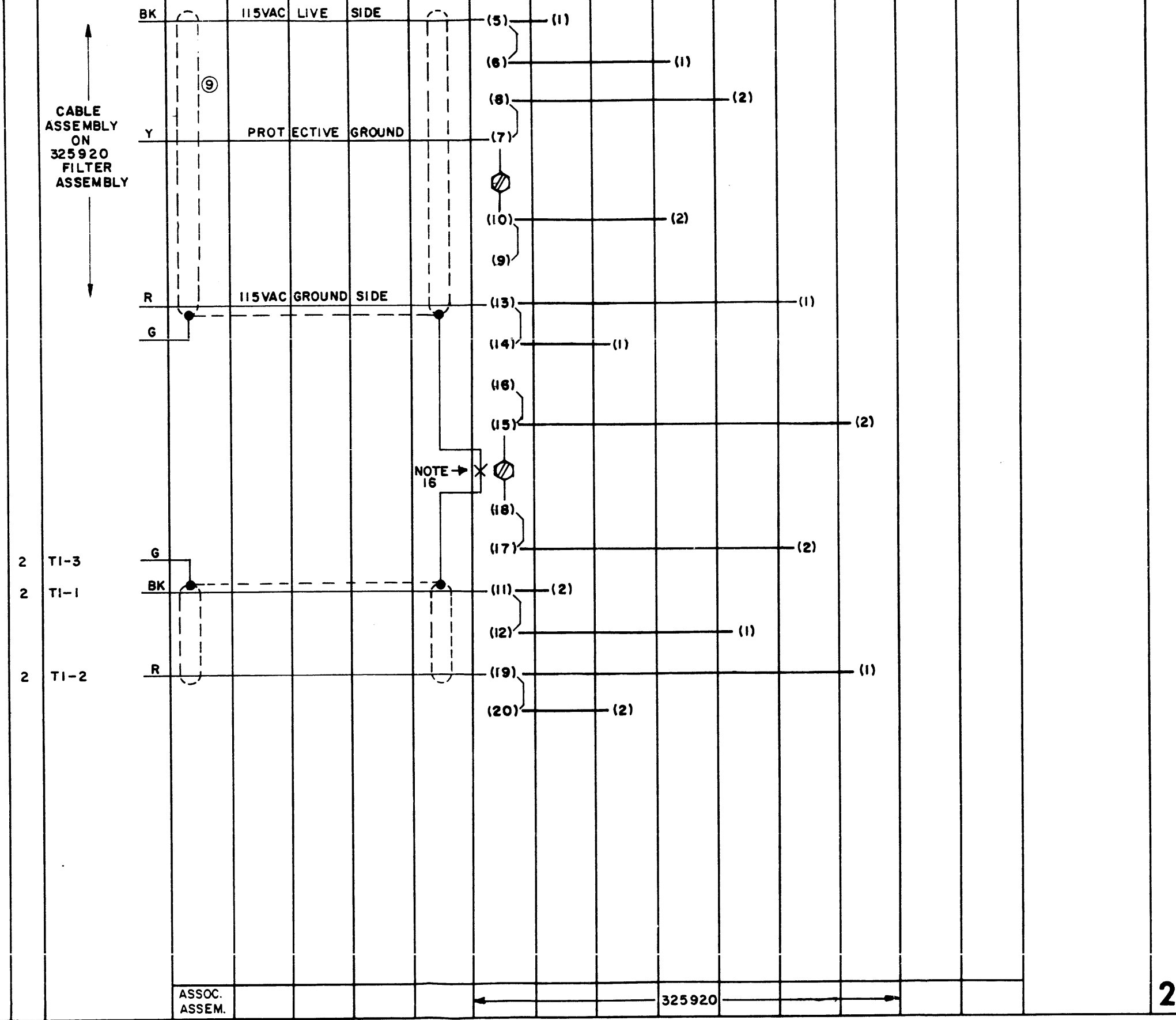
TELETYPE CORPORATION

3 8330 WD

NO.	NOTES	OTHER END TERMINATION	COMP.	TERM. STRIP	CHOKES	CAP.	CAP.	CAP.	CAP.	OTHER END TERMINATION
1.	REFER TO SHEETS 1 & 2 FOR NOTES.		COMP. DESIG.	TS101	L1 L2	C9 C10	C11 C12			
		SHT.	COMP. DESIG. / TERM	COMP. NO.	321207	321133 321133	327444 327444	327444 327444		COMP. DESIG. / TERM

REVISIONS

ISSUE	DATE	AUTH. NO.
1	8-3-67	18598-R
2	11-7-67	94648-D



NOTE: REVISION INFORMATION MUST ALSO BE REFLECTED ON THE ISSUE CONTROL RECORD, WHICH IS PART OF THIS W.D.

SEE ISSUE CONTROL RECORD FOR COMPLETE LIST OF SHEETS COMPRISING THIS W.D.

WDP

SHEET 4

ACTUAL WIRING DIAGRAM FOR 325919 CONTAINER ASSEMBLY (SIGNAL)

APPROVALS

R AND D	E OF M
<i>HAK</i>	<i>[Signature]</i>
W.D. NO. 8330	
DATE 3-14-67	
R.D. FILE NO. 15-65AAA	
DRAWN TFG	CHKD <i>[Signature]</i>
ENG. HAK	APPD. <i>[Signature]</i>

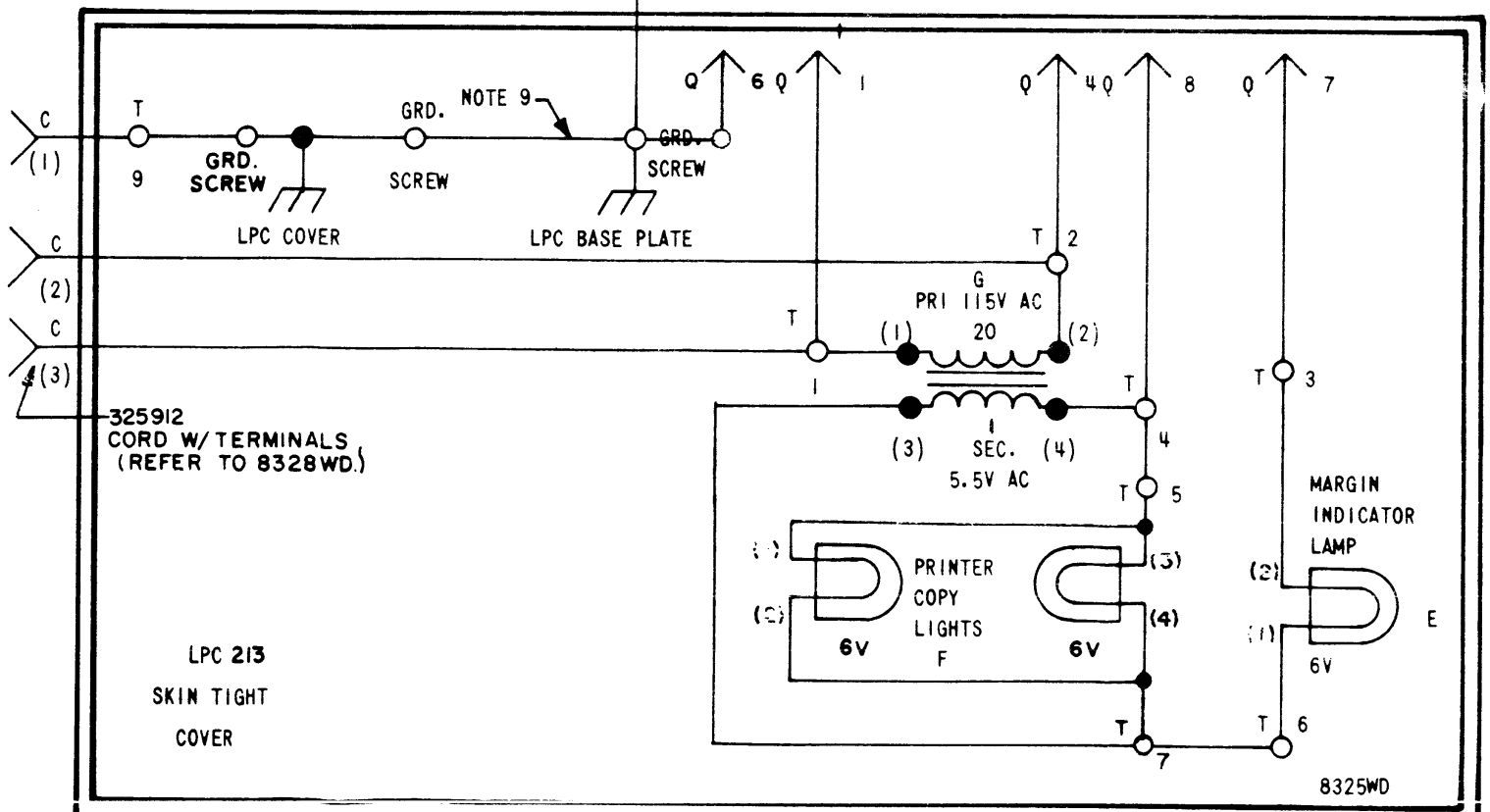
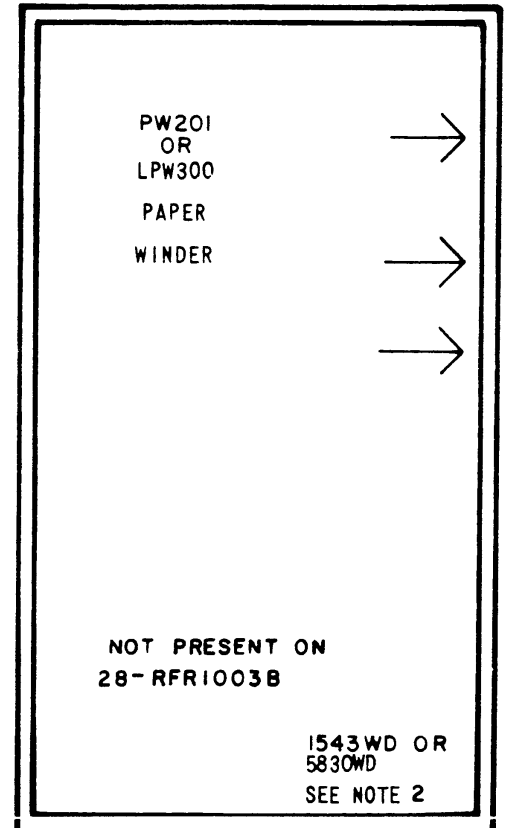
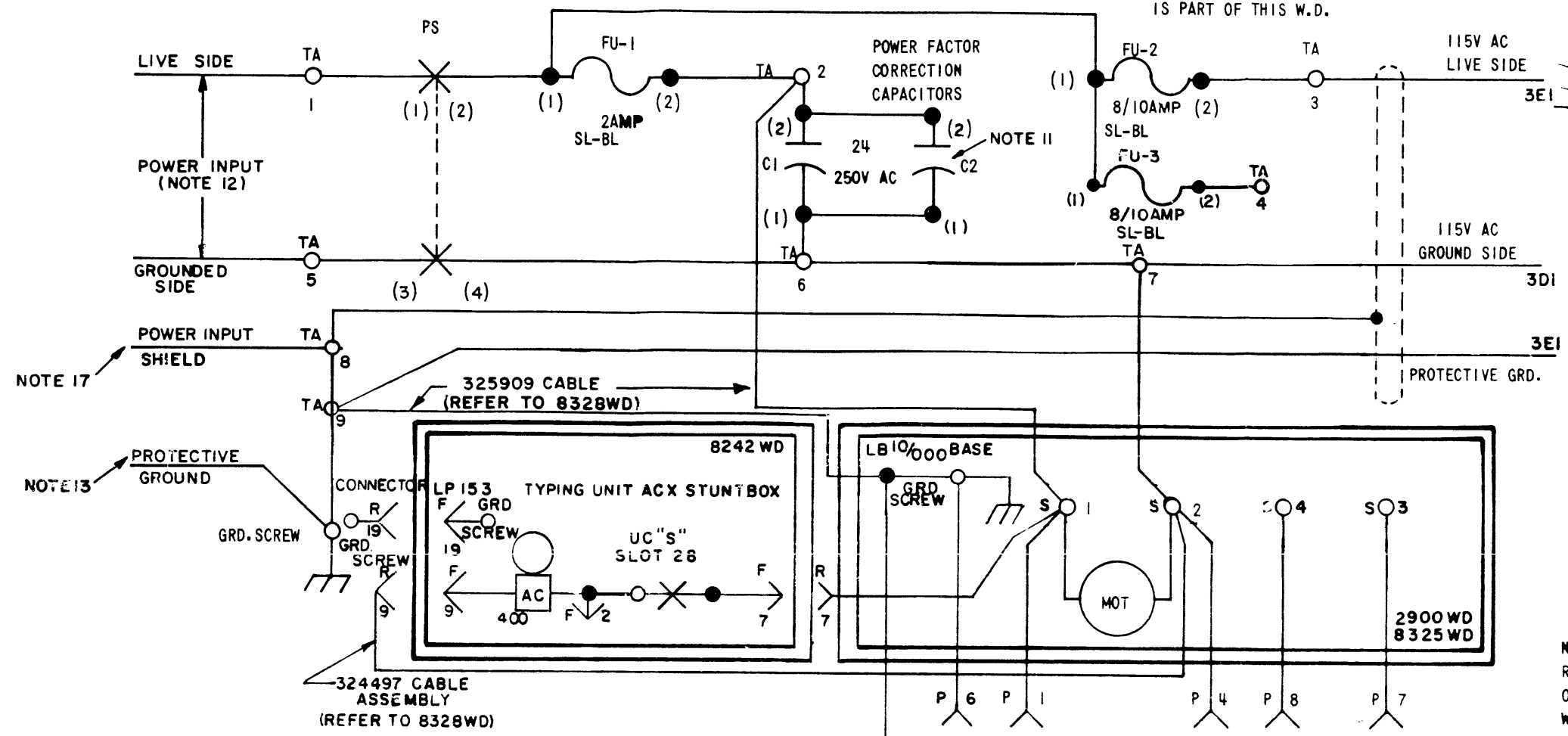
TELETYPE CORPORATION

REVISIONS

ISSUE	DATE	AUTH. NO.
1	7-13-67	10598 F
2	11-7-67	44648-D
3	2-26-68	93172

NOTE: REVISION INFORMATION MUST ALSO BE REFLECTED ON THE ISSUE CONTROL RECORD, WHICH IS PART OF THIS W.D.

POWER CIRCUITS



- NO. NOTES
- ALL RESISTANCE VALUES IN OHMS, ALL CAPACITANCE VALUES IN MICROFARADS UNLESS OTHERWISE SPECIFIED.
 - 324060 ELECTRICAL SERVICE ASSEMBLY IS ALSO PART OF 324056 MODIFICATION KIT WHICH CONVERTS EXISTING INSTALLATIONS (TT-306, TT-306A) TO 28-RFR1000B SET EXCEPT FOR THE PAPER WINDER. TT-306 HAS PW201. TT-306A HAS LPW300. LPW300 IS A COMPONENT OF EITHER THE 28-RFR1000B OR 28-RFR1001B SET.
 - INDICATES FEMALE TERMINAL
 - INDICATES MALE TERMINAL
 - INDICATES SINGLE SHIELDING
 - INDICATES DOUBLE SHIELDING
 - REFER TO 8329WD FOR ACTUAL WIRING DIAGRAM.
 - SL-BL INDICATES SLOW BLOW.
 - REFERENCE SPEC. FOR TELETYPE CORPORATION EMPLOYEES ONLY, 61,387S
 - TERMINAL DESIGNATIONS ENCLOSED IN PARENTHESIS ARE FOR REFERENCE AND ARE NOT MARKED ON COMPONENT.
 - 325910 STRAP ASSEMBLY CONNECTED BETWEEN LPC213 BASE PLATE AND LPC213 COVER DURING INSTALLATION.
 - INDICATES CIRCUIT COMMON.
 - POWER FACTOR CORRECTION CAPACITORS ARE NOT INCLUDED IN THE 326471 ELECTRICAL SERVICE ASSEMBLY.
 - SEE SHEET 2 FOR ADDITIONAL NOTES

NOTE: SEE ISSUE CONTROL RECORD FOR COMPLETE LIST OF SHEETS COMPRISING THIS WD.
SHEET 1 WDP

SCHEMATIC WIRING DIAGRAM FOR
ELECTRICAL SERVICE ASSEMBLY 324060 AS PART OF 28-RFR1000B OR 326471 AS PART OF 28-RFR1001B, 1003B RACK-MOUNTED RECEIVE-ONLY PRINTER SET

APPROVALS

D AND R	E OF M
<i>HAK</i>	<i>[Signature]</i>
E NUMBER	
PROD NO. 8331WD	
DATE 4-17-67	
P O FILE NO 15-65AAA	
DRAWN TFG	CHKD <i>[Signature]</i>
ENGD. HAK	APPD <i>[Signature]</i>

TELETYPE CORPORATION

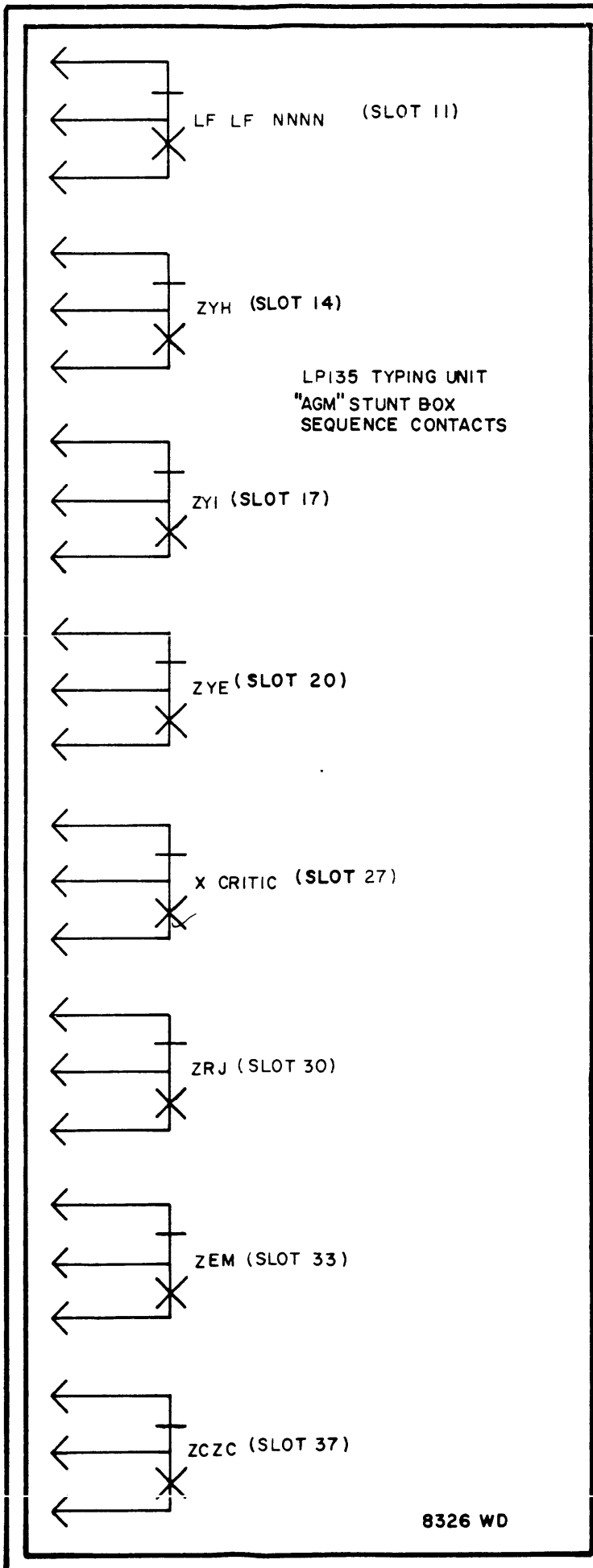
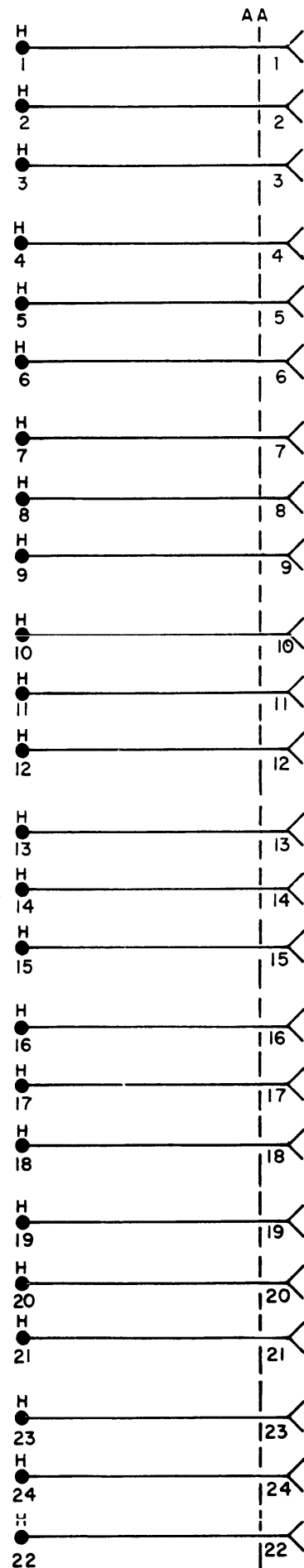
SEE SHEETS 1 FOR ADDITIONAL NOTES

- | NO | NOTES |
|-----|--|
| 12. | 324060 ELECTRICAL SERVICE ASSEM. IS INTENDED FOR USE WITH A 50 OR 60 Hz. SYNCHRONOUS MOTOR AND 115V AC ± 10%, 50 OR 60 Hz. ± 7.5% SINGLE PHASE POWER.

326471 ELECTRICAL SERVICE ASSEM. IS INTENDED FOR USE WITH GOVERNED MOTORS AND 115V AC ± 10%, 50 OR 60 Hz. UNREGULATED SINGLE PHASE POWER. |
| 13. | CAUTION: CABINET MUST BE GROUNDED TO PREVENT SHOCK HAZARD. (CHECK GROUNDING BEFORE TURNING POWER ON.) |
| 14. | 303142 KEYSER IS NOT INCLUDED IN THE 28-1000B, 28-1001 B SET, OR 28-1003B. TERMINAL TB5 AND TB6 ARE USED TO PROVIDE EXTERNAL BATTERY TO THE KEYSER IN SEND-RECEIVE SETS. |
| 15. | TB2 AND TB4 ARE THE NORMAL SELECTOR MAGNET DRIVER INPUT. (+6V MARK, -6V SPACE) TBI IS AN AUXILIARY INPUT USED ONLY IN A SEND-RECEIVE SET. |
| 16. | 80HMS (MAX) PRIMARY RESISTANCE
100HMS (MAX) SECONDARY RESISTANCE TO CENTER TAP. |
| 17. | CONNECT POWER INPUT SHIELDING, IF SO EQUIPPED, TO TAB8

STRAP BETWEEN TAB8 AND TAB9 IS INTENDED FOR OPTIONAL SHIELD GROUNDING. REMOVE IF DESIRED. |
| 18. | <p>----- INDICATES OUTER SHIELD</p> <p>----- INDICATES INNER SHIELD</p> <p>✕ INDICATES SPLICE & TAPE</p> |

325908 CABLE
(REFER TO 8328 WD)



8326 WD

MISCELLANEOUS CIRCUITS
NOT PRESENT ON 28-RFR 1003B

8331 WD

REVISIONS

ISSUE	DATE	AUTH. NO.
1	7-13-67	18598 R
2	2-26-68	95172
3	3-17-69	96947

NOTE: REVISION INFORMATION MUST ALSO BE REFLECTED ON THE ISSUE CONTROL RECORD WHICH IS PART OF THIS W.D.

SEE ISSUE CONTROL RECORD FOR COMPLETE LIST OF SHEETS COMPRISING THIS W.D.

SHEET 2

WOP

SCHEMATIC WIRING DIAGRAM FOR

ELECTRICAL SERVICE ASSEMBLY
324060 AS PART OF 28-RFR1000B OR 326471 AS PART OF 28-RFR 1001B, 1003B
RACK-MOUNTED RECEIVE ONLY PRINTER SET

APPROVALS

D AND R <i>HAK</i>	E OF M <i>[Signature]</i>
-----------------------	------------------------------

E NUMBER

PROD. NO. 8331 WD

DATE: 4-18-67

P.O. FILE NO 15-65 AAA

DRAWN TFG

ENGD. HAK

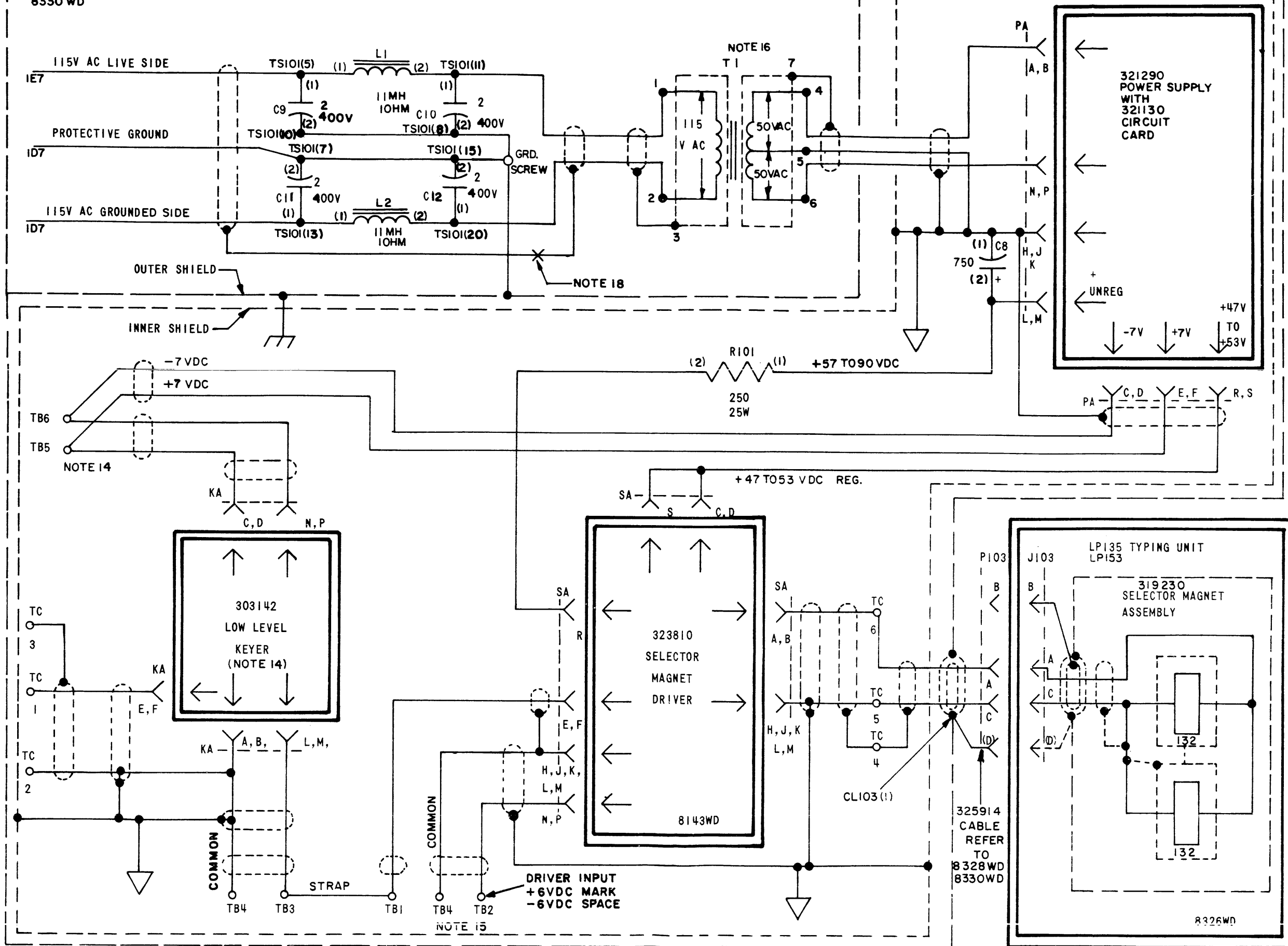
TELETYPE CORPORATION

8331 WD

SEE SHEETS 1 AND 2 FOR NOTES

325919 CONTAINER ASSEMBLY
8330 WD

SIGNAL CIRCUITS



8331 WD

REVISIONS

ISSUE	DATE	AUTH NO
1	7-13-67	18598 R
2	12-6-67	94845 D
3	2-26-68	95172

NOTE: REVISION INFORMATION MUST ALSO BE REFLECTED ON THE ISSUE CONTROL RECORD, WHICH IS PART OF THIS W.D.

SEE ISSUE CONTROL RECORD FOR COMPLETE LIST OF SHEETS COMPRISING THIS W.D.

SHEET 3

WDP

SCHEMATIC WIRING DIAGRAM FOR ELECTRICAL SERVICE ASSEMBLY 324060 AS PART OF 28-RFR1000B OR 326471 AS PART OF 28-RFR1001B,1003B RACK-MOUNTED RECEIVE-ONLY PRINTER SET

APPROVALS

D AND R	E OF M
E NUMBER	
PROD. NO. 8331WD	
DATE: 4-17-67	
P.D FILE NO. 15-65AAA	
DRAWN TFG	CHKD
ENGD. HAK	APPC


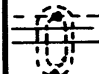
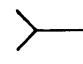
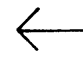

TELETYPE CORPORATION

8331 WD

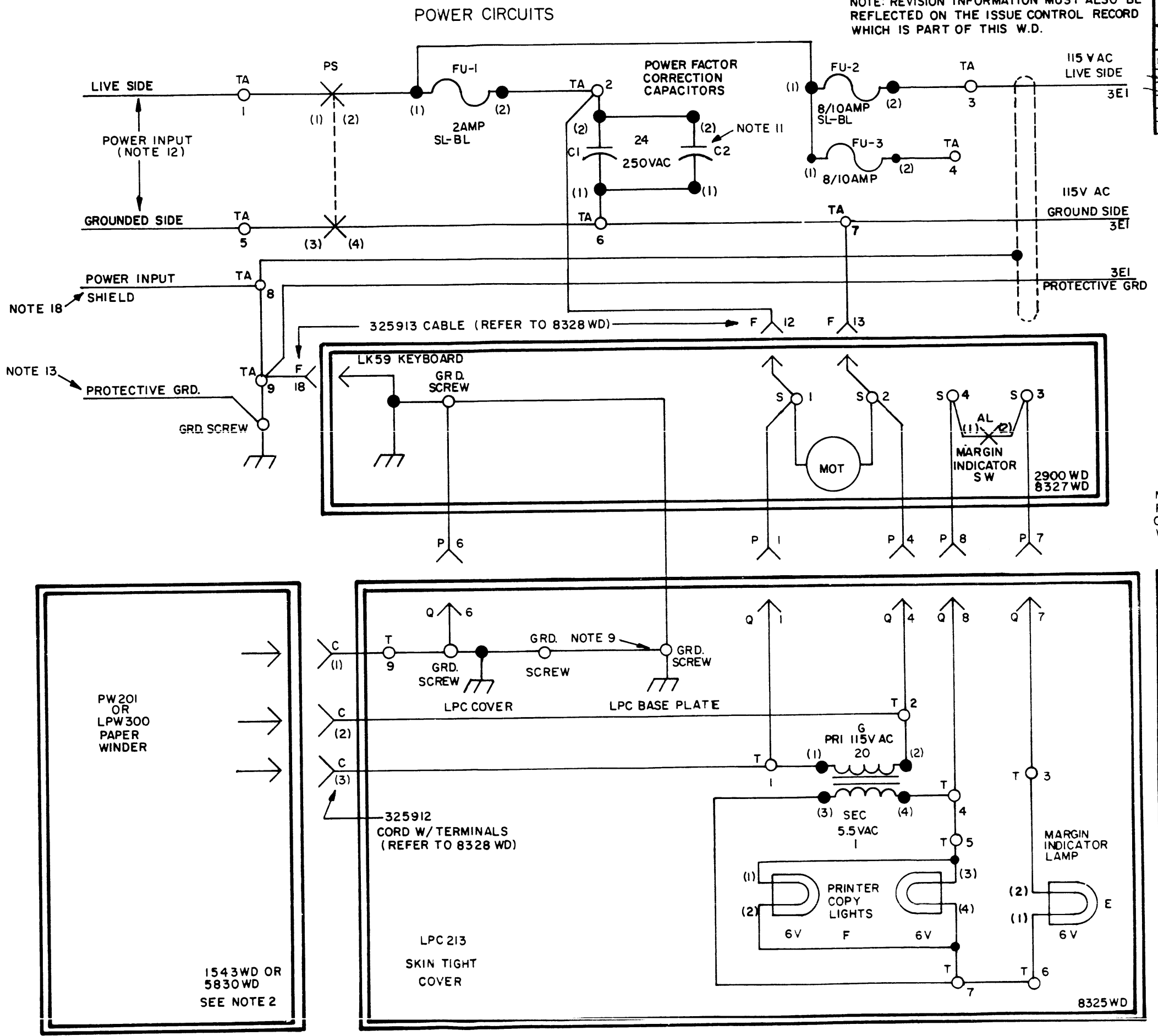
REVISIONS

ISSUE	DATE	AUTH. NO.
1	8-2-67	18615-R
2	11-7-67	94648-D

NOTE: REVISION INFORMATION MUST ALSO BE REFLECTED ON THE ISSUE CONTROL RECORD WHICH IS PART OF THIS W.D.

- NO. NOTES
- ALL RESISTANCE VALUES IN OHMS, ALL CAPACITANCE VALUES IN MICROFARADS UNLESS OTHERWISE SPECIFIED.
 - 324061 E.S.A. IS ALSO PART OF 324057 MOD. KIT WHICH CONVERTS (TT-307, TT-307A) TO 28-RFK2000B SET EXCEPT FOR THE PAPER WINDER. TT-307 HAS PW201. TT-307A HAS LPW300. LPW300 IS A COMPONENT OF EITHER THE 28-RFK2000B OR 28-RFK2001B SET.
 -  INDICATES SINGLE SHIELDING
 INDICATES DOUBLE SHIELDING
 - REFER TO 8329 WD FOR ACTUAL WIRING DIAGRAM.
 - SL-BL INDICATES SLOW BLOW.
 - REFERENCE SPEC. FOR TELETYPE CORPORATION EMPLOYEES ONLY: 61,387S
 - TERMINAL DESIGNATIONS ENCLOSED IN PARENTHESIS ARE FOR REFERENCE AND ARE NOT MARKED ON COMPONENT.
 -  INDICATES FEMALE TERMINAL
 INDICATES MALE TERMINAL
 - 325910 STRAP ASSEMBLY CONNECTED BETWEEN LPC213 BASE PLATE AND LPC213 COVER DURING INSTALLATION
 -  INDICATES CIRCUIT COMMON.
 - POWER FACTOR CORRECTION CAPACITORS ARE NOT INCLUDED IN THE 325918 ELECTRICAL SERVICE ASSEM
 - 324061 E.S.A. IS INTENDED FOR USE WITH A 50 OR 60 HZ SYNCHRONOUS MOTOR AND 115V AC $\pm 10\%$, 50 OR 60 HZ $\pm .75\%$ SINGLE PHASE POWER.

325918 E.S.A. IS INTENDED FOR USE WITH GOVERNED MOTORS AND 115V AC $\pm 10\%$, 50 OR 60 HZ UNREGULATED SINGLE PHASE POWER.
 - SEE SHEET 2 FOR ADDITIONAL NOTES



NOTE: SEE ISSUE CONTROL RECORD FOR COMPLETE LIST OF SHEETS COMPRISING THIS W.D.

SHEET 1 WDP

SCHEMATIC WIRING DIAGRAM FOR ELECTRICAL SERVICE ASSEMBLY 324061 AS PART OF 28-RFK2000B OR 325918 AS PART OF 28-RFK2001B RACK-MOUNTED SEND-RECEIVE PRINTER SET

APPROVALS

D AND R	E OF M
E-NUMBER	
PROD. NO. 8332 WD	
DATE: 4-28-67	
P.D. FILE NO. 15-65 AAA	
DRAWN TFG	CHKD [Signature]
ENGD. HAK	APPD. [Signature]

TELETYPE CORPORATION

REVISIONS

ISSUE	DATE	AUTH. NO.
1	8-2-67	18615 R
2	12-6-67	94845 D

NOTE REVISION INFORMATION MUST ALSO BE REFLECTED ON THE ISSUE CONTROL RECORD WHICH IS PART OF THIS WD.

SEE ISSUE CONTROL RECORD FOR COMPLETE LIST OF SHEETS COMPRISING THIS W.D.

SHEET 2

WDP

SCHEMATIC WIRING DIAGRAM FOR

ELECTRICAL SERVICE ASSEMBLY
324061 AS PART OF 28-RFK2000B
OR
325918 AS PART OF 28-RFK2001B
RACK-MOUNTED SEND-RECEIVE PRINTER SET

APPROVALS

D AND R. E OF M

[Signatures]

E-NUMBER

PROD. NO. 8332 WD

DATE: 5-1-67

P.D. FILE NO. 15-65 AAA

DRAWN T.F.G. CHKD *[Signature]*

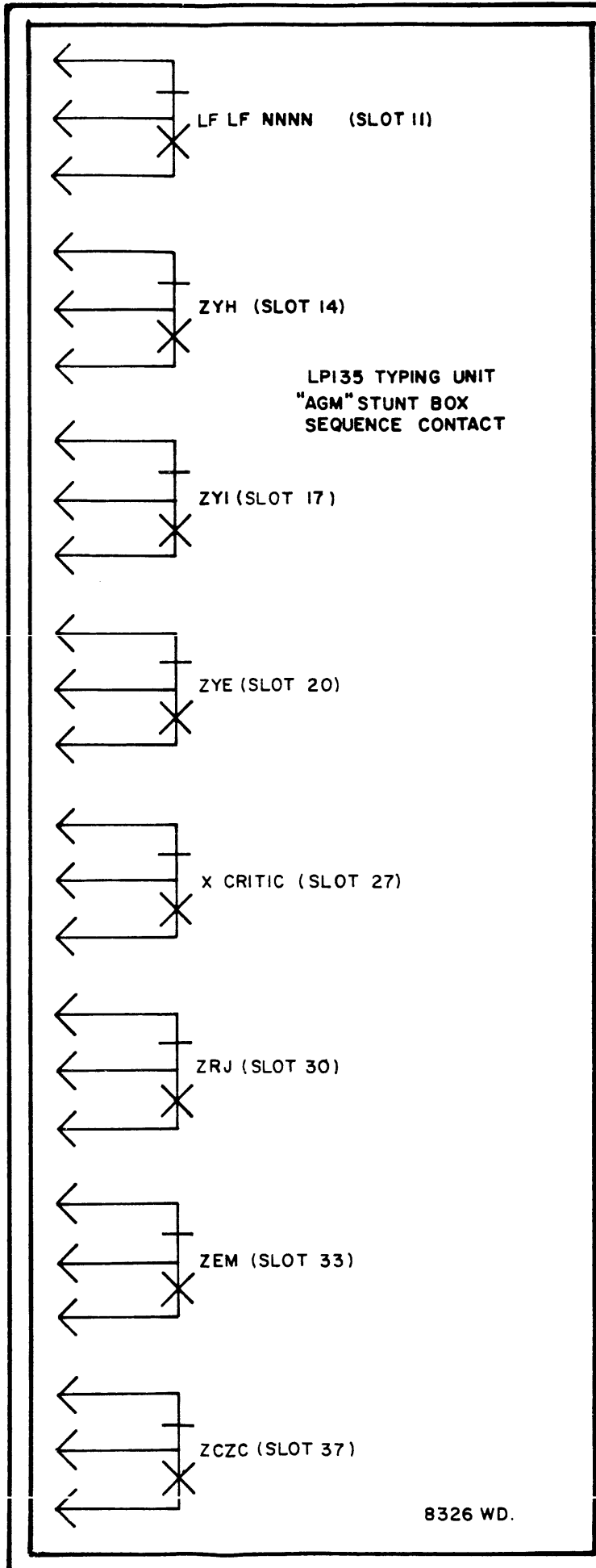
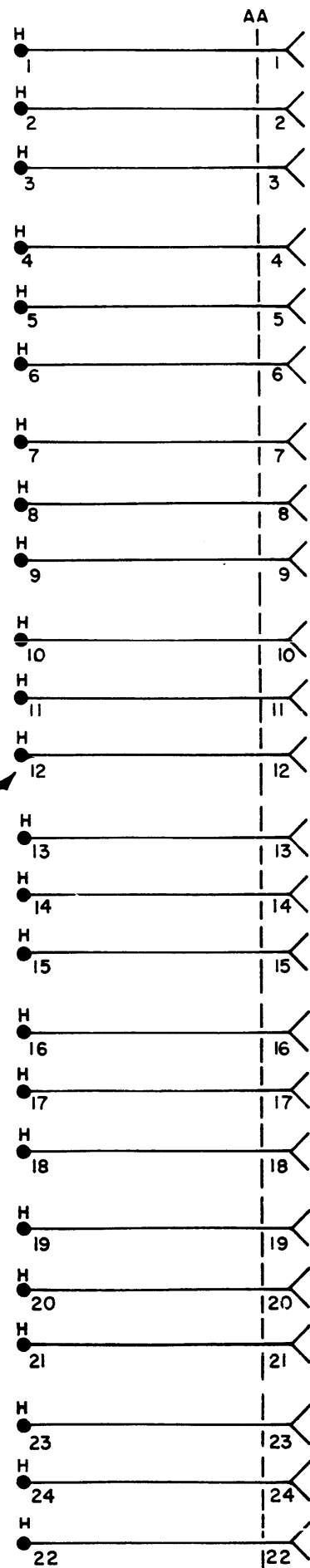
ENGD. H.A.K. APPD. *[Signature]*

TELETYPE CORPORATION

SEE SHEET 1 FOR NOTES

NO	NOTES
13.	CAUTION: CABINET MUST BE GROUNDED TO PREVENT SHOCK HAZARD. (CHECK GROUNDING BEFORE TURNING POWER ON.)
14.	TERMINALS TB5 AND TB6 ARE USED TO PROVIDE EXTERNAL BATTERY TO THE KEYS IN SEND-RECEIVE SETS. AS FOLLOWS: REMOVE TAPE AND TIE BACK THE LEADS CONNECTED TO TB5 AND TB6 WHICH EMANATE FROM THE 321130 CIRCUIT CARD. APPLY +BATTERY (6.6 TO 7.8V) TO TB5 AND BATTERY TO TB6. IF +6V IS SUPPLIED, KEYS OUTPUT WILL DROP TO ±4.5V.
15.	TB2 AND TB4 ARE THE NORMAL SELECTOR MAGNET DRIVER INPUT. (+6V MARK, -6V SPACE) TBI IS AN AUXILIARY INPUT TO THE SELECTOR MAGNET DRIVER. AS SHIPPED, TB3 IS STRAPPED TO TBI SO THAT THAT THE LP WILL MONITOR TRANSMISSION FROM THE KEYS. FOR FULL DUPLEX OPERATION REMOVE THIS STRAP.
16.	8 OHMS (MAX) PRIMARY RESISTANCE. 10 OHMS (MAX) SECONDARY RESISTANCE TO CENTER TAP.
17.	FOR OPERATION WITHOUT SYNCHRONIZING PULSE, STRAP TERMINAL TDI TO TDB. (FACTORY INSTALLATION) FOR STEP PULSE OPERATION REMOVE STRAP AND APPLY +6VOLTS TO TERMINAL TDB TO ENERGIZE CLUTCH MAGNET AND -6VOLTS (OR OPEN LINE) TO DE-ENERGIZE MAGNET. CONNECT BATTERY COMMON TO TERM. TD9.
18.	CONNECT POWER INPUT SHIELDING, IF SO EQUIPPED, TO TAB. STRAP BETWEEN TAB AND TA9 IS INTENDED FOR OPTIONAL SHIELD GROUNDING REMOVE IF DESIRED.
19.	----- INDICATES OUTER SHIELD ----- INDICATES INNER SHIELD X INDICATES SPLICE & TAPE
20.	TB3 & TB4 IS THE KEYS OUTPUT + 6VDC MARK - 6VDC SPACE

325908 CABLE (REFER TO 8328WD)



SEE SHEETS 1 AND 2 FOR NOTES

325919 CONTAINER ASSEMBLY
8330 WD

SIGNAL CIRCUITS

8332 WD

REVISIONS

ISSUE	DATE	AUTH NO
1	8-2-67	18615-R
2	12-6-67	94845-D

NOTE: REVISION INFORMATION MUST ALSO BE REFLECTED ON THE ISSUE CONTROL RECORD, WHICH IS PART OF THIS W.D.

SEE ISSUE CONTROL RECORD FOR COMPLETE LIST OF SHEETS COMPRISING THIS W.D.

SHEET 3 WDP

SCHEMATIC WIRING DIAGRAM FOR ELECTRICAL SERVICE ASSEMBLY 324061 AS PART OF 28-RFK2000B OR 325918 AS PART OF 28-RFK2001B RACK-MOUNTED SEND-RECEIVE PRINTER SET

APPROVALS

D AND R E OF M

E NUMBER

PROD NO 8332 WD

DATE 4-17-67

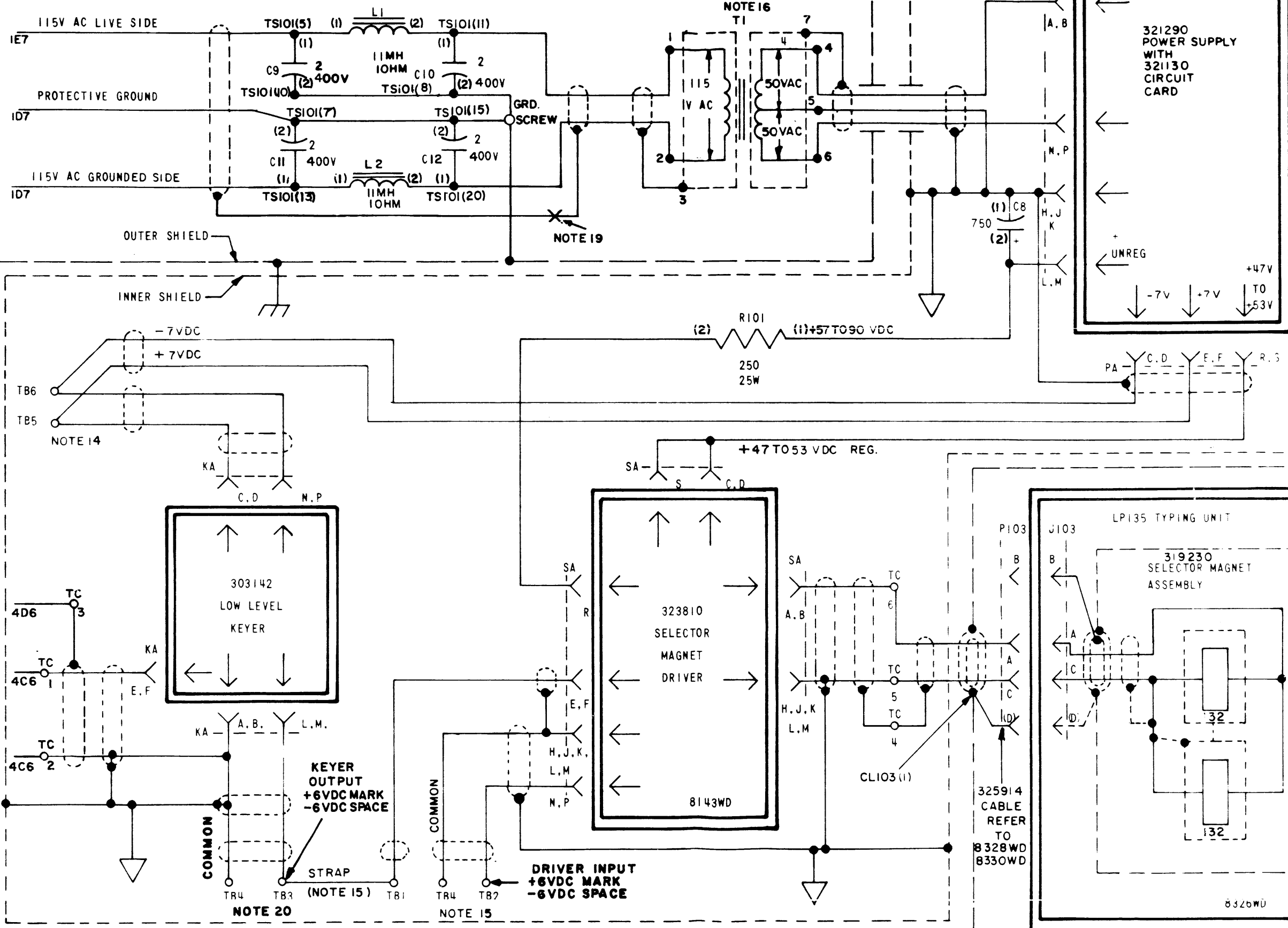
P D FILE NO 15-65AAA

DRAWN TFG CHKD [Signature]

ENGD HAK APPD [Signature]

TELETYPE CORPORATION

8332 WD



115V AC LIVE SIDE
IE7
PROTECTIVE GROUND
ID7
115V AC GROUNDED SIDE
ID7

OUTER SHIELD
INNER SHIELD
TB6
TB5
NOTE 14
KA
C.D
N.P.

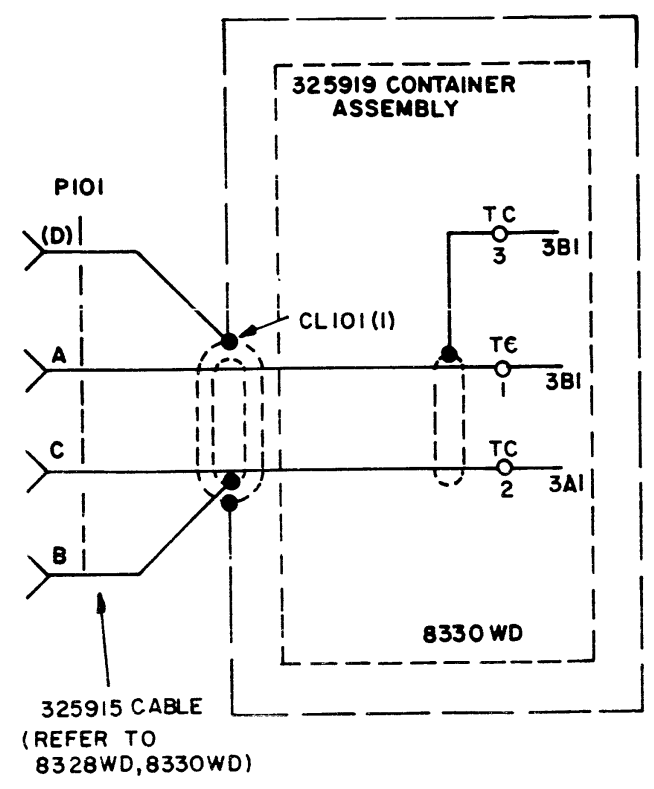
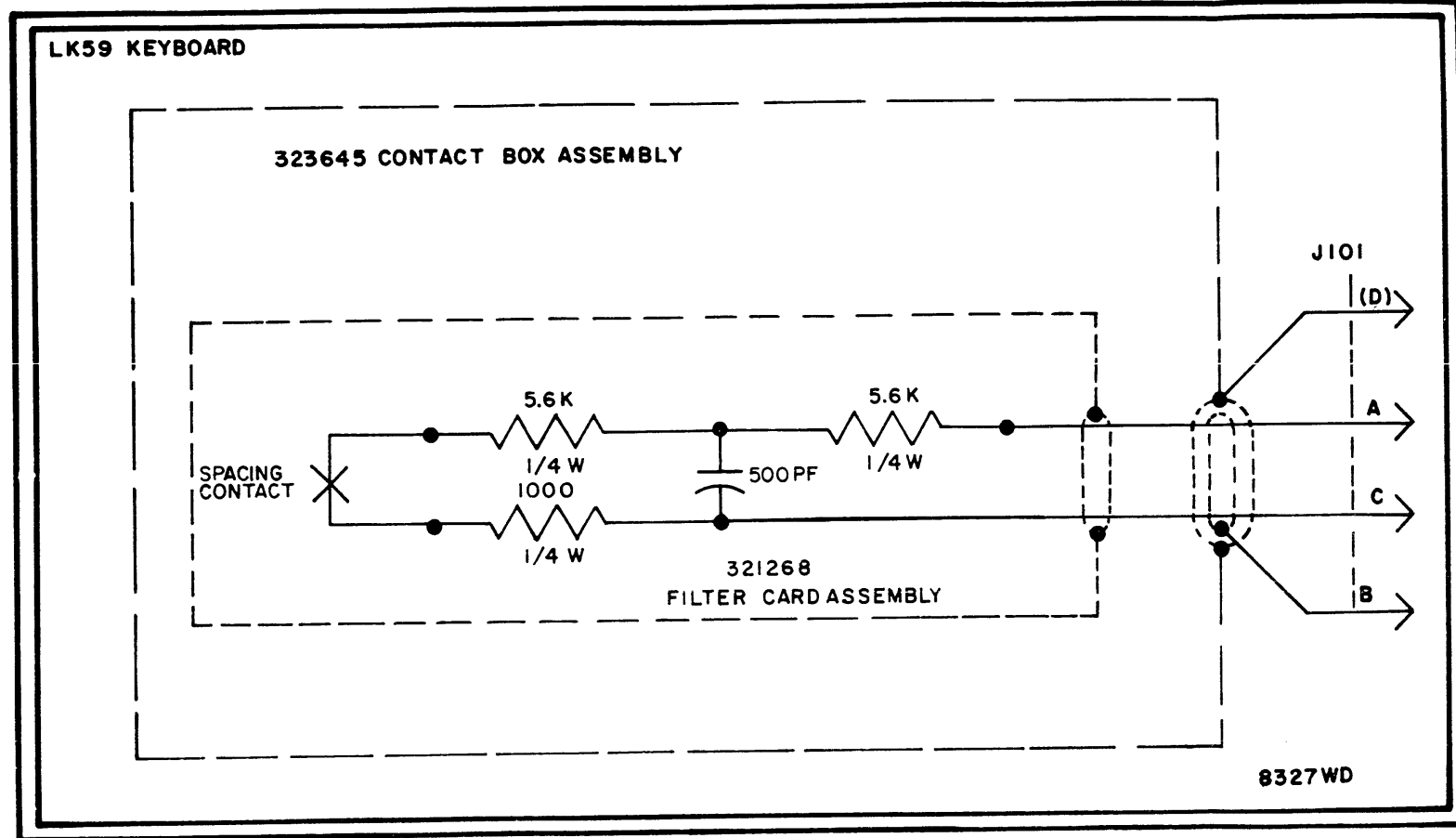
303142
LOW LEVEL
KEYER
TC
4D6
4C6
E.F.
KA
A.B.
L.M.
KEYER
OUTPUT
+6VDC MARK
-6VDC SPACE
COMMON
STRAP
TR4
TB3
(NOTE 15)
TB1
NOTE 20

NOTE 16
TI
7
4
5
6
3
2
1
115
IV AC
50VAC
50VAC
R101
250
25W
(2)
(1)+57 TO 90 VDC
+47 TO 53 VDC REG.
SA
S
C.D
323810
SELECTOR
MAGNET
DRIVER
8143WD
H.J.K.
L.M.
N.P.
COMMON
TR4
TB2
NOTE 15
DRIVER INPUT
+6VDC MARK
-6VDC SPACE

321290
POWER SUPPLY
WITH
321130
CIRCUIT
CARD
UNREG
+47V
-7V
+7V
TO
+53V
PA
A.B
N.P
H.J.K
L.M
C.D
E.F
R.S
LPI35 TYPING UNIT
319230
SELECTOR MAGNET
ASSEMBLY
J103
B
A
C
D
32
132
8326WD
P103
B
A
C
A
TC
5
TC
4
CL103 (1)
325914
CABLE
REFER
TO
8328WD
8330WD

REVISIONS

ISSUE	DATE	AUTH. NO.
1	8-2-67	18615-R



SEE ISSUE CONTROL RECORD FOR COMPLETE LIST OF SHEETS COMPRISING THIS W.D.

SHEET 4
 SCHEMATIC WIRING DIAGRAM FOR ELECTRICAL SERVICE ASSEMBLY 324061 AS PART OF 28-RFK 2000B OR 325918 AS PART OF 28-RFK 2001B RACK-MOUNTED SEND-RECEIVE PRINTER SET

APPROVALS	
D AND R <i>HAK</i>	E OF M <i>[Signature]</i>
E-NUMBER	
PROD. NO. 8332 WD	
DATE: 5-8-67	
P.D. FILE NO. 15-65AAA	
DRAWN TFG	CHKD. <i>[Signature]</i>
ENGD. HAK	APPD. <i>[Signature]</i>

TELETYPE CORPORATION
 8332 WD

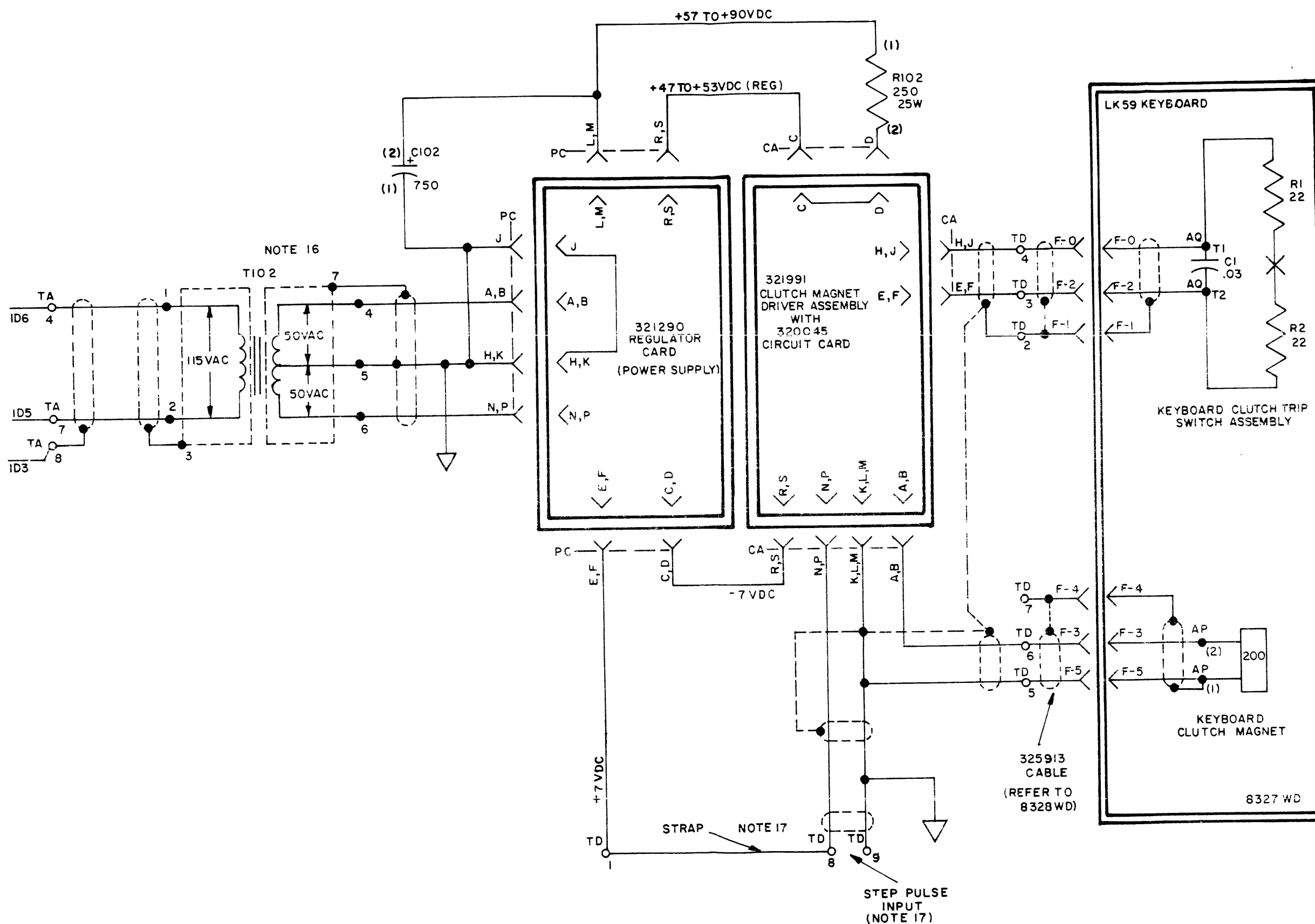
CLUTCH MAGNET CIRCUITS

NOTE: REVISION INFORMATION MUST ALSO BE REFLECTED ON THE ISSUE CONTROL RECORD, WHICH IS PART OF THIS W.D.

8332WD

REVISIONS

ISSUE	DATE	AUTH. NO.
1	8-2-67	18615-R
2	12-6-67	94845-D
3	4-11-68	95572



SEE ISSUE CONTROL RECORD FOR COMPLETE LIST OF SHEETS COMPRISING THIS W.D.

SHEET 5 WDP

SCHEMATIC WIRING DIAGRAM FOR ELECTRICAL SERVICE ASSEMBLY 324061 AS PART OF 28-RFK2000 B OR 325918 AS PART OF 28-RFK2001 B RACK-MOUNTED SEND-RECEIVE PRINTER SET

APPROVALS

D AND R E OF M
HAK *U*

E-NUMBER
 PROD. NO. 8332WD

DATE: 5-9-67
 P.D. FILE NO. 15-65 AAA

DRAWN TFG CHKD *U*
 ENGD. HAK APPD. *HAK*

TELETYPE CORPORATION

8332WD

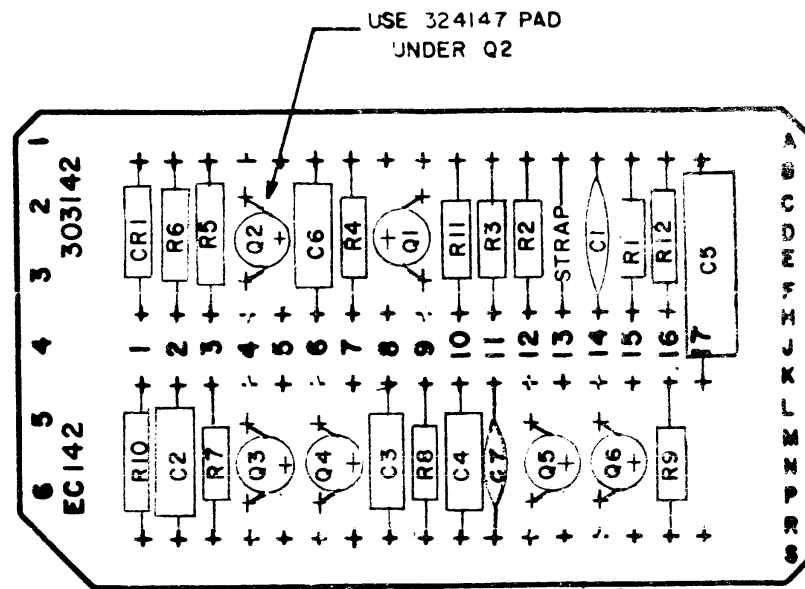
EC 142

303142

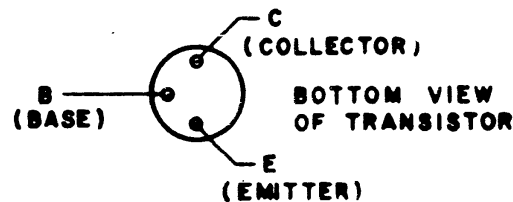
CIRCUIT BOARD EC142

303142

REVISIONS		
ISSUE	DATE	AUTH NO
1	5-5-66	17929 R
2	2-21-67	92989
3	6-16-67	94065
4	1-19-68	94934
5	8-21-68	95881



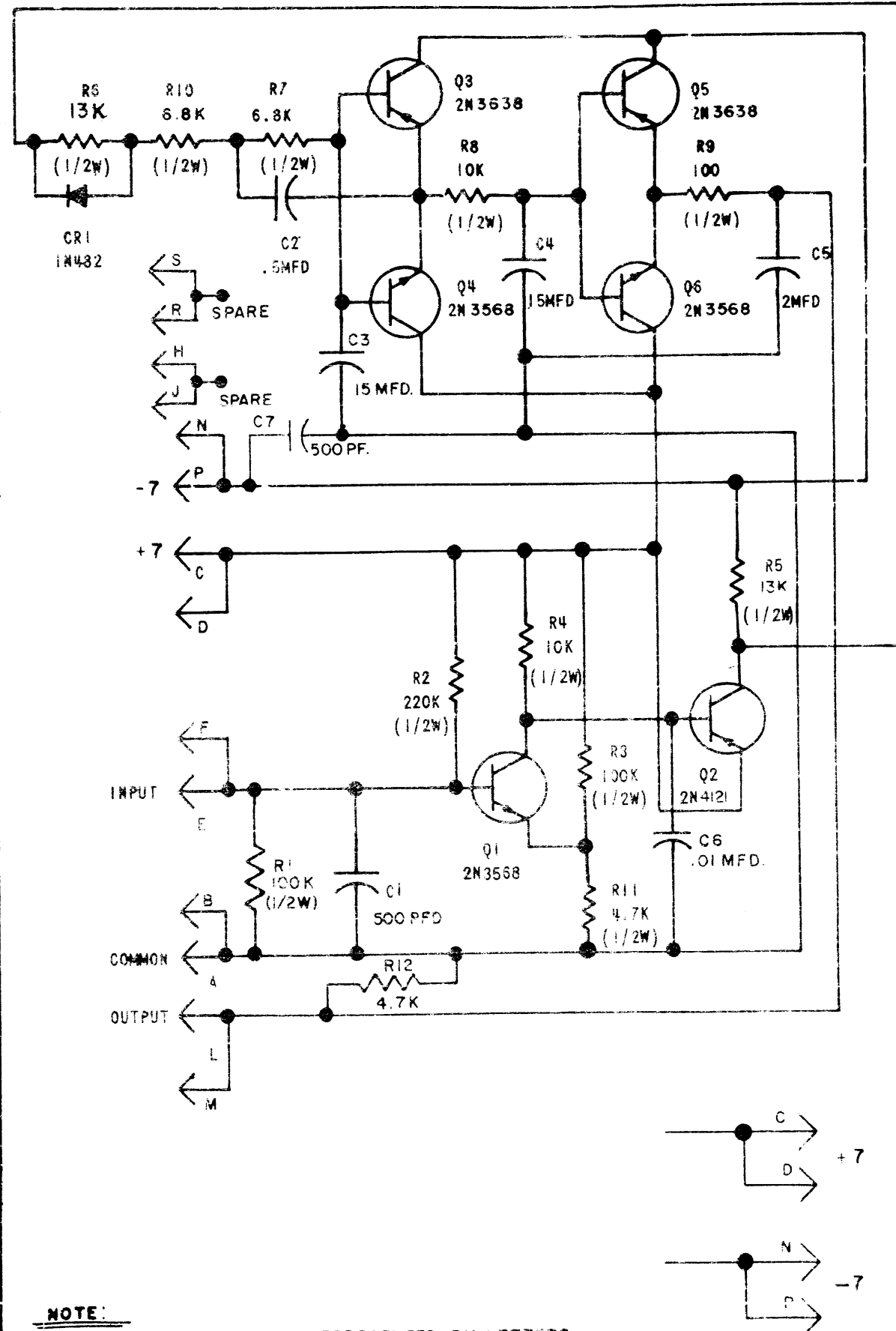
ALPHA NUMERIC CONVERSION CHART		
STAMPING ON CIRCUIT BOARD	NUMERICAL CONVERSION FOR 15 PT. CARDS WHEN USED WITH 36 PT. CONNECTOR	
	WHEN INSERTED IN UPPER HALF OF CONNECTOR	WHEN INSERTED IN LOWER HALF OF CONNECTOR
A	1	22
B	2	23
C	3	24
D	4	25
E	5	26
F	6	27
H	7	28
J	8	29
K	9	30
L	10	31
M	11	32
N	12	33
P	13	34
R	14	35
S	15	36



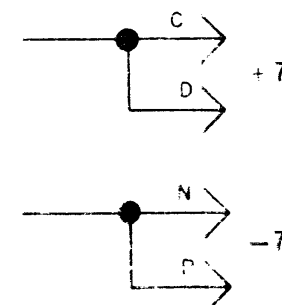
NOTE:
REFER TO 5016WD FOR MARKING INFORMATION

REF. DESIGN	TELETYPE PART NO.	TOTAL QTY.	NAME AND DESCRIPTION	LOCATING FUNCTION
R1	118720	2	RESISTOR 100K 5% 1/2 WATT	RC FILTER
R2	118179	1	RESISTOR 220K 5% 1/2 WATT	Q1 BASE BIAS
R3			RESISTOR SAME AS R1	Q1 EMITTER BIAS
R4	129854	2	RESISTOR 10K 5% 1/2 WATT	Q1 COLLECTOR BIAS
R5	321204	2	RESISTOR 13K 1% 1/2 WATT	Q2 COLLECTOR BIAS
R6			RESISTOR SAME AS R5	RC BIAS EQUALIZER
R7	118147	2	RESISTOR 6.8K 5% 1/2 WATT	Q3,4 BASE BIAS
R8			RESISTOR SAME AS R4	Q5,6 BASE BIAS
R9	137438	1	RESISTOR 100-OHMS 5% 1/2 WATT	RC FILTER
R10			RESISTOR SAME AS R7	Q3,4 BASE BIAS
R11	118146	2	RESISTOR 4.7K 5% 1/2 WATT	Q1 EMITTER BIAS
CR1	181619	1	DIODE 1N482	R6 SHUNT SWITCH
C1	321157	2	CAPACITOR 500PFD	INPUT FILTER
C2	320048	1	CAPACITOR .5MFD	ACTIVE FILTER FEEDBACK
C3	320049	2	CAPACITOR .15MFD	ACTIVE FILTER INTEGRATOR
C4			CAPACITOR SAME AS C3	RC FILTER INTEGRATOR
C5	320047	1	CAPACITOR 2MFD	RC FILTER INTEGRATOR
Q1	315930	3	TRANSISTOR, 2N3568	1st AMPLIFIER
Q2	324144	1	TRANSISTOR 2N4121	2nd AMPLIFIER
Q3	315931	2	TRANSISTOR 2N3638	ACTIVE COMPLIMENTARY FILTER
Q4			TRANSISTOR SAME AS Q1	ACTIVE COMPLIMENTARY FILTER
Q5			TRANSISTOR SAME AS Q3	COMPLIMENTARY SYMMETRY
Q6			TRANSISTOR SAME AS Q1	EMITTER FOLLOWER AMPLIFIER
R12			RESISTOR SAME AS R11	OUTPUT LOAD
C6	181618	1	CAPACITOR .01MFD	RC FILTER
C7			CAPACITOR SAME AS C1	RF BY PASS
EC	320051	1	BOARD, ETCHED CIRCUIT	
	324147	1	PAD, TRANSISTOR	
	144495	5	PAD, TRANSISTOR	

POLAR LINE KEYSER ±6V



NOTE:
CARD CONNECTIONS ARE REPRESENTED BY LETTERS
TEST POINTS ARE REPRESENTED BY NUMBERS



APPROVALS

D AND R E OF M

E-NUMBER

PROD. NO. 303142

DATE 4-27-65

PD. FILE NO. 15-13AAA

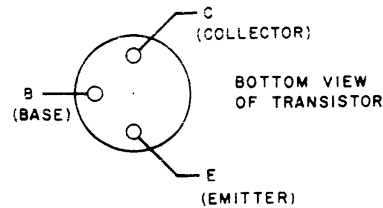
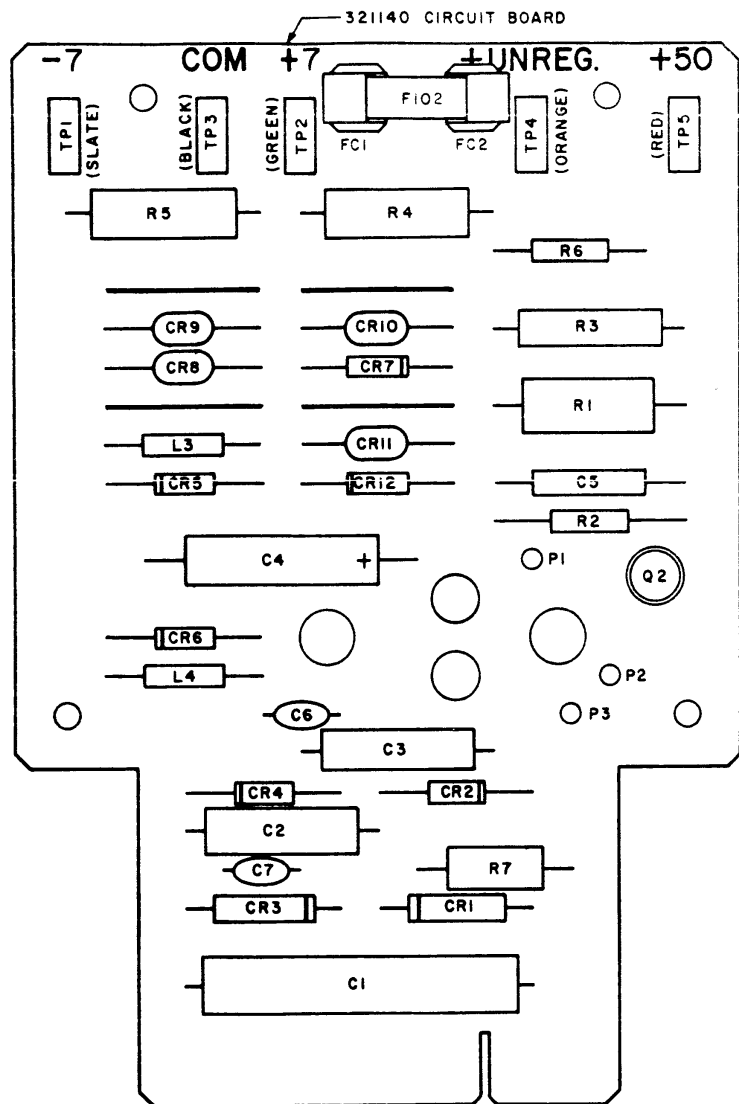
DRAWN CHRU

ENGD RJM APPD

TELETYPE CORPORATION

303142

MAINTAIN A MINIMUM SPACING OF 1/4 INCH BETWEEN R4, R5 AND ADJACENT COMPONENTS, ON EITHER SIDE OF R4, R5



CIRCUIT BOARD ASSEMBLY, POWER SUPPLY (47-53V.D.C. .5AMP MAX.)

REF. DESIGN	PART NO.	TOTAL QTY.	NAME AND DESCRIPTION	FUNCTION
C1	312294	1	CAPACITOR, .15MFD 400V	RF FILTER
C2,3	171595	2	CAPACITOR, .22MFD 200V	RF FILTER
C4	171831	1	CAPACITOR, .10MFD 150V	RECTIFIER FILTER
C5	178860	1	CAPACITOR, .022MFD 100V	RF FILTER
C6,7	312385	2	CAPACITOR, .1MFD 10V	RF FILTER
R1	198937	1	RESISTOR, 2.7K 2W	
R2	182180	2	RESISTOR, 200 OHM 1/2W	
R3	171533	1	RESISTOR 4 OHM 5W	
R4,5	311664	2	RESISTOR, 2.5K 8W	DROPPING
R6			SAME AS R2	RF FILTER
R7	305298	1	RESISTOR, 3.3K 3W	BLEEDER
CR1-4	182520	4	DIODE (1M4383)	RECTIFIER
CR5,6	327794	2	DIODE, ZENER (7.2V)	REFERENCE
CR7	321286	2	DIODE, ZENER (1M4749A)	REFERENCE
CR8-11	178844	4	VARIATOR (W.E. 100A)	REFERENCE
CR12			SAME AS CR7	REFERENCE
L3,4	321159	2	INDUCTOR 39 uH	RF FILTER
Q2	321145	1	TRANSISTOR (2N2270)	GAIN
F102	311068	2	FUSE CLIP	
F102	131807	1	FUSE .5 AMP.	
TP1	320042	1	JACK, TEST (SLATE)	
TP2	320041	1	JACK, TEST (GREEN)	
TP3	320039	1	JACK, TEST (BLACK)	
TP4	320040	1	JACK, TEST (ORANGE)	
TP5	320038	1	JACK, TEST (RED)	
P1-3	137471	3	TERMINAL POST	CONNECTOR
	321140	1	CIRCUIT CARD	
	39603RM	33 FT.	24 GA. WIRE, BARE (4 STRAPS)	
	110141	2	RIVET	

3 2 1 1 3 0

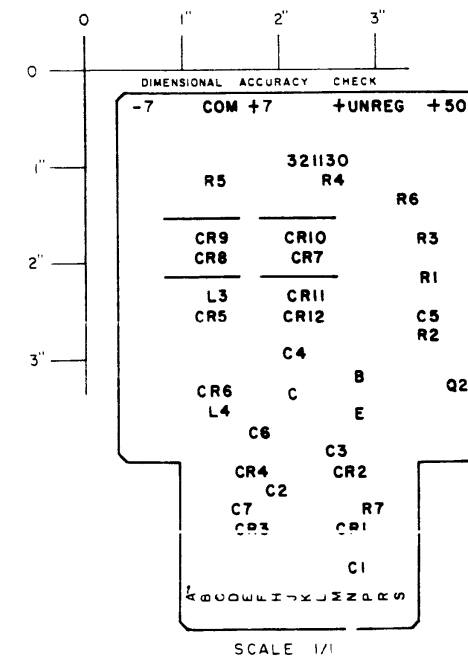
REVISIONS

ISSUE	DATE	AUTH. NO.
2	2-23-67	92981
3	3-29-67	92996
4	4-11-67	93726
5	6-1-67	93511
6	11-7-67	93511-1
7	3-13-68	95422
8	4-11-68	95605
9	5-22-68	95763
10	10-28-68	96033
11	12-20-68	98266

CIRCUIT DESCRIPTION (SEE SHEET 2)

DIODES CR1 AND CR3 FORM A RECTIFIER WITH ASSOCIATED TRANSFORMER (321123) T1 AND CAPACITOR C8 (321129) TO OBTAIN A MINIMUM +58V DC UNREGULATED. Q1 IS AN EMITTER FOLLOWER VOLTAGE REGULATING ELEMENT WHICH ABSORBS THE VOLTAGE DIFFERENCE BETWEEN THE UNREGULATED DC AND THE CONSTANT -50V DC REFERENCE ESTABLISHED BY DIODES CR7-CR12. Q2 PROVIDES GAIN FOR Q1. DIODES CR3, CR4, TRANSFORMER T1 AND CAPACITOR C4 FORM A FULL WAVE RECTIFIER TO OBTAIN NEGATIVE UNREGULATED DC. R4 AND CR6, R5 AND CR5 FORM BASIC SHUNT REGULATORS TO OBTAIN +7 AND -7V DC.

- 1) TELETYPE REFERENCE ONLY: SPECIFICATION 61,2675
- 2) SEE SHEET 2 FOR SCHEMATIC WIRING
- 3) ALL CHARACTERS TO BE .125 HIGH AND PRINTED WITH WHITE ENAMEL.
- 4) ALL PRINTED CHARACTERS TO BE LOCATED ±.031 FROM NOMINAL POSITION.



SHEET 1

WDP

APPROVALS

D AND R: HJK
E OF M: C#7

E-NUMBER

PROD. NO. 321130

DATE 12-14-66

P.D. FILE NO. 15-65AAA

DRAWN J.J.A.

HKD.

ENGD. B.P.K.

A+PD.

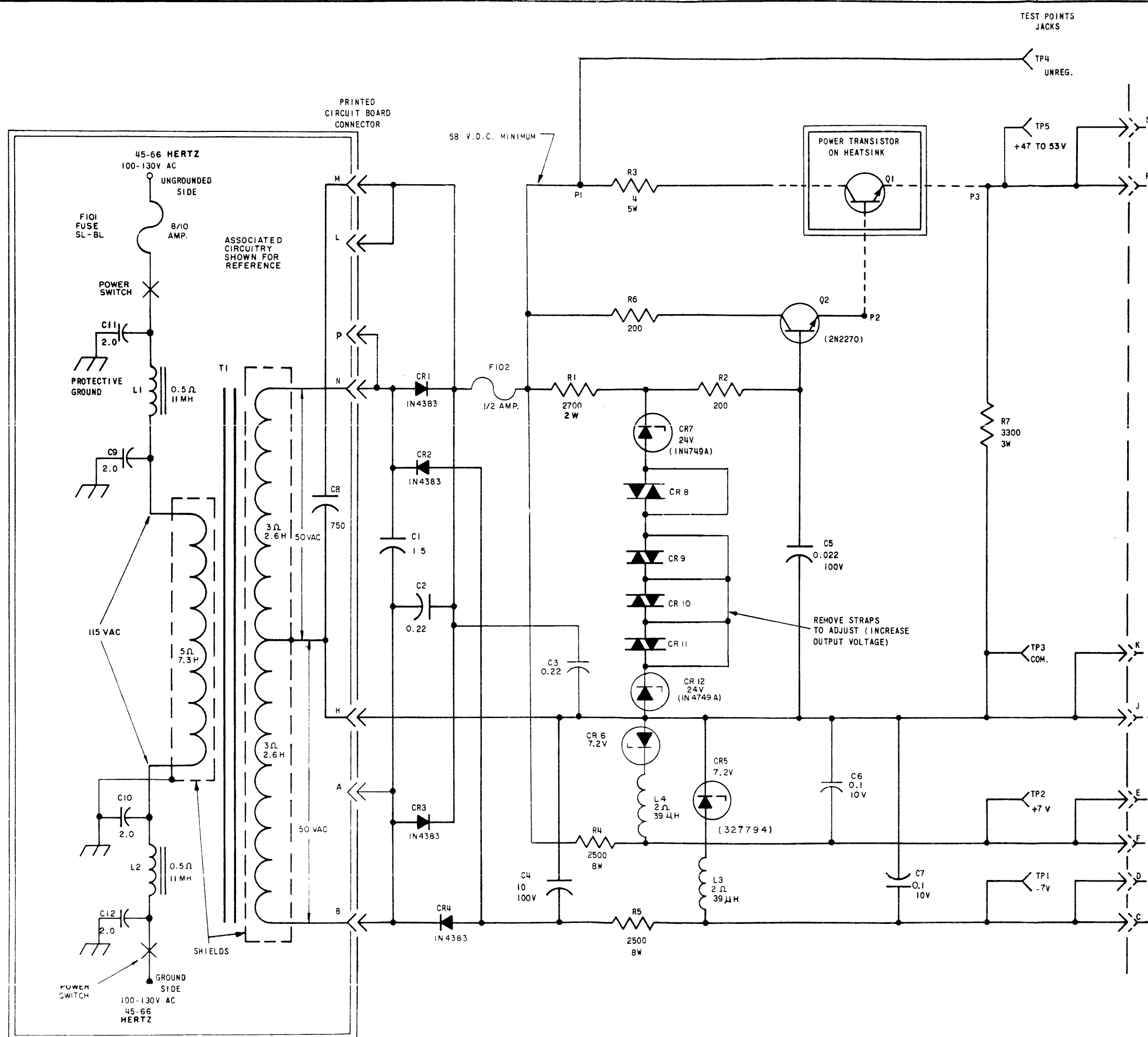
TELETYPE CORPORATION

3 2 1 1 3 0

321130

REVISIONS

ISSUE	DATE	AUTH. NO.
1	2-23-67	92981
2	4-11-67	93726
3	10-26-67	94751 B
4	1-25-68	94934
5	10-28-68	96033
6	12-27-68	98132



SHEET 2

WDP

APPROVALS

D AND R <i>HJK</i>	E OF M <i>[Signature]</i>
-----------------------	------------------------------

E-NUMBER

PROD. NO. 321130

DATE 12-14-67

P.D. FILE NO. 15-65AAA

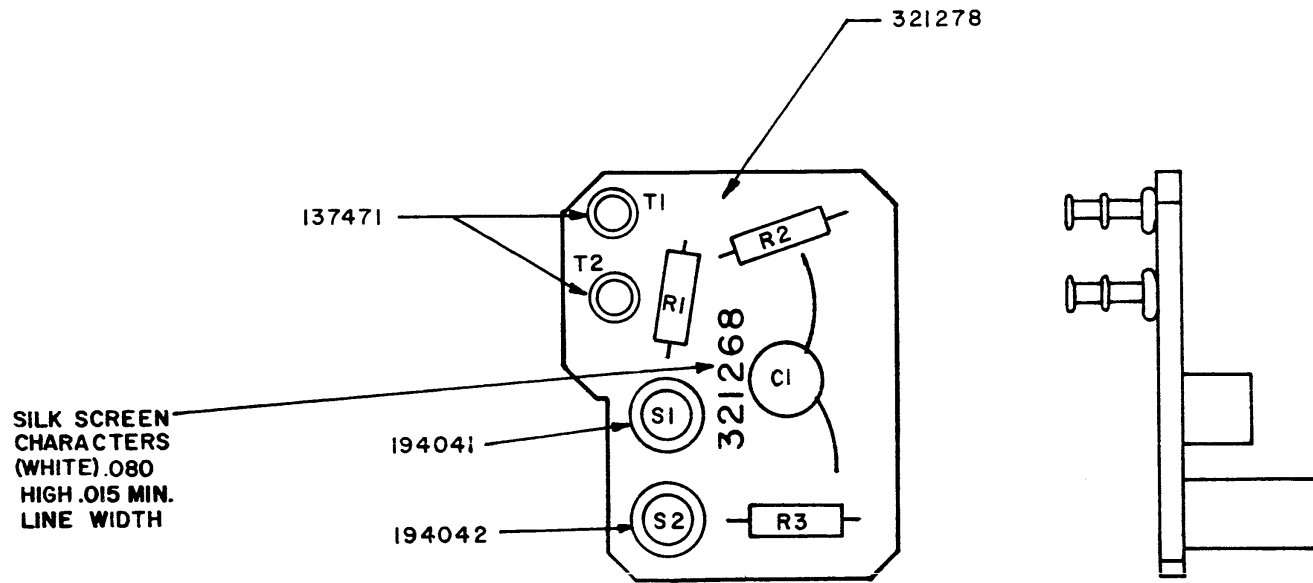
DRAWN J.J.A. CHKD. *[Signature]*

ENGD. B.P.K. APPD.

TELETYPE CORPORATION

321130

ALL DIMENSIONS \pm UNLESS OTHERWISE SPECIFIED.



SILK SCREEN CHARACTERS (WHITE) .080 HIGH .015 MIN. LINE WIDTH

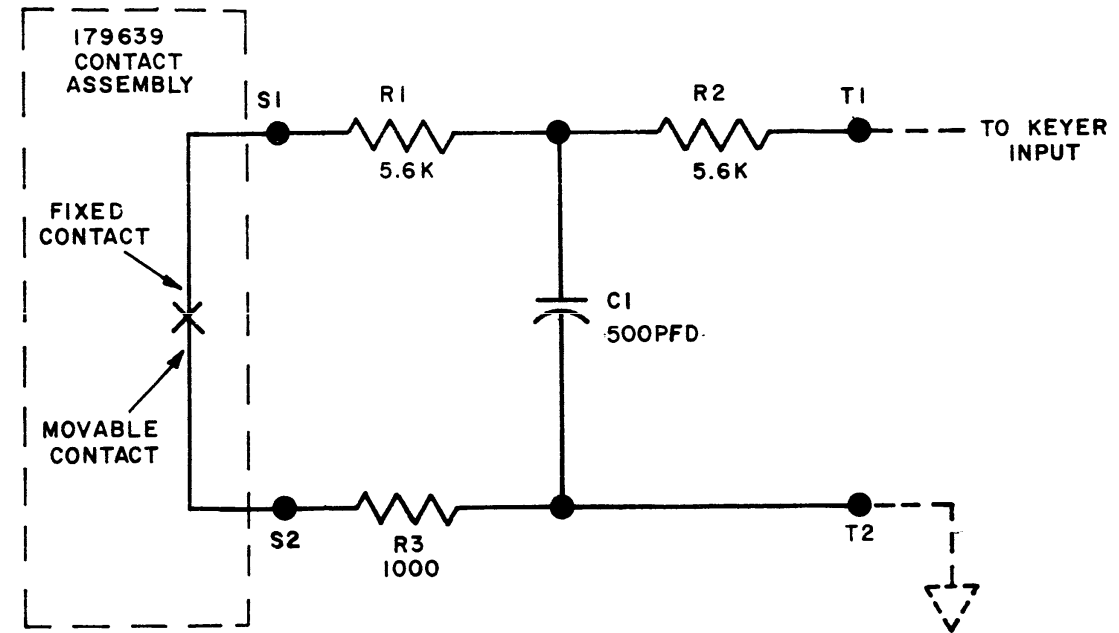
FILTER CARD ASSEMBLY

321268

PARTS REQ.	NO. REQ.	USED ON	NO. REQ.
		321241	1
		321265	1

REVISIONS

ISSUE NO.	DATE	AUTHOR NO.
1	9-13-66	17939-R
2	6-16-67	94065



NOTE:
DASHED LINES INDICATE EXTERNAL CIRCUITRY.

REF. DESIGN	TELETYPE PART NO.	TOTAL QTY.	NAME AND DESCRIPTION	LOCATING FUNCTION
R1	315960	2	RESISTOR, 5.6K 1/4 WATT	RC FILTER
R2	"		SAME AS R1	"
R3	321213	1	RESISTOR, 1000 Ω 1/4 WATT	"
C1	321157	1	CAPACITOR, 500 PFD	"
T1	137471	2	TERMINAL, SOLDER	
T2	"		"	
S1	194041	1	STUD, CONNECTOR	
S2	194042	1	"	
321278	321278	1	BOARD, ETCHED CIRCUIT	

WDP

APPROVALS	
D AND R	E OF M
<i>[Signature]</i>	<i>[Signature]</i>

E. NUMBER
PROD. NO. 321268

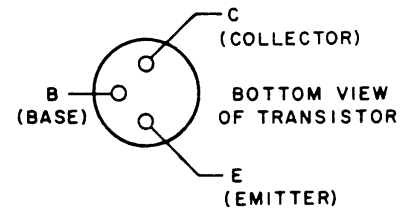
TELETYPE CORPORATION
321268

SCALE: 2/1 STOCK SPECIFICATION

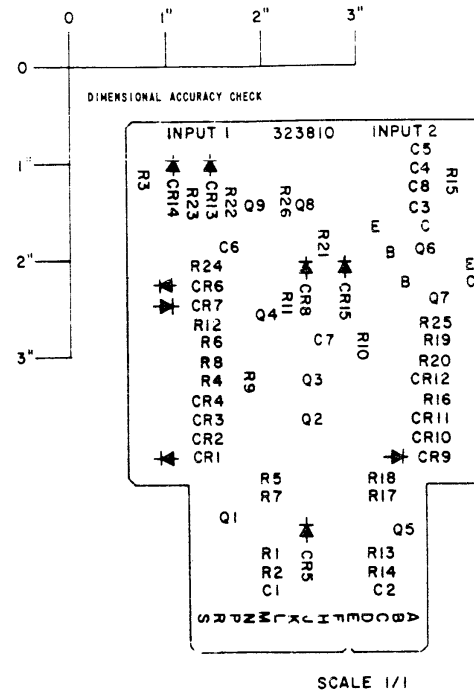
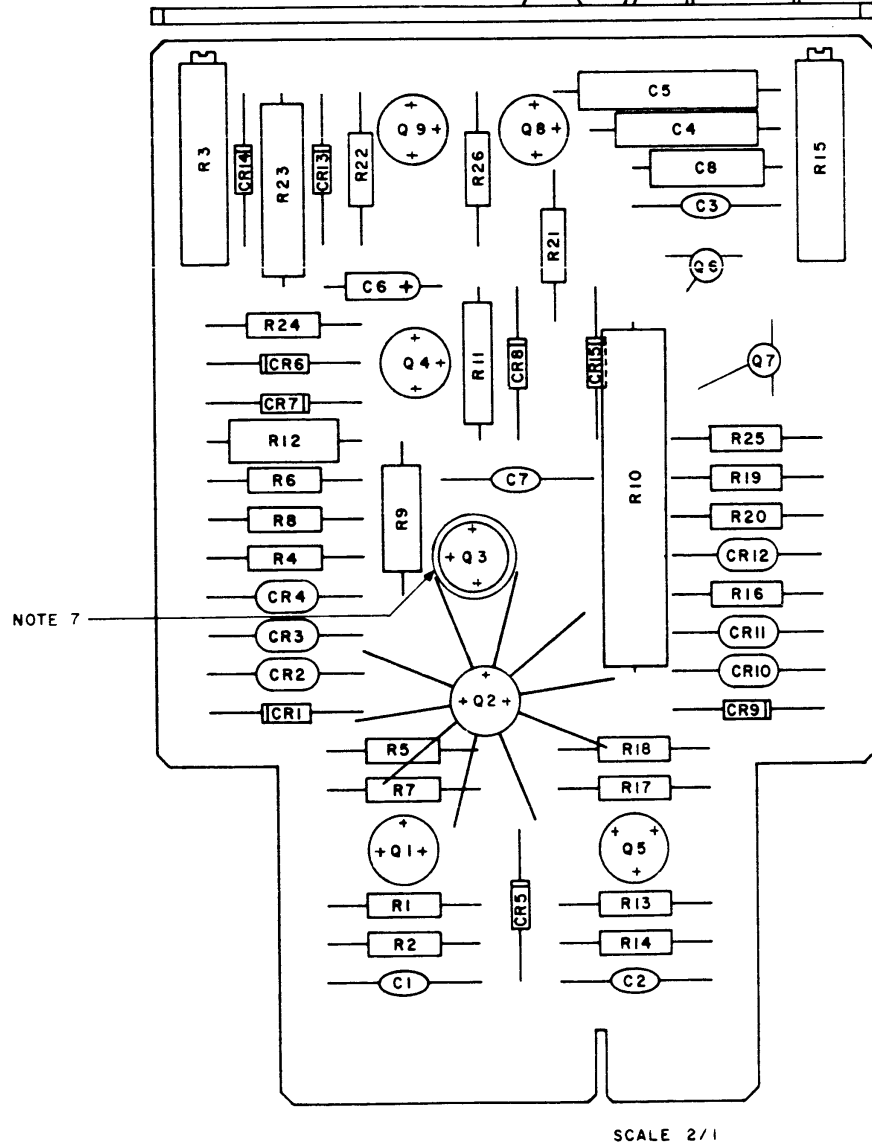
DRAWN	P.D. FILE NO.	DATE	SIZE	KIND	SHAPE	TEMPER.
R.S.S.	15-65AAA	6-13-66				
DESIGNED	ENGINEER	CHECKED	APPROVED			
	R.J.M.	<i>[Signature]</i>	<i>[Signature]</i>			

ASSEMBLY, CIRCUIT (SMD WITH SIGNAL COMBINER)

NO. 8-M



MAINTAIN A MINIMUM SPACING OF 1/8 INCH BETWEEN R10 AND ADJACENT COMPONENTS ON EITHER SIDE OF R10



- NOTE:
1. TRANSISTOR Q2 HAS 323847 HEAT SINK PRESSED ON.
 2. USE 323846 TRANSISTOR PAD UNDER TRANSISTOR Q3.
 3. REFERENCE SPECIFICATION FOR TELETYPE CORP. EMPLOYEES ONLY: 61.2645
 4. REFER TO 8143MD FOR SCHEMATIC WIRING DIAGRAM
 5. ALL CHARACTERS TO BE .125 HIGH AND PRINTED WITH WHITE ENAMEL.
 6. ALL PRINTED CHARACTERS TO BE LOCATED +.031 FROM NOMINAL POSITION
 7. Q3 HAS 30016 INSULATING COVER. POSITION Q3 (WITH COVER) SO THAT 323847 HEAT SINK MAY BE FULLY SEATED ON Q2.
 8. 144495 TRANSISTOR PAD REQUIRED ON Q1, Q4, Q5, Q8 AND Q9, AND Q2.

REF. DESIG.	TELETYPE PART NO.	TOTAL QTY.	NAME AND DESCRIPTION	LOCATING FUNCTION
C1	321157	1	CAPACITOR, 500 pF	R.F. BY-PASS CAP.
C2	321157	1	CAPACITOR, 500 pF	R.F. BY-PASS CAP.
C3	321157	1	CAPACITOR, 500 pF	R.F. BY-PASS CAP.
C4	171829	1	CAPACITOR, .15 MFD	Q8 FEEDBACK CAP.
C5	326776	1	CAPACITOR, .47 MFD	Q9 FEEDBACK CAP.
C6	321260	1	CAPACITOR, 1 MFD 50V	TRANSIENT SUPP.
C7	321157	1	CAPACITOR, 500 pF	R.F. BY-PASS CAP.
C8	178860	1	CAPACITOR, .022 MFD	R.F. BY-PASS CAP.
R1	118720	1	RESISTOR, 100K, 1/2W	Q1 OPEN LINE BIAS
R2	118720	1	RESISTOR, 100K, 1/2W	INPUT 1 RES
R3	323964	1	POTENTIOMETER 500K	Q1 BIAS
R4	129854	1	RESISTOR, 10K, 1/2W	Q1 BIAS
R5	118177	1	RESISTOR, 22K, 1/2W	Q1 LOAD RES.
R6	137604	1	RESISTOR, 620, 1/2W	VOLTAGE DIVIDER
R7	118146	1	RESISTOR, 4.7K, 1/2W	Q1 EMITTER RES.
R8	129850	1	RESISTOR, 680, 1/2W	VOLTAGE DIVIDER
R9	309868	1	RESISTOR, 1.3K, 3W	CR5 CURRENT LIMITER
R10	323841	1	RESISTOR, 300, 1/2W	Q2 LOAD RES.
R11	323842	1	RESISTOR, 21, 1/2W, 1% RESISTOR, 21, 1/2W, 1%	REG. CURRENT SET
R12	178864	1	RESISTOR, 3.9K, 1W	CR8 CURRENT LIMITER
R13	118720	1	RESISTOR, 100K, 1/2W	Q5 OPENLINE BIAS
R14	118720	1	RESISTOR, 100K, 1/2W	INPUT 2 RES.
R15	323964	1	POTENTIOMETER 500K	Q5 BIAS
R16	129854	1	RESISTOR, 10K, 1/2W	Q5 BIAS
R17	118177	1	RESISTOR, 22K, 1/2W	Q5 LOAD RES.
R18	118146	1	RESISTOR, 4.7K, 1/2W	Q5 EMITTER RES.
R19	137604	1	RESISTOR, 620, 1/2W	VOLTAGE DIVIDER
R20	129850	1	RESISTOR, 680, 1/2W	VOLTAGE DIVIDER
R21	321975	1	RESISTOR, 33, 1/2W	Q8 EMITTER RES.
R22	118177	1	RESISTOR, 22K, 1/2W	CR13 BIAS RES.
R23	323843	1	RESISTOR, 590, 5W, 1% RESISTOR, 590, 5W, 1%	COIL CURRENT LIMITER
R24	137442	1	RESISTOR, 1.5K, 1/2W	C6 BLEEDER RES.
R25	118154	1	RESISTOR 47K, 1/2W	Q6, Q7 LOAD RES.
R26	120424	1	RESISTOR 4.3K, 1W	Q8 LOAD RES.
CR1	321154	1	DIODE, 1N457A	Q1 BASE PROT.
CR2	178844	1	VARIABLE, 100-A	TEMP. COMP.
CR3	178844	1	VARIABLE, 100-A	TEMP. COMP.
CR4	178844	1	VARIABLE, 100-A	TEMP. COMP.
CR5	181667	1	DIODE, 1N750A	TEMP. COMP. REF.
CR6	321156	1	DIODE, 1N482A	Q4 COLLECTOR CLAMP
CR7	321156	1	DIODE, 1N482A	Q4 COLLECTOR CLAMP
CR8	321161	1	DIODE, 1N748A	REG. VOLT REF.
CR9	321154	1	DIODE, 1N457A	Q5 BASE PROT.
CR10	178844	1	VARIABLE, 100-A	TEMP. COMP.
CR11	178844	1	VARIABLE, 100-A	TEMP. COMP.
CR12	178844	1	VARIABLE, 100-A	TEMP. COMP.
CR13	321156	1	DIODE, 1N482A	Q8 EMITTER DIODE
CR14	321154	1	DIODE, 1N457A	TRANSIENT SUPP.
CR15	321156	1	DIODE, 1N482A	Q8 EMITTER DIODE
Q1	321166	1	TRANSISTOR, 2N1893	DC AMP.
Q2	323844	1	TRANSISTOR, 2N3053	SHUNT REG.
Q3	321261	1	TRANSISTOR, 2N4036	SHUNT REG. AMP.
Q4	323845	1	TRANSISTOR, 40319	SERIES REG.
Q5	321166	1	TRANSISTOR, 2N1893	DC AMP.
Q6	324144	2	TRANSISTOR, 2N4121	DC AMP.
Q7			SAME AS Q6	
Q8	321165	1	TRANSISTOR, 2N3638A	DC AMP.
Q9	321261	1	TRANSISTOR, 2N4036	DC AMP.
	324147	2	PAD, TRANSISTOR	
	144495	2	PAD, TRANSISTOR	
	323846	1	PAD, TRANSISTOR	
	323847	1	HEAT SINK	
	323835	1	CIRCUIT BOARD, ETCHED	
	306116	1	COVER, INSULATING	

323810

REVISIONS

ISSUE	DATE	AUTH. NO.
1	2-23-67	18240-R
2	4-24-67	93730
3	10-16-67	94596-B
4	11-21-67	94849-B
5	5-22-68	95850
6	12-20-68	98266
7	1-29-69	98172
8	2-17-69	98267

USED ON 323808

APPROVALS

D AND R E OF M
HJK

E-NUMBER

PROD. NO. 323810

DATE 2-1-67

P.D. FILE NO. 15-65AAA

DRAWN J.J.A. MKD. JJP
ENGD. DR APPD. JJP

TELETYPE CORPORATION

323810