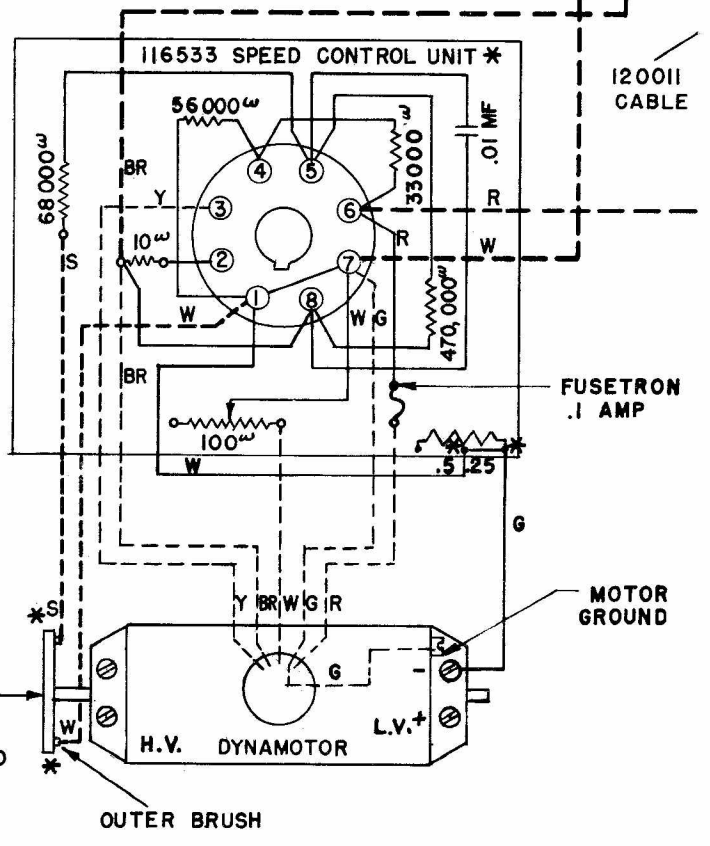
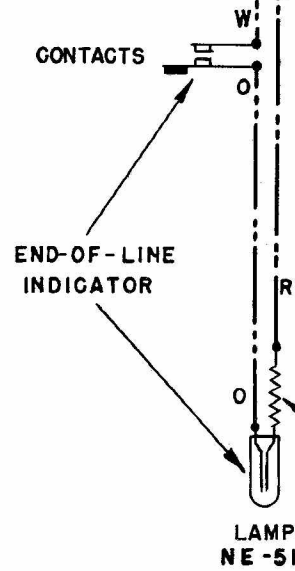
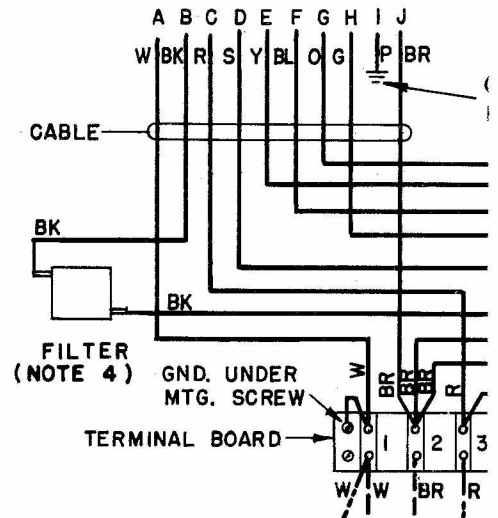
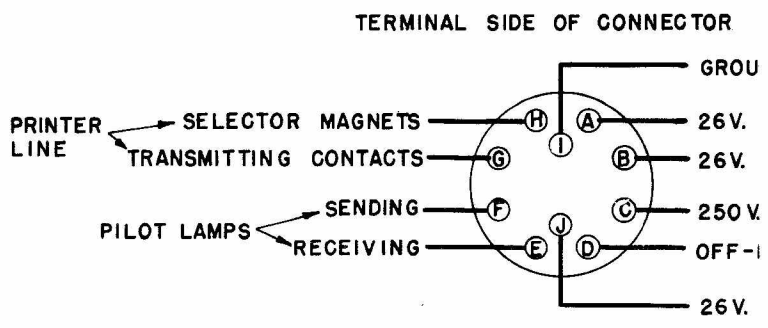


NO.	NOTES										
1.	<p>WIRE COLOR CODE &amp; SYMBOLS MAY BE SOLID COLOR OR TRACERS IN WHITE WIRE:</p> <table border="0"> <tr> <td>Y YELLOW</td> <td>W WHITE</td> </tr> <tr> <td>G GREEN</td> <td>O ORANGE</td> </tr> <tr> <td>BR BROWN</td> <td>S SLATE</td> </tr> <tr> <td>P PURPLE (RED AND R BLUE TRACER)</td> <td>BK BLACK</td> </tr> <tr> <td></td> <td>BL BLUE</td> </tr> </table> <p>— * — DENOTES: SPLICE &amp; TAPE WIRE.</p>	Y YELLOW	W WHITE	G GREEN	O ORANGE	BR BROWN	S SLATE	P PURPLE (RED AND R BLUE TRACER)	BK BLACK		BL BLUE
Y YELLOW	W WHITE										
G GREEN	O ORANGE										
BR BROWN	S SLATE										
P PURPLE (RED AND R BLUE TRACER)	BK BLACK										
	BL BLUE										
2.	<p>ASSOCIATED CABLES:</p> <table border="0"> <tr> <td>—————</td> <td>120008 KEYBOARD</td> </tr> <tr> <td>-----</td> <td>120009 MOTOR</td> </tr> <tr> <td>- - - - -</td> <td>120010 END-OF-LINE INDICATOR</td> </tr> <tr> <td>-----</td> <td>120011 SELECTOR MAGNET</td> </tr> </table>	—————	120008 KEYBOARD	-----	120009 MOTOR	- - - - -	120010 END-OF-LINE INDICATOR	-----	120011 SELECTOR MAGNET		
—————	120008 KEYBOARD										
-----	120009 MOTOR										
- - - - -	120010 END-OF-LINE INDICATOR										
-----	120011 SELECTOR MAGNET										
3.	<p>SELECTOR COILS</p> <table border="1"> <thead> <tr> <th>CURRENT- AMPS.</th> <th>RESISTANCE-OHMS</th> </tr> </thead> <tbody> <tr> <td>.020</td> <td>950 EACH</td> </tr> </tbody> </table>	CURRENT- AMPS.	RESISTANCE-OHMS	.020	950 EACH						
CURRENT- AMPS.	RESISTANCE-OHMS										
.020	950 EACH										
4.	<p>5.8 MICROHENRIES 0.028 OHMS 1.5 MFD.</p>										

\* PLACE VINYL TUBING OVER ALL TERMINALS WITH ASTERISK.



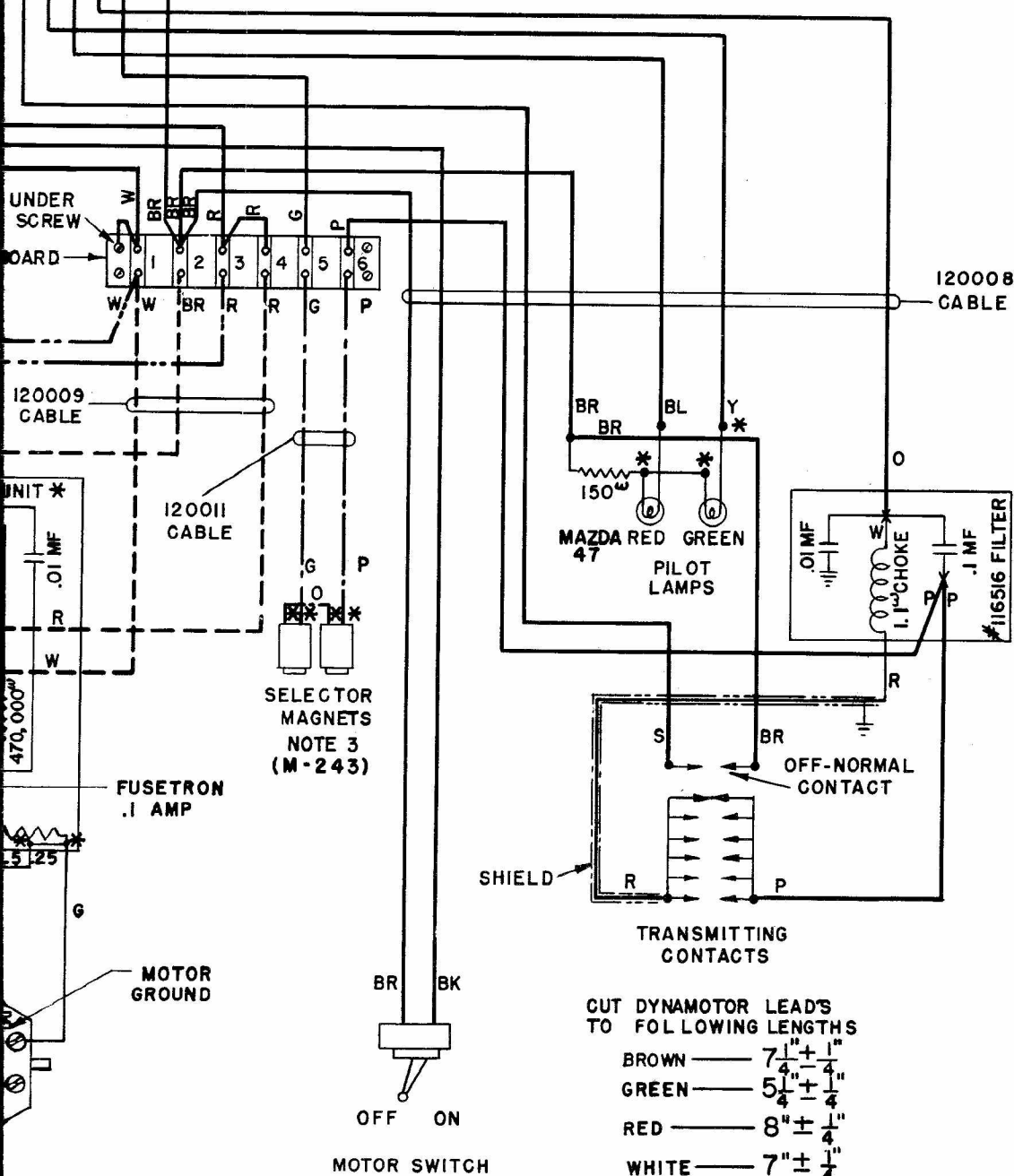
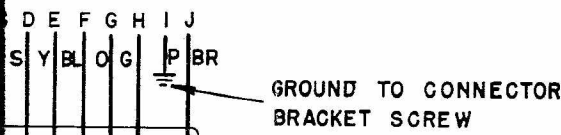
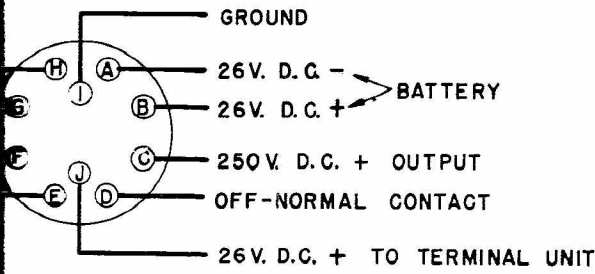
\* SEE DRAWING 116533 FOR MANUFACTURING RESTRICTION.

NOTE: COVER KE FORMED REAR TR

REVISIONS

A	12-27-48	46304
B	1-25-49	46560
C	2-22-49	46819
D	3-30-49	47077
E	4-29-49	47359

SIDE OF CONNECTOR



CUT DYNAMOTOR LEADS TO FOLLOWING LENGTHS

- BROWN —  $7\frac{1}{4} \pm \frac{1}{4}$ "
- GREEN —  $5\frac{1}{4} \pm \frac{1}{4}$ "
- RED —  $8 \pm \frac{1}{4}$ "
- WHITE —  $7 \pm \frac{1}{4}$ "
- YELLOW —  $6 \pm \frac{1}{4}$ "

NOTE: COVER KEYBOARD CABLE WITH PLASTIC TAPE WHENEVER FORMED AROUND METAL EDGES AND LACE CABLE TO REAR TRANSMITTING SHIELD POST.

WD-2584-E  
12-1-48

WIRING DIAGRAM  
MODEL 31 PRINTER  
TYPING UNIT: KP 3  
KEYBOARD: KK 201  
MOTOR ARRANGEMENT: JB

DRAWN: G.A.R. APPROVED:  
ENG'R'D: JBL  
CHECKED: J.S. Bw

FILE: 1-30.87 AA  
TELETYPE CORPORATION