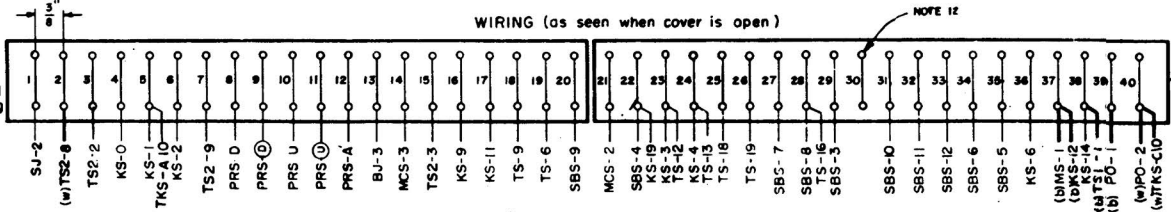


Solderless Terminal # 41077 - AMP, INC.

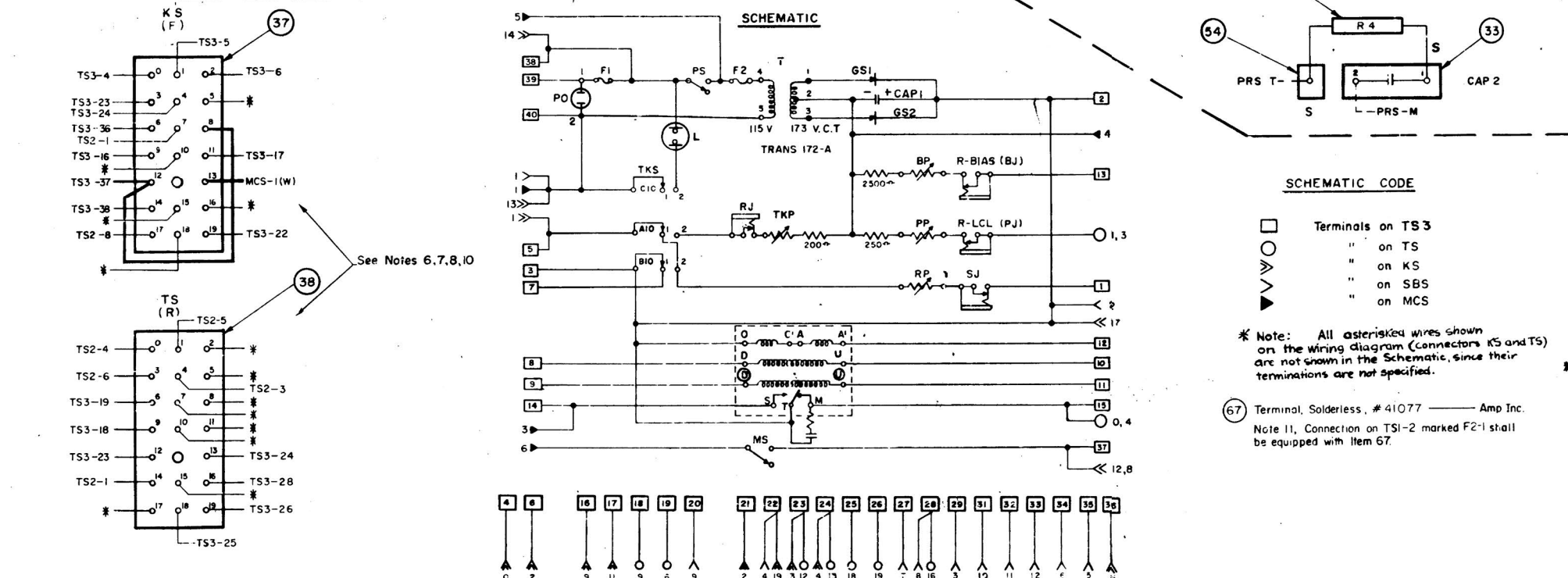
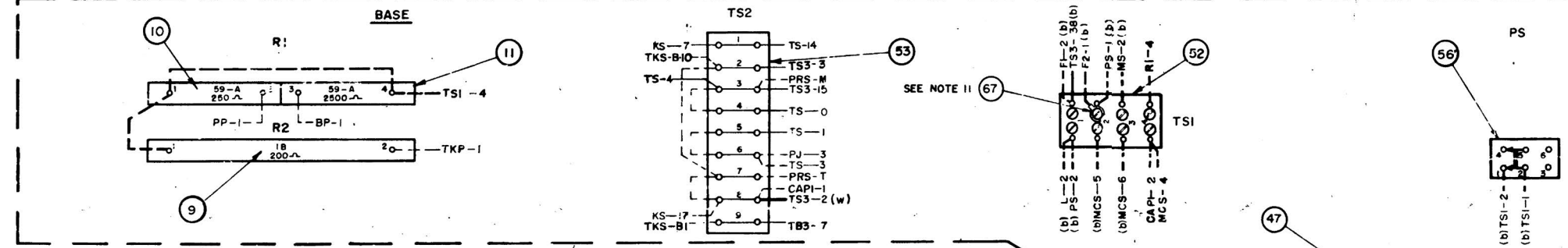
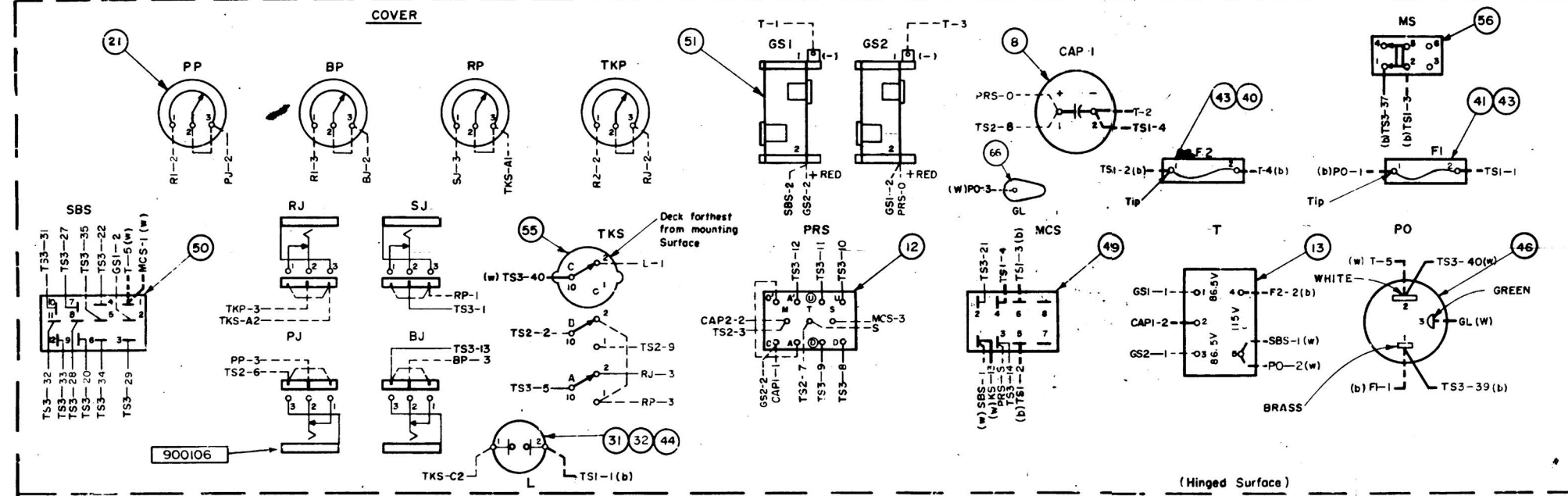
Typical Cable-Wire Termination. The Terminal is attached by Crimping as Recommended by AMP, INC.



TS-3 (Located on Teleprinter Console - Model 28-C Block) (See Note 1)

EQUIPMENT

900106	Jack	(RJ,SJ,PJ,BJ)
8	Capacitor, Dry Electrolytic, 4-A, 150 Mfd, 250 VW DC	(CAP 1)
9	Resistor, 1B, 200 ohm	(R2)
10	Resistor, 59-A, 250 ohm	(R1)
11	Resistor, 59-A, 2500 ohm	(R1)
12	Subbase, Polar Relay, 202-A, without collar	(PRS)
13	Transformer, 172-A	(T)
21	Potentiometer 17-A, 2500-Ω	(PP,BP,RP,TKP)
31	Holder, Indicator Light, Neon with built-in 100,000 ohm Resistor, 52408-9 - Dalglish Corp or 10IN-LC - Drake Mfg. Co	
32	Lens, Indicator Light, 52-991 - Dalglish Corp or 25 PF (Red) - Drake Mfg. Co	(L)
33	Capacitor, 0.5 Mfd., 600V, FM650	Taber-Deuschman-Corp. (CAP 2) Potter Co.
37	Connector, Micro, 47A-17803	Cinch Mfg. Corp. (KS)
38	Connector, Micro, 47A-17804	Cinch Mfg. Corp. (TS)
41	Fuse, # 313004	Littlefuse Inc. (F1)
43	Holder, Fuse HKP	Bussmann Mfg. Co. (F1) & (F2)
46	Receptacle, 3 Wire Grounding, 5284	Harvey Hubbell Inc. (PO)
47	Resistor, 86-A, 390 ohm	(R4)
48	Lamp, Neon NE-51	General Electric Co. (L)
49	Fuse, # 313.500	Littlefuse Inc. (F2)
50	Socket, S-308-AB	H.B. Jones Div. Cinch Mfg. Corp. (MCS)
51	Socket, S-312-AB	H.B. Jones Div. Cinch Mfg. Corp. (SBS)
52	Stack, Germanium Rectifier IN158	General Electric Co. (GS1) or Federal Tel and Radio Corp. (GS2)
53	Strip, Terminal # 4-140-W	H.B. Jones Div. Cinch Mfg. Corp. (TS1)
54	Strip, Terminal # 9-140-W	H.B. Jones Div. Cinch Mfg. Corp. (TS2)
55	Strip, Mounting # 5101	American Radio Hardware Co. (S)
56	Switch, Toggle 81027-JE	Arrow Hart & Hegemann (PS) (MS)
66	Lug, Grounding # 573	Zierick Mfg. Co. (GL)



SCHEMATIC CODE

- Terminals on TS-3
 - " on TS
 - " on KS
 - " on SBS
 - " on MCS
- * Note: All asterisked wires shown on the wiring diagram (connectors KS and TS) are not shown in the Schematic, since their terminations are not specified.

(67) Terminal, Solderless, # 41077 - Amp Inc.
Note 11, Connection on TS1-2 marked F2-1 shall be equipped with Item 67.

- NOTES
- Terminal board TS-3 is not part of the wiring cabinet. TS-3 is shown to illustrate the termination of the cables and the proper order of the wires brought out from the cables.
 - All wires shown terminated on TS-3 shall be equipped with Solderless Terminals # 41077, AMP, INC.
 - Wherever two 22 AWG gauge wires are shown connected to the same point on TS-3, they shall be connected to a single solderless terminal. Any other multiple connection shown on TS-3 shall have each individual wire equipped with one solderless terminal.
 - Wires shown terminated on points 1 through 20, and points 21 through 40 on TS-3, shall form the larger cables emerging from the left and right sides respectively, of the cabinet as shown on Drawing 174239.
 - The spacing between the wires emerging from the cables referred to in note 4 shall be as indicated on Drawings 174239 and this drawing.
 - For method of running cables see Drawing 174239.
 - For method of attaching wires to micro-connectors TS and KS see Drawing 174235. Before wires are connected, tubing shall be placed over the wire in accordance with Drawing 174235 and 174239.
 - All wiring from and to connectors KS and TS and Terminal board TS-3 shall consist of flexible wire of the gauges indicated by the code.
 - All other wiring shall consist of Solid Instrument Wire of the gauges indicated by the code.
 - All wires on KS and TS indicated by * shall be brought into the cabinet through their respective cables. The free length of the wires inside the cabinet as measured from the cable clamps shall be 2 feet. The wires shall be coiled and stapled as described in the text.
- Wire, 18 AWG NEC, Type TFF
 --- " " " Office, Single Conductor per Specs. 9125 (b)=black (w)=cream
 --- Wire, 22 AWG NEC, Solid Instrument per Specs. 9089
 --- " " " Flexible Instrument per Specs. 7371

(See Notes 8 and 9)
Bill of Material, Dwg 174238, 229631

J-NOV 2, 1959
Item 67 was # 34080 F2-1 of note 11 was T-4, Item 31, 32, respectively. Code was 785-21
NOTE ADDED
DRA
G-APRIL 17, 1958
(F2) Fuse Holder and Fuse added. ARS
OCT 20, 1958
Items 37 & 38 were # 14256-A and # 14256-B. Cinch
JUN 19, 1958
E-1958
APRIL 8, 1955
Schematic corrected
APRIL 1955
B-MARCH 20, 1958
Removed connections TS-3 to TS-4
Added connections: TS-3 to TS-2, TS-3 to TS-1, TS-3 to TS-0
APPROVED
IAN 20, 1958
Changes code to B: Wiring and equipment changes wiring by # 174235-E added item 66, 53 was 8-100
APPROVED
DRAWING NUMBER 232623-9
W. U. TEL. CO.
WIRING CABINET 9100-C
WIRING AND SCHEMATIC
SCALE: DRAWN: TRACED: CHECKED: ENGR'D: AL-7801E