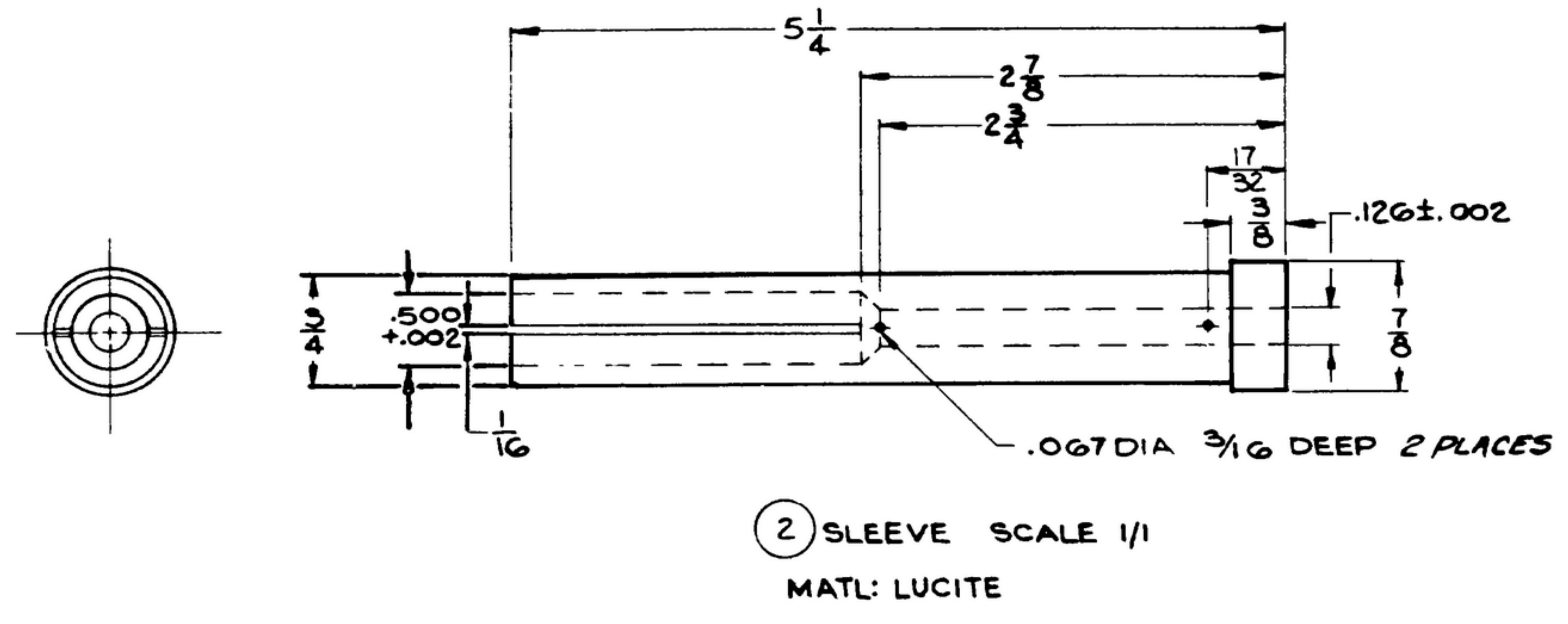
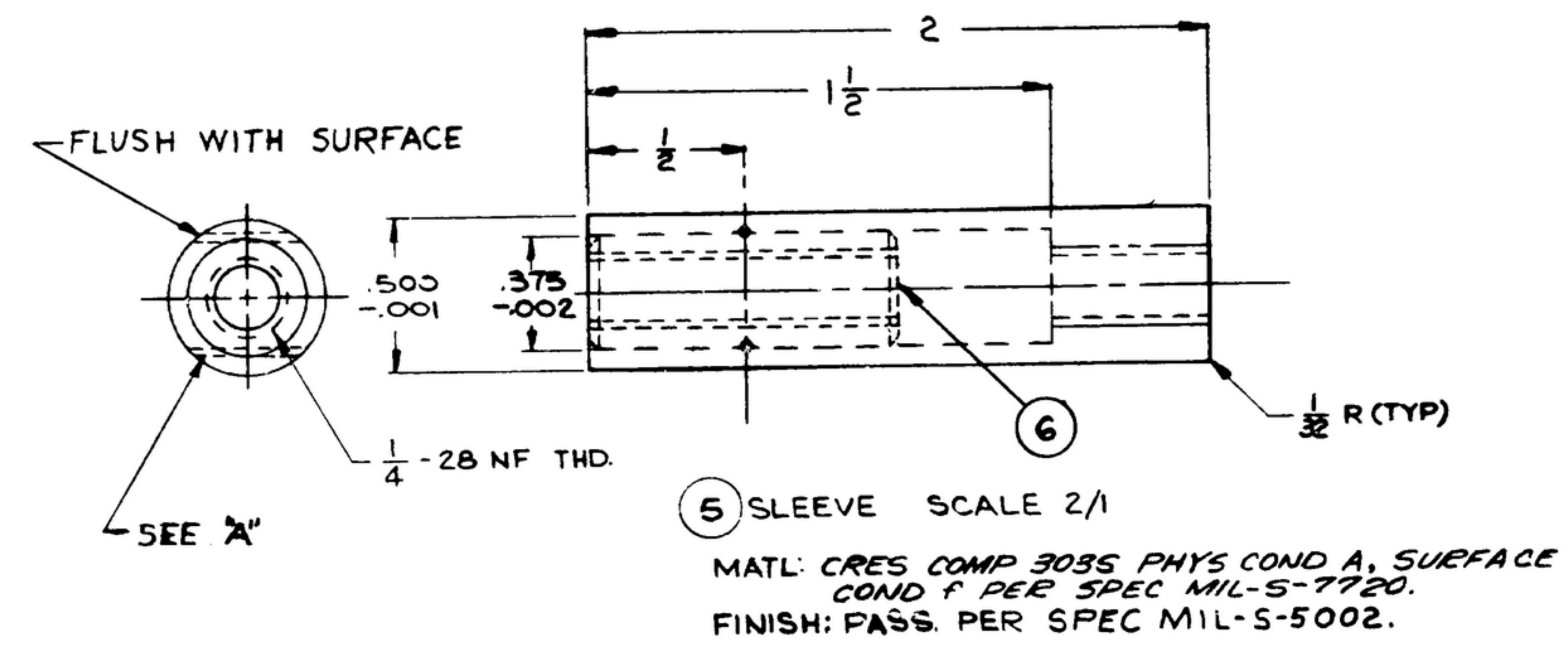
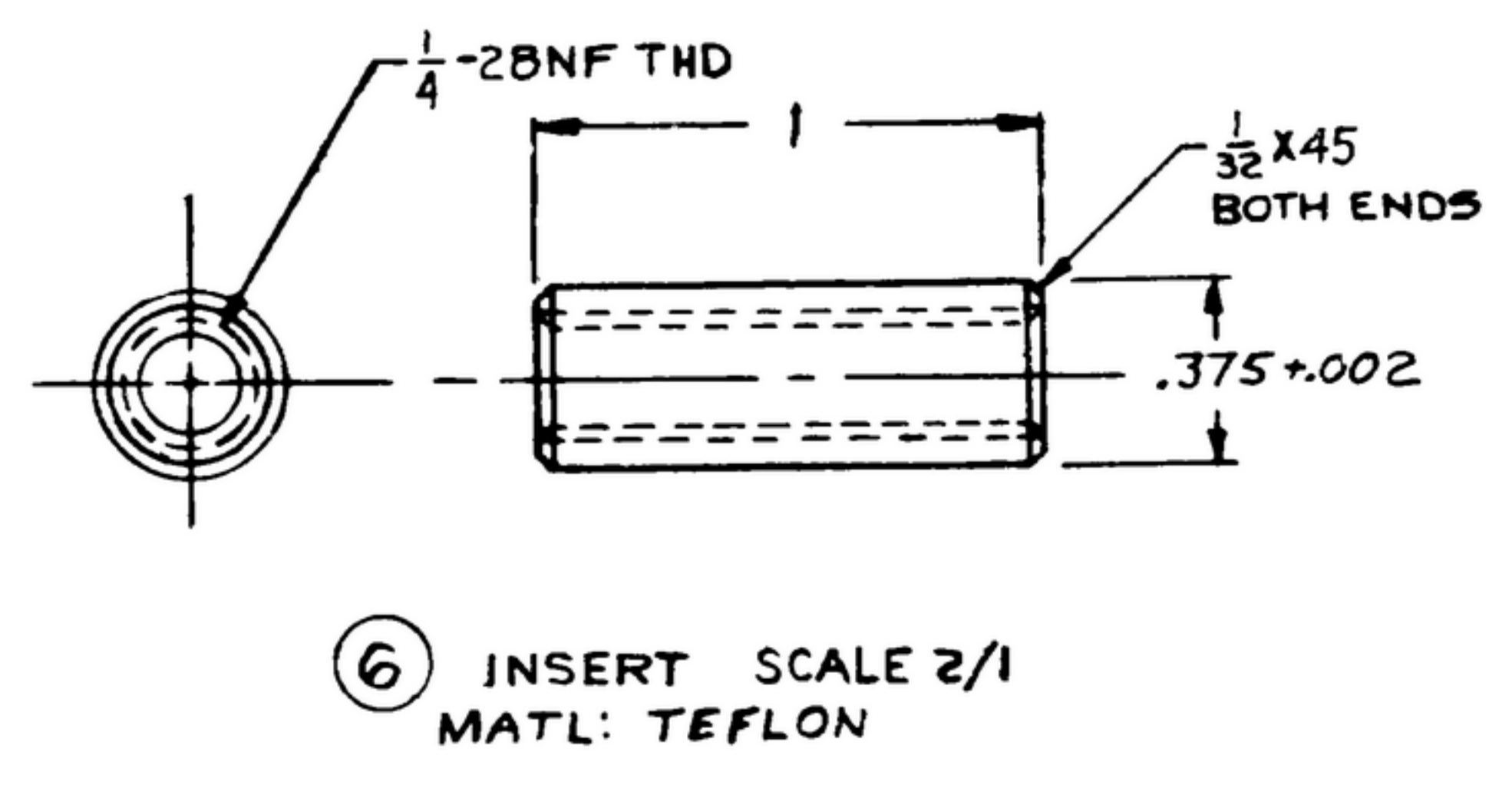
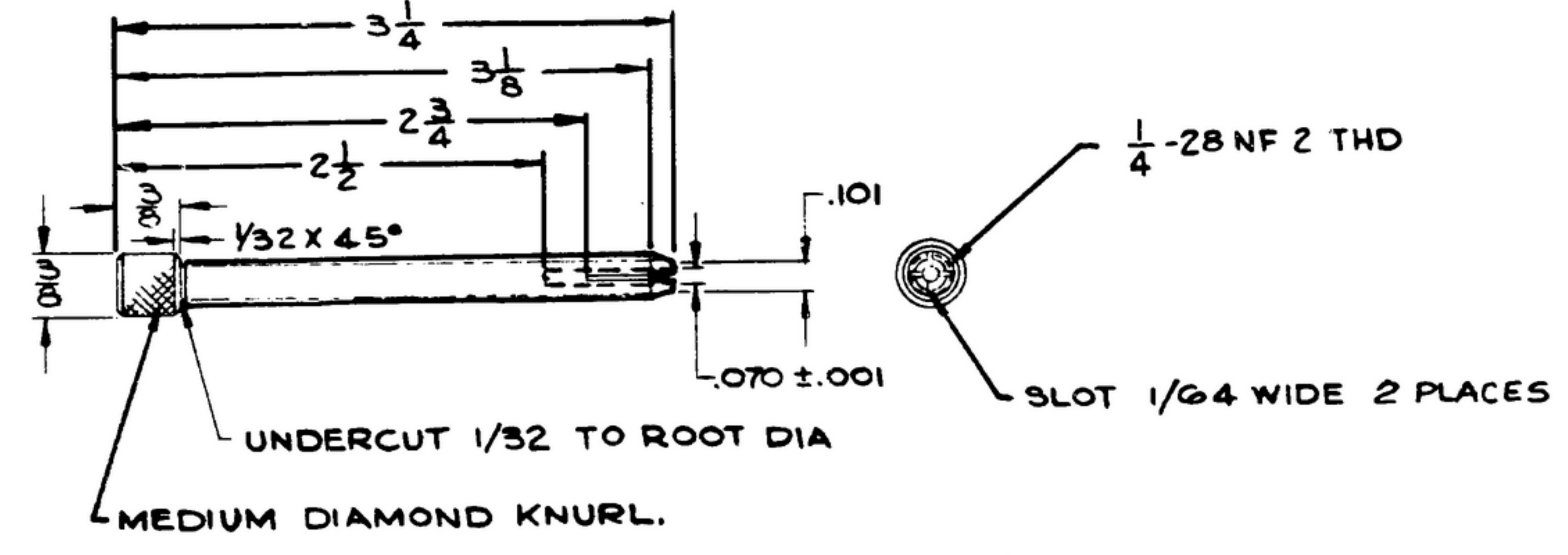


UNLESS OTHERWISE SPECIFIED, DIMENSIONS ARE GIVEN IN INCHES AND DECIMAL FRACTIONS UNLESS OTHERWISE SPECIFIED. DIMENSIONS ARE TO BE TAKEN TO THE CENTER OF THE HOLE UNLESS OTHERWISE SPECIFIED. DIMENSIONS ARE TO BE TAKEN TO THE CENTER OF THE HOLE UNLESS OTHERWISE SPECIFIED. DIMENSIONS ARE TO BE TAKEN TO THE CENTER OF THE HOLE UNLESS OTHERWISE SPECIFIED.

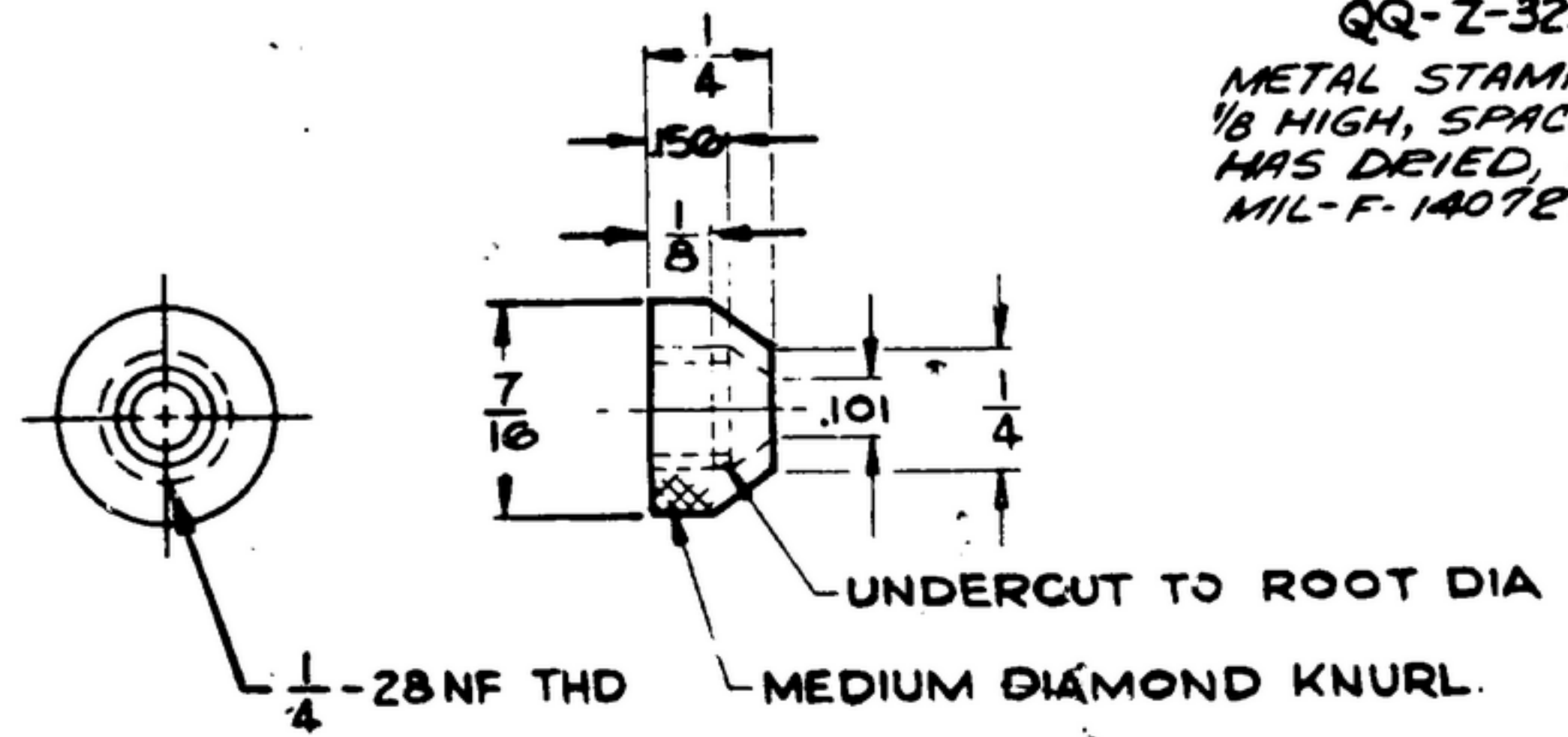
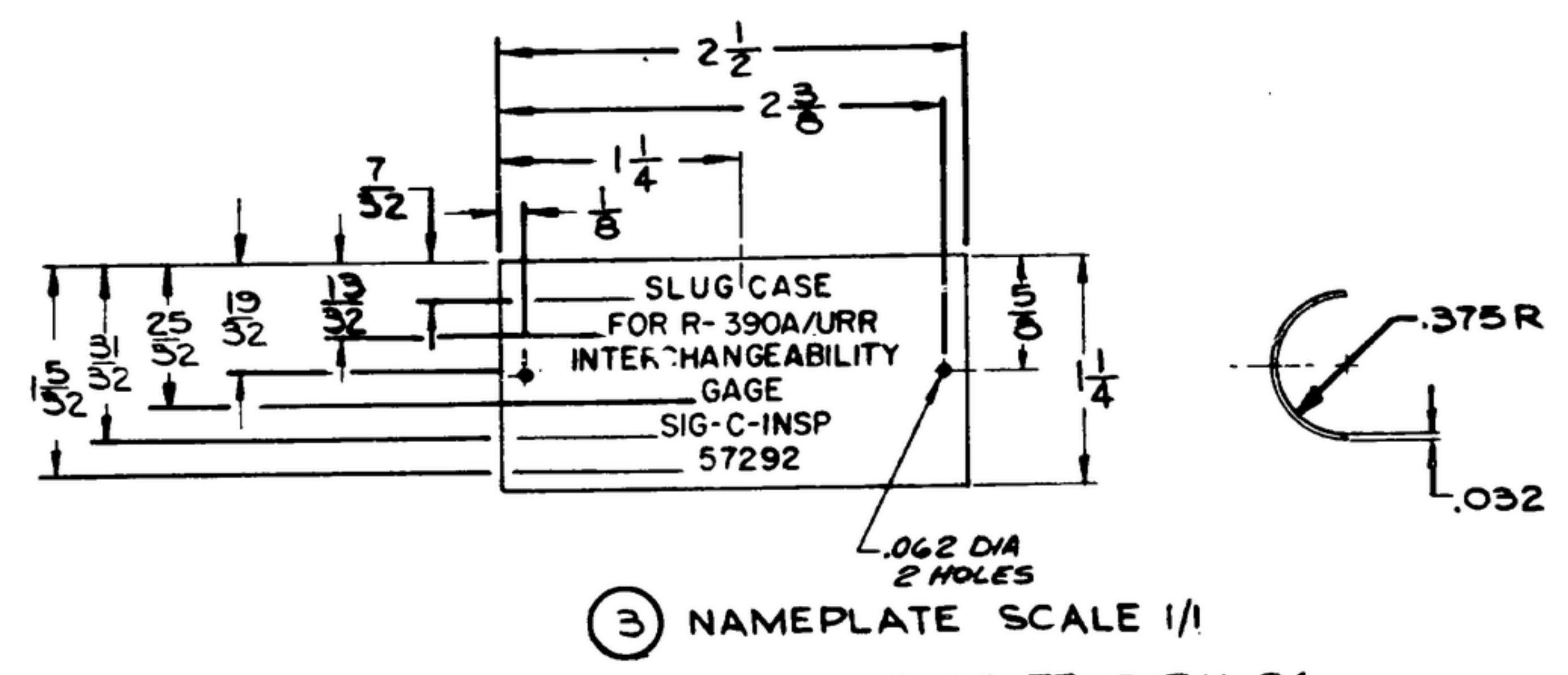
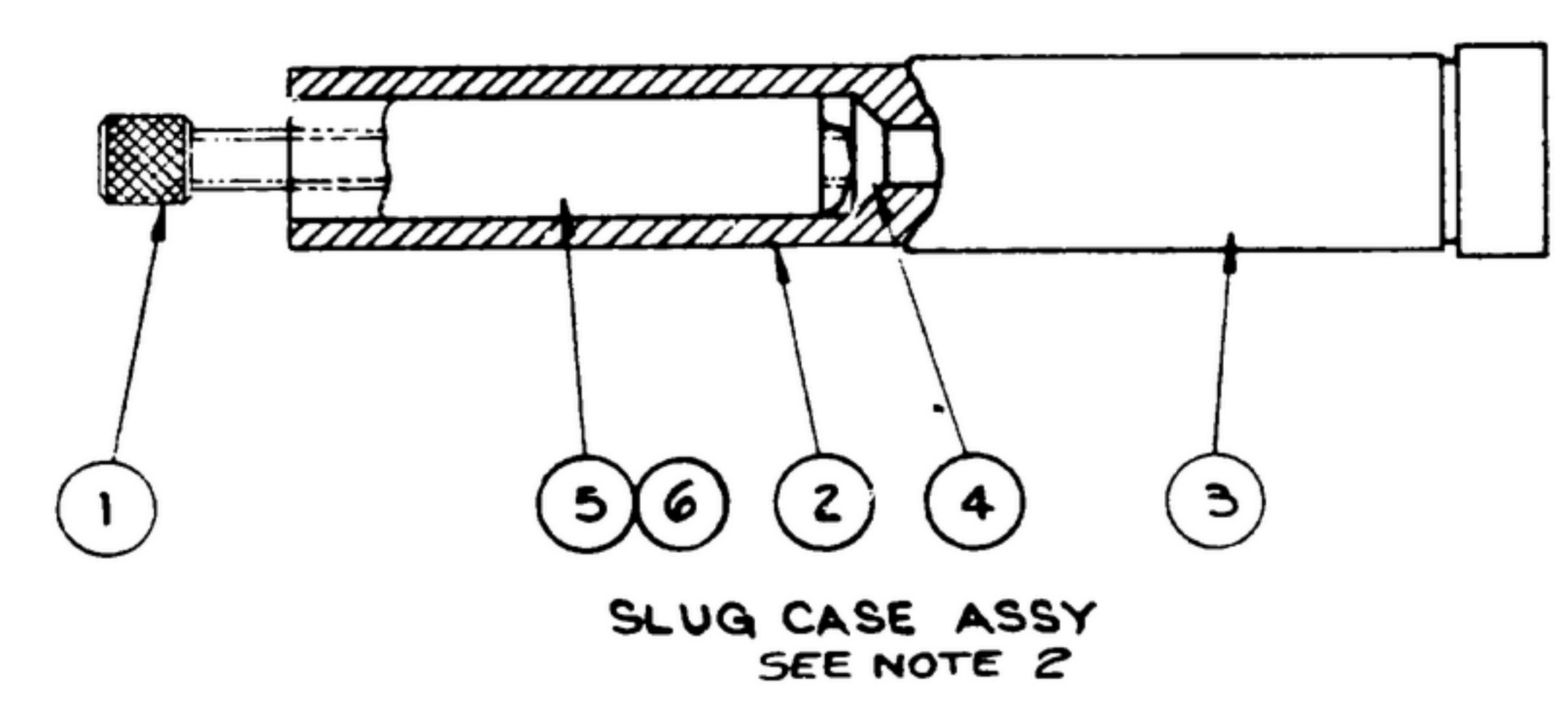
FOR INFORMATION ONLY, CONTRACTOR MAY AT HIS OPTION DEVIATE FROM THESE PROCESS DETAILS.



A PIN TEFLON INSERT SECURELY TO SLEEVE WITH .031 MUSIC WIRE IN TWO PLACES.



- NOTES:
- PARTS TO BE CLEAN & FREE OF BURRS, CHIPS, CRACKS AND SHARP EDGES.
 - PUSH FIT, SHAFT (ITEM 1) MUST BE A SNUG & SMOOTH RUNNING FIT THRU SLEEVE (ITEM 5).



| ITEM | QTY | SIG. PART NO. | DESCRIPTION | MATL | FIN SIZE OR SPEC | NOTE |
|------|-----|---------------|-------------|------|----------------------|------|
| 6 | 1 | -6 | INSERT | | .375 DIA x 1 LG | 1 |
| 5 | 1 | -5 | SLEEVE | | .500 DIA x 2 LG | 1 |
| 4 | 1 | -4 | NUT | | 3/8 x 7/16 DIA | 1 |
| 3 | 1 | -3 | NAMEPLATE | | 2 1/2 x 1 1/2 x .032 | 2 |
| 2 | 1 | -2 | SLEEVE | | 7/8 DIA x 5/8 | 1 |
| 1 | 1 | SC-D-58544-1 | SHAFT | | 3/8 x 3/4 x 28 | 1 |

| | | | | | |
|--|--|---|--|---|--|
| UNLESS OTHERWISE SPECIFIED DIMENSIONS ARE IN INCHES TOLERANCES ON FRACTIONS DECIMALS ANGLES ± 1/64 ± .005 ± 0° 30' | | MOTOROLA-INC. ORDER NO. 14385-PC-58-A1 SIGNAL CORPS | | DEPARTMENT OF THE ARMY SIGNAL CORPS ENGINEERING LABORATORIES FORT MONMOUTH NEW JERSEY | |
| DRAWN E.D.H. DATE 13 AUG 58 | | REVIEWED XXX | | SLUG CASE FOR R-390A/URR ASSY | |
| CHECKED W.J.P. 14 JAN 59 | | APPROVED CRJ | | SC-D-58544 | |
| APPROVED DPH 14 JAN 59 | | DATE 13 AUG 58 | | SCALE 1/1 | |