

J.J.S

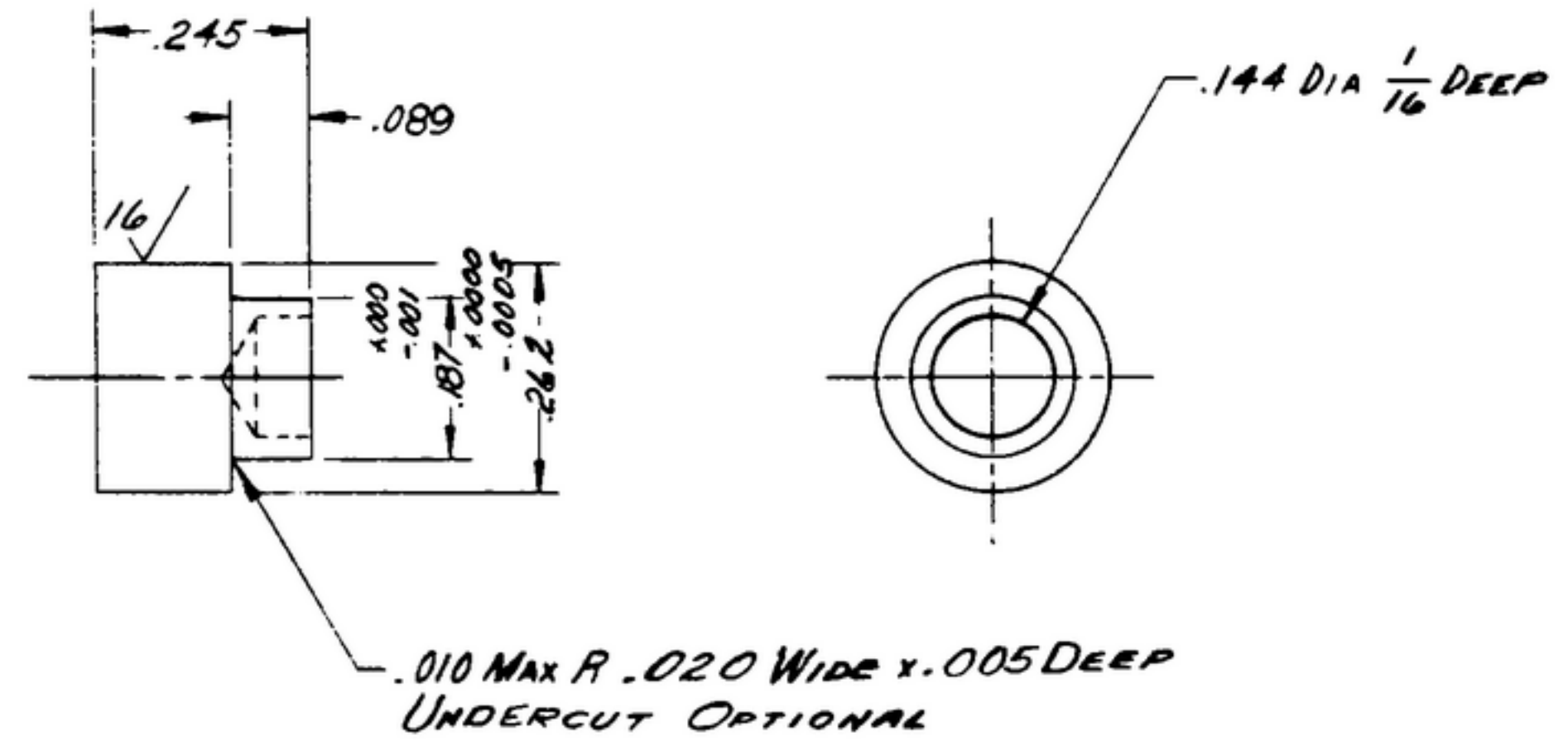
506-2001-002

K-391

NOTICE: When Government drawings, specifications, or other data are used for any purpose other than in connection with a definitely related Government procurement operation, the United States Government thereby incurs no responsibility or any obligation whatsoever, and the fact that the Government may have formulated, furnished, or in any way supplied the said drawings, specifications, or other data is not to be regarded by implication or otherwise as in any manner forming the holder or any other person or corporation, or conveying any rights or permission to manufacture, use or sell any patented invention that may in any way be related thereto.

NEXT ASSEMBLY	USED ON
SM-C-178737	SC-DL-178467
SM-C-178741	
SM-C-178743	
SM-B-178721	

REVISIONS			
SYM	DESCRIPTION	DATE	APPROVAL



STEEL, COMPOSITION FM, CONDITION B, PER SPEC AN-S-771

- 1- REMOVE ALL BURRS AND SHARP EDGES
- 2- PASSIVATE PROCESS 25 01 PER MIL-P-12011

ISSUE	ISSUE NO.	DESCRIPTION	DATE	BY	NOTE

UNLESS OTHERWISE SPECIFIED DIMENSIONS ARE IN INCHES TOLERANCES ON FRACTIONS ± 1/16 DECIMALS ± .005 ANGLES ± COMMERCIAL TOLERANCES APPLY TO STOCK SIZES ALL SURFACES ✓	AUTHENTICATION DRAWN 3/1852-BH-50-93 TRACED PHOTO CHECKED <i>lh</i> VERIFIED <i>PO BR</i> APPROVED <i>PO BR</i> REVIEWED <i>PME</i> DATE 9-JULY-53	PIN DEPARTMENT OF THE ARMY SIGNAL CORPS ENGINEERING LABORATORIES PORT MONMOUTH NEW JERSEY	SCALE 4/1 SEE NOTE 2	SM-B-178723
	DATE 9-JULY-53			

WHEN REFERRING TO THIS DRAWING STATE DRAWING NO., APPLICABLE ISSUE SYMBOL AND DATE