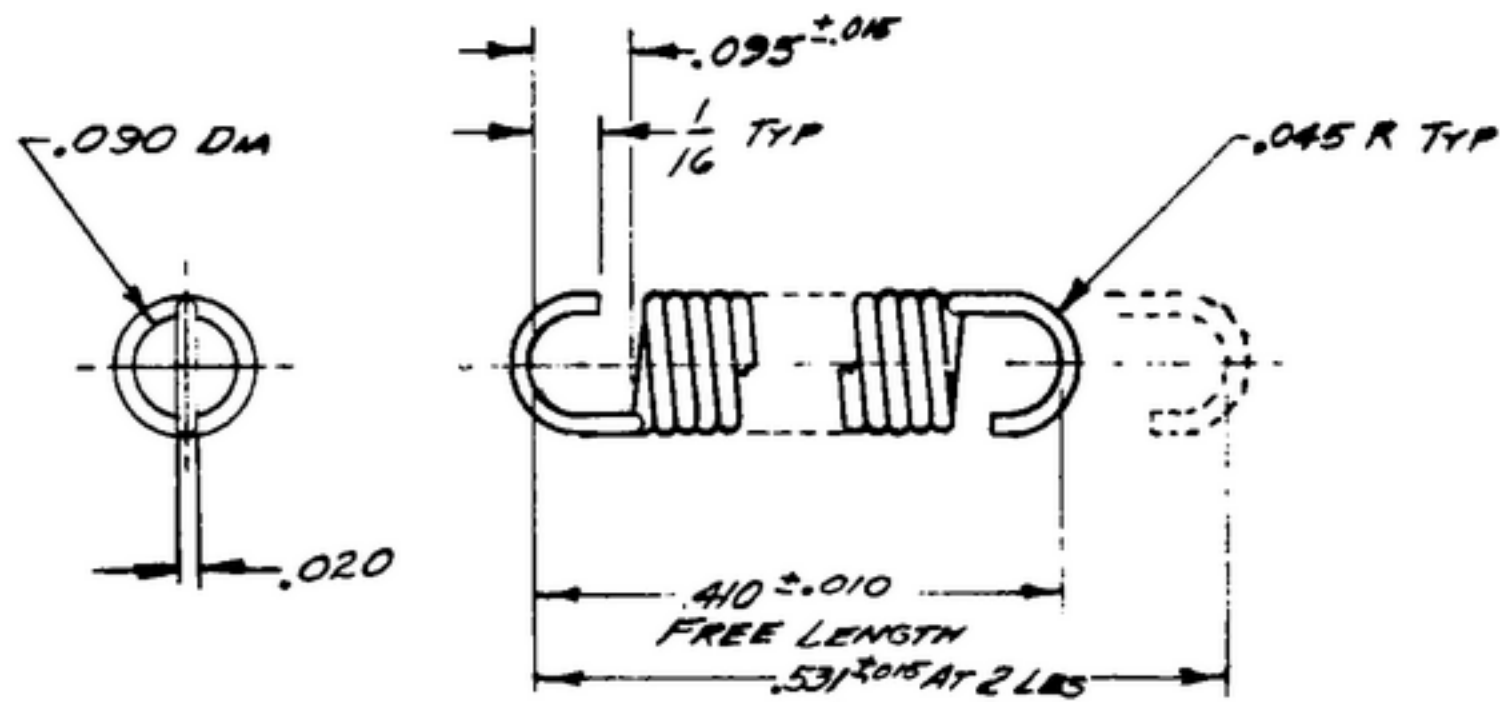


NOTICE: When Government drawings, specifications, or other data are used for any purpose other than in connection with a definitely related Government procurement operation, the United States Government thereby incurs no responsibility or any obligation whatsoever; and the fact that the Government may have formulated, furnished, or in any way supplied the said drawings, specifications, or other data is not to be regarded by implication or otherwise as in any manner licensing the holder or any other person or corporation, or conveying any rights or privileges to manufacture, use or sell any patented invention that may in any way be related thereto.

| NEXT ASSEMBLY | USED ON | SWE * APPROVAL | REVISIONS | | | APPROVAL |
|---------------|--------------|----------------------|----------------|---|----------|----------------------------|
| SYM | DESCRIPTION | DATE | | | | |
| SM-D-178826 | SC-DL-178467 | | | | | |
| SM-B-179062 | | S/P 100428 | A ₂ | A ₁ - WIRE SPEC WAS "AN-W-17", ADDED FINISH NOTE; A ₂ - ADDED APPL SM-D-343600, SM-D-248975, SC-DL-248775 | 8 OCT 59 | 42428-PC-59-11-51 REV'D |
| SM-D-343600 | SC-DL-248775 | | | | | |
| SM-D-248975 | | | | | | |

(A₂)



NOTES

(A₁)

1. WIRE, SPRING STEEL PER SPEC. QQ-W-470
2. NUMBER OF COILS 10 1/2
MEAN DIA .110
DEFLECTION 16.5 LBS PER INCH
FIBER STRESS AT 3.5 LBS - 120,000 LBS
NO INITIAL TENSION
OPTIONAL, RIGHT OR LEFT HAND WOUND
CLOSE WOUND COILS
3. FINISH M262 AND E200 PER SPEC MIL-F-14072

NOTE:

*FOR INFORMATION ONLY, CONTRACTOR MAY AT HIS OPTION DEVIATE FROM THESE PROCESS DETAILS

| UNLESS OTHERWISE SPECIFIED | AUTHENTICATION | DESCRIPTION | DATE | SPEC | NOTE |
|--|--|-------------|-----------|-----------------------|--|
| DIMENSIONS ARE IN INCHES TOLERANCES ON FRACTIONS ± 1/64 DECIMALS ± .005 ANGLES ± COMMERCIAL TOLERANCES APPLY TO STOCK SIZES ALL SURFACES ✓ | DRAWN 21852-PH 50-93 TRACED PHOTO CHECKED R VERIFIED P.D.B.R. APPROVED P.D.B.R. REVIEWED PME DATE 14 JUL 53 | SPRING | SCALE 4/1 | 90-4570-90-485-96-585 | DEPARTMENT OF THE ARMY SIGNAL CORPS ENGINEERING LABORATORIES FORT MONMOUTH NEW JERSEY SM-B-178829 |