

REF. 5

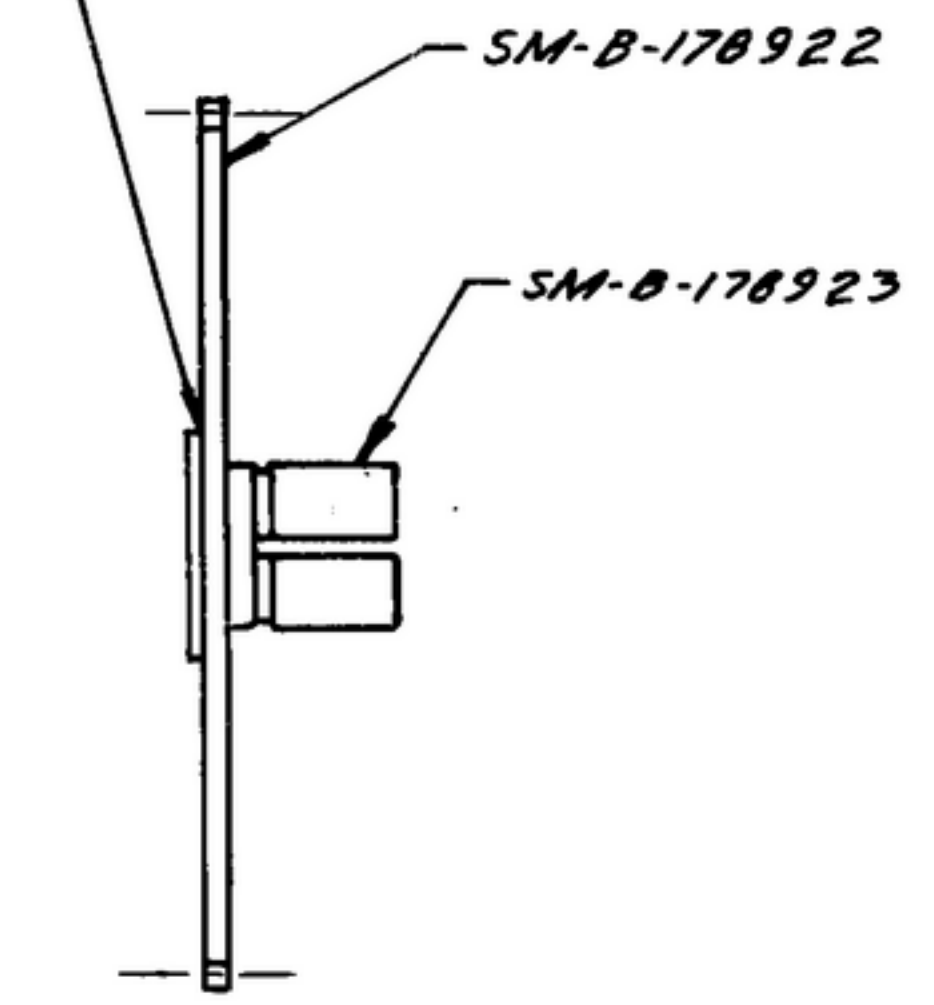
506-1928-002 P. 241

NOTICE: WHEN GOVERNMENT DRAWINGS, SPECIFICATIONS, OR OTHER DATA ARE USED FOR ANY PURPOSE OTHER THAN IN CONNECTION WITH A DEFINITELY RELATED GOVERNMENT PROCUREMENT OPERATION, THE UNITED STATES GOVERNMENT THEREBY INCURS NO RESPONSIBILITY NOR ANY OBLIGATION WHATSOEVER, AND THE FACT THAT THE GOVERNMENT MAY HAVE FORMULATED, FURNISHED, OR IN ANY WAY SUPPLIED THE SAID DRAWINGS, SPECIFICATIONS, OR OTHER DATA IS NOT TO BE REGARDED BY IMPLICATION OR OTHERWISE AS IN ANY MANNER LICENSING THE HOLDER OR ANY OTHER PERSON OR CORPORATION, OR CONVEYING ANY RIGHTS OR PERMISSION TO MANUFACTURE, USE, OR SELL ANY PATENTED INVENTION THAT MAY IN ANY WAY BE RELATED THERETO.

NOTE:
*FOR INFORMATION ONLY, CONTRACTOR MAY AT HIS OPTION DEVIATE FROM THESE PROCESS DETAILS

*SWE APPROVAL		REVISIONS			
SYM	PR	SYM	DESCRIPTION	DATE	APPROVAL
X	X	A ₂	A ₁ -FINISH SPEC. WAS "MIL-P-12011" SOLDER SPEC WAS CLASS 4 OR 6, O-F-499 WAS SIF4, ADDED FLUX AND SOLDER TO L/M. A ₂ -ADDED APPL. SM-D-343600, SM-D-248975, SC-DL-248775.	9 OCT. 59	42428-PC- 59-AI-51 REV'D. PME
		B ₁	B ₁ -10S111330-5 WAS 10S130020	17 MAY 60	42428-PC-59 REV'D. PME

SILVER SOLDER THIS SIDE ONLY



NOTES:

- 1- AXIAL RUNOUT SHALL NOT EXCEED .005 TIR AT 5/16 RADIUS
- 2- SILVER SOLDER SHALL BE PER SPEC QQ-S-561, CLASS 4, USING FLUX PER US NAVY SPEC O-F-499.
- 3- FINISH: E300 PER SPEC. MIL-F-14072.

B ₁	10S130298 AIR	FLUX	2		
	10S111330-5 AIR	SOLDER, SILVER	2		
	1 SM-B-178923	HUB			
	1 SM-B-178922	GEAR			
	REQD	PART NO.	DESCRIPTION	MATL	MATL SPEC

UNLESS OTHERWISE SPECIFIED		AUTHENTICATION		GEAR ASSY	SIGNAL CORPS ENGINEERING LABORATORIES FORT MONMOUTH NEW JERSEY
DIMENSIONS ARE IN INCHES		DRAWN 21852-PH-50-93			
TOLERANCES ON FRACTIONS DECIMALS ANGLES		TRACED PHOTO			
		CHECKED <i>[Signature]</i>			
		VERIFIED P.D.B.R.			
		APPROVED P.D.B.R.			
		REVIEWED PME			
		DATE 9-AUG-1953		SCALE 2/1	-SEE NOTE 2
APPLICATION					
NEXT ASSY		USED ON			
SM-D-343600		SM-D-248975 SC-DL-248775			
SM-B-178919		SC-DL-178967			
A ₂					
		SM-B-178921			

WHEN REFERRING TO THIS DRAWING STATE DRAWING NO., APPLICABLE ISSUE SYMBOL, IF ANY, AND DATE