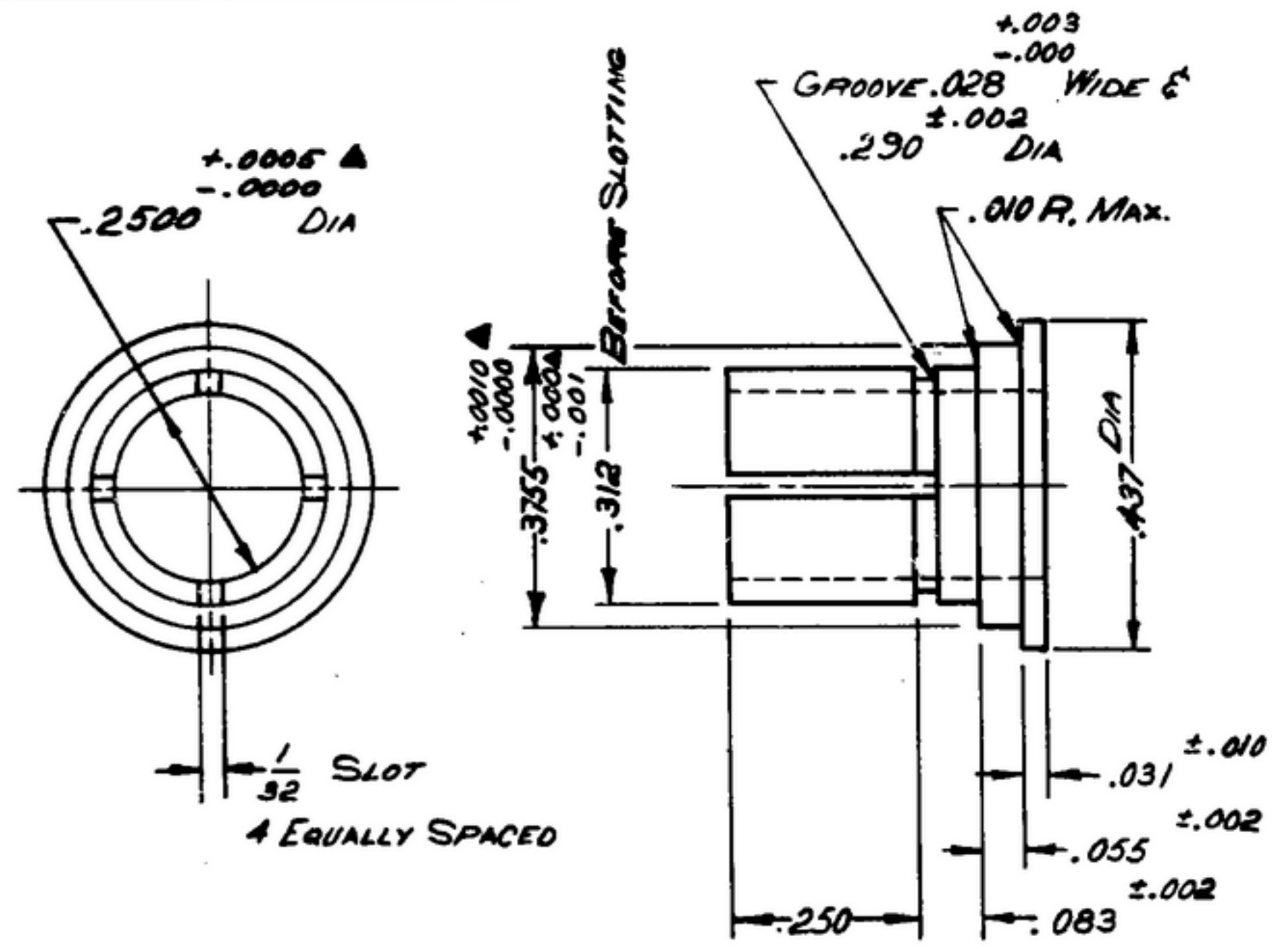


NOTICE: When Government drawings, specifications, or other data are used for any purpose other than in connection with a definitely related Government procurement operation, the United States Government hereby incurs no responsibility or obligation whatsoever and the fact that the Government may have furnished, furnished, or in any way supplied the said drawings, specifications, or other data is not to be regarded by implication or otherwise as in any manner constituting the holder or any other person or corporation, or conveying any rights or permission to manufacture, use or sell any patented invention that may in any way be related thereto.

REV	SYM	DESCRIPTION	DATE	APPROVAL
A ₂		A ₁ - STEEL SPEC WAS *COMP FM PER SPEC AN-S-771 A ₂ - ADDED APPL SM-B-178921, SC-DL-248775	10 OCT. 59	42428-PC-59-A1-51 REV: B PHE



- NOTES: (A₁)
1. STEEL, COMPOSITION 3038 CONDITION B, PER SPEC MIL-S-7720
 2. - ECCENTRICITY BETWEEN DIAMETERS MARKED ▲ ON SAME CENTERLINE SHALL NOT EXCEED .002 TIR, EXCEPT SLOTTED AREA.
 3. - SLIGHT BURRS PERMISSIBLE IN 1/32 SLOTS, REMOVE ALL OTHER BURRS AND SHARP EDGES.

NOTE:
*FOR INFORMATION ONLY,
CONTRACTOR MAY AT HIS
OPTION DEVIATE FROM
THESE PROCESS DETAILS

<p>UNLESS OTHERWISE SPECIFIED</p> <p>DIMENSIONS ARE IN INCHES</p> <p>TOLERANCES ON</p> <p>FRACTIONS ± 1/64</p> <p>DECIMALS ± .005</p> <p>ANGLES ±</p> <p>COMMERCIAL TOLERANCES APPLY TO STOCK SIZES</p> <p>ALL SURFACES ✓</p>	<p>AUTHENTICATOR</p> <p>21852-PH-60-39</p> <p>TRACED PHOTO</p> <p>CHECKED [Signature]</p> <p>VERIFIED P.D.B.R.</p> <p>APPROVED P.D.B.R.</p> <p>REVIEWED P.M.E.</p> <p>DATE 29-JUNE-59</p>	<p>DESCRIPTION</p> <p>HUB</p> <p>SCALE 1/1</p> <p>FINISH</p>	<p>DEPARTMENT OF THE ARMY</p> <p>SIGNAL CORPS ENGINEERING LABORATORY</p> <p>FORT MONMOUTH NEW JERSEY</p> <p>SM-B-178923</p>
---	---	--	---