

EQUIP. TYPE *R39GALIRR* EXP. NO.

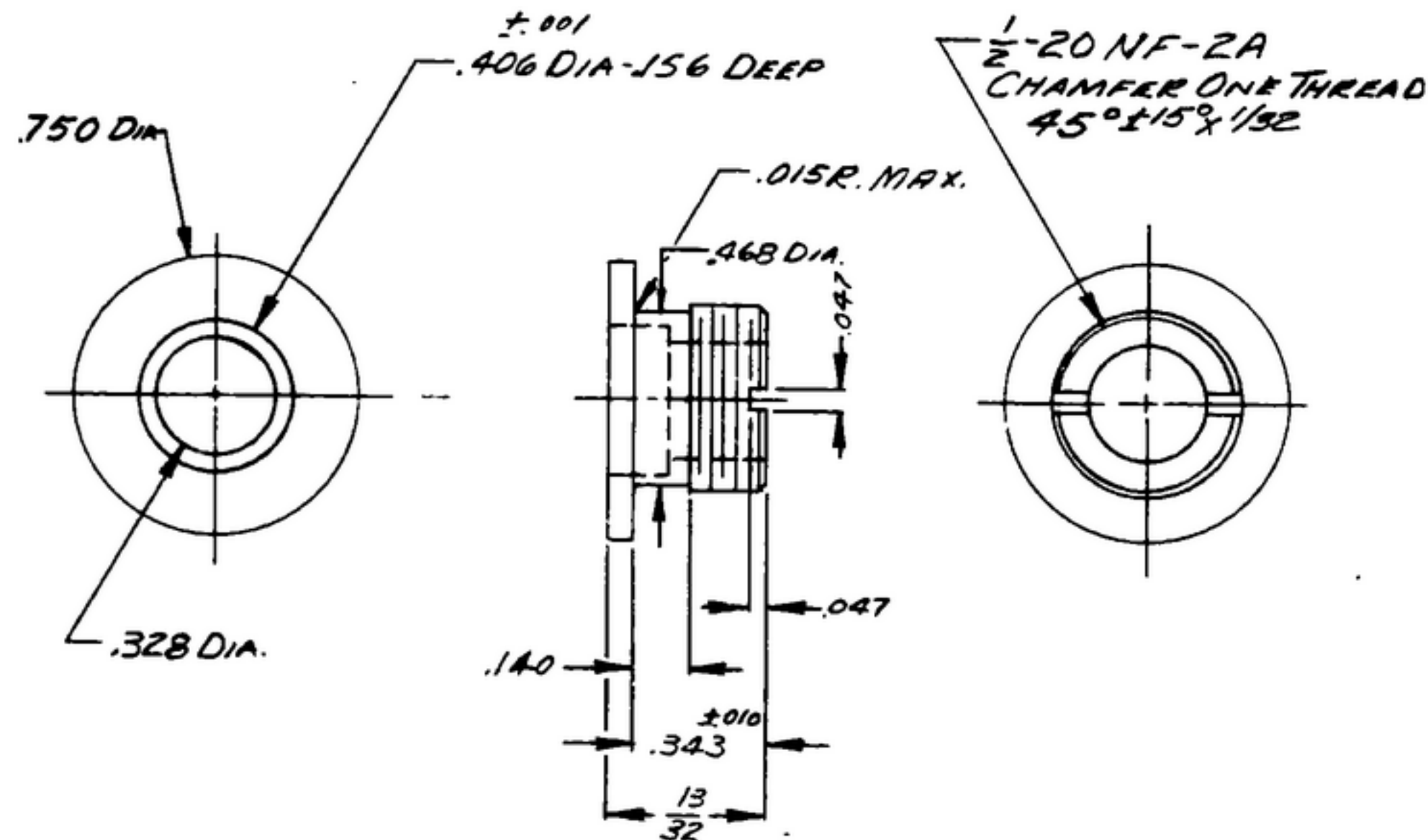
Col 5061830002

NOTICE: WHEN GOVERNMENT DRAWINGS, SPECIFICATIONS, OR OTHER DATA ARE USED FOR ANY PURPOSE OTHER THAN IN CONNECTION WITH A SPECIFICALLY RELATED GOVERNMENT PROCUREMENT OPERATION, THE UNITED STATES GOVERNMENT THEREBY INCURS NO RESPONSIBILITY FOR ANY OBLIGATION WHATSOEVER, AND THE FACT THAT THE GOVERNMENT MAY HAVE FORMULATED, FURNISHED, OR IN ANY WAY SUPPLIED THE SAID DRAWINGS, SPECIFICATIONS, OR OTHER DATA IS NOT TO BE REGARDED BY IMPLICATION OR OTHERWISE AS IN ANY MANNER LICENSING THE HOLDER OR ANY OTHER PERSON OR CORPORATION, OR CONVEYING ANY RIGHTS OR PERMISSIONS TO MANUFACTURE, USE, OR SELL ANY PATENTED INVENTION THAT MAY IN ANY WAY BE RELATED THERETO.

THIS DOCUMENT HAS BEEN PURCHASED BY THE GOVERNMENT AND MAY BE REPRODUCED AND USED IN CONNECTION WITH ANY GOVERNMENT PROCUREMENT OR MAINTENANCE OPERATION.

*FOR INFORMATION ONLY. CONTRACTOR MAY AT HIS OPTION DEVIATE FROM THESE PROCESS DETAILS.

REVISIONS			
SYM	DESCRIPTION	DATE	APPROVAL



NOTES:
 1. PART MUST BE FREE OF BURRS & SHARP EDGES.
 2. ALL SCREW THREADS PER BUREAU OF STANDARDS HANDBOOK H25.

CRCS, COMP 3035, COND B, SURFACE COND e, PER SPEC MIL-S-7720

FINISH: E300 PER SPEC MIL-F-1407E
**COLLINS 558 0025 00*

COLLINS PART NO.	ITEM	REQD	PART NO.	DESCRIPTION	MATL	MATL SPEC
------------------	------	------	----------	-------------	------	-----------

LIST OF MATERIAL

COLLINS PART NO. 558 011 002

COLLINS NO.	QTY	NEXT ASSY	USED ON
<i>558 011 002</i>	<i>1</i>	<i>SM-B-248846</i>	<i>SC-DL-248775</i>

APPLICATION

DRAWN *R.R.B.* CHECKED *William* APPROVED

UNLESS OTHERWISE SPECIFIED:
 DECIMAL DIMENSIONS INCLUDING HOLE SIZES MAY VARY ±.005
 FRACTIONAL DIMENSIONS INCLUDING HOLE SIZES MAY VARY ±1/64
 MACHINED ANGLES MAY VARY ±1°
 SHEARED ANGLES MAY VARY ±.25°
 BROKEN ANGLES MAY VARY ±1°
 ECCENTRICITY BETWEEN ANY DIAMETERS ON THE SAME CENTERLINE SHALL NOT EXCEED .010 TOTAL INDICATOR READING.
 ALL DIMENSIONS ARE FINISH DIMENSIONS INCLUDING APPLIED FINISH AND ARE GIVEN IN INCHES.

COLLINS RADIO CO.
SEAR RAPIDS, IOWA
1A21A-PH
51-93

SIGNAL CORPS
 REVIEWED *PME*
 APPROVED *HLV*
PME

DATE *5 DEC 1955* SCALE *R/1*

RETAINER-BEARING

DEPARTMENT OF THE ARMY
 SIGNAL CORPS ENGINEERING
 LABORATORIES
 FORT MONMOUTH NEW JERSEY

SM-B-248845