

EQUIP. TYPE *R9901/4RR* EXP. NO.

*COL 540-7496-002*

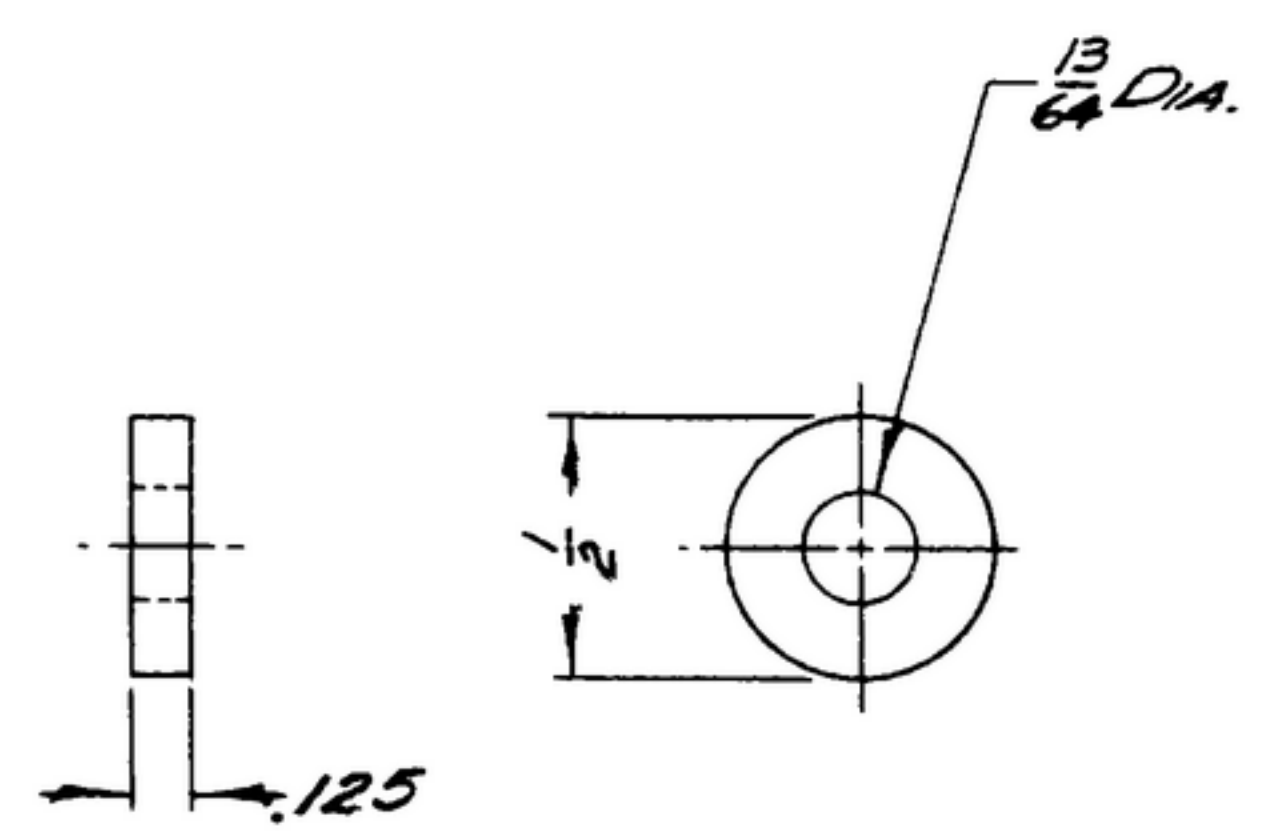
NOTICE: WHEN GOVERNMENT DRAWINGS, SPECIFICATIONS, OR OTHER DATA ARE USED FOR ANY PURPOSE OTHER THAN IN CONNECTION WITH A DEFINITELY RELATED GOVERNMENT PROCUREMENT OPERATION, THE UNITED STATES GOVERNMENT THEREBY INCURS NO RESPONSIBILITY FOR ANY DELICATION WHATSOEVER AND THE FACT THAT THE GOVERNMENT MAY HAVE FORMULATED, PROVIDED, OR IN ANY WAY SUPPLIED THE SAID DRAWINGS, SPECIFICATIONS, OR OTHER DATA IS NOT TO BE REGARDED BY REPLICATION OR OTHERWISE AS IN ANY MANNER LICENSEING THE HOLDER OR ANY OTHER PERSON OR CORPORATION, OR CONFESSING ANY RIGHTS OR PRIVILEGES TO MANUFACTURE, USE, OR SELL ANY PATENTED INVENTION THAT MAY IN ANY WAY BE RELATED THERETO.

THIS DOCUMENT HAS BEEN PURCHASED BY THE GOVERNMENT AND MAY BE REPRODUCED AND USED IN CONNECTION WITH ANY GOVERNMENT PROCUREMENT OR MAINTENANCE OPERATION.

\* FOR INFORMATION ONLY. CONTRACTOR MAY AT HIS OPTION DEVIATE FROM THESE PROCESS DETAILS.

REVISIONS

SYM	DESCRIPTION	DATE	APPROVAL
<del>A<sub>1</sub></del>	<del>A<sub>1</sub>-ADDED APPL. SM-D-343600</del>	<del>27 JAN. 60</del>	<del>42428-PC-59-A1-51 REV'D. PME</del>
<del>A<sub>1</sub></del>	<del>CA 84663</del>		
<del>B<sub>2</sub></del>	<del>CA 84682</del>		
B <sub>2</sub>	B <sub>1</sub> -DELETED PLASTIC TYPE PBE PER SPEC. MIL-P-3115. B <sub>2</sub> -ADDED NOTE FOR MATERIAL.	23 FEB. 60	42428-PC-59 REV'D. PME



NOTES: (B<sub>2</sub>)

- MATERIAL PLASTIC TYPE PBE FORM R PER SPEC. MIL-P-79.

(B<sub>1</sub>)

(A<sub>1</sub>)

COLLINS PART NO.	TYPE	REQD	PART NO.	DESCRIPTION	QTY	NATL SPEC
LIST OF MATERIAL						
-COLLINS PART NO. 558-0284-002						

DRAWN <i>HENRY</i> CHECKED <i>Blm</i> APPROVED _____ UNLESS OTHERWISE SPECIFIED: DECIMAL DIMENSIONS INCLUDING HOLE SIZES MAY VARY ±.008 FRACTIONAL DIMENSIONS INCLUDING HOLE SIZES MAY VARY ±1/64 MACHINED ANGLES MAY VARY ±.1° SHEARED ANGLES MAY VARY ±.25° BROKEN ANGLES MAY VARY ±.1° ECCENTRICITY BETWEEN ANY DIAMETERS ON THE SAME CENTERLINE SHALL NOT EXCEED .010 TOTAL INDICATOR READING. ALL DIMENSIONS ARE FINISH DIMENSIONS INCLUDING APPLIED FINISH AND ARE GIVEN IN INCHES.				-COLLINS RADIO CO.- -SEAR RAPIDS, IOWA- <i>14214-PH</i> <i>51-93</i> SIGNAL CORPS REVIEWED <i>PME</i> APPROVED <i>HLV</i> <i>PME</i> DATE <i>6 Dec 55</i> SCALE <i>2/1</i>	<b>BUSHING-HELICAL GEAR</b>	DEPARTMENT OF THE ARMY SIGNAL CORPS ENGINEERING LABORATORIES FORT MONMOUTH NEW JERSEY <b>SM-B-248935</b>
COLLINS NO. <i>558-0324-004</i> SPEC <i>L</i> APPLICATION	SM-D-343600 SM-D-248935 SC-DL-248935	NEXT ASSY USED ON				