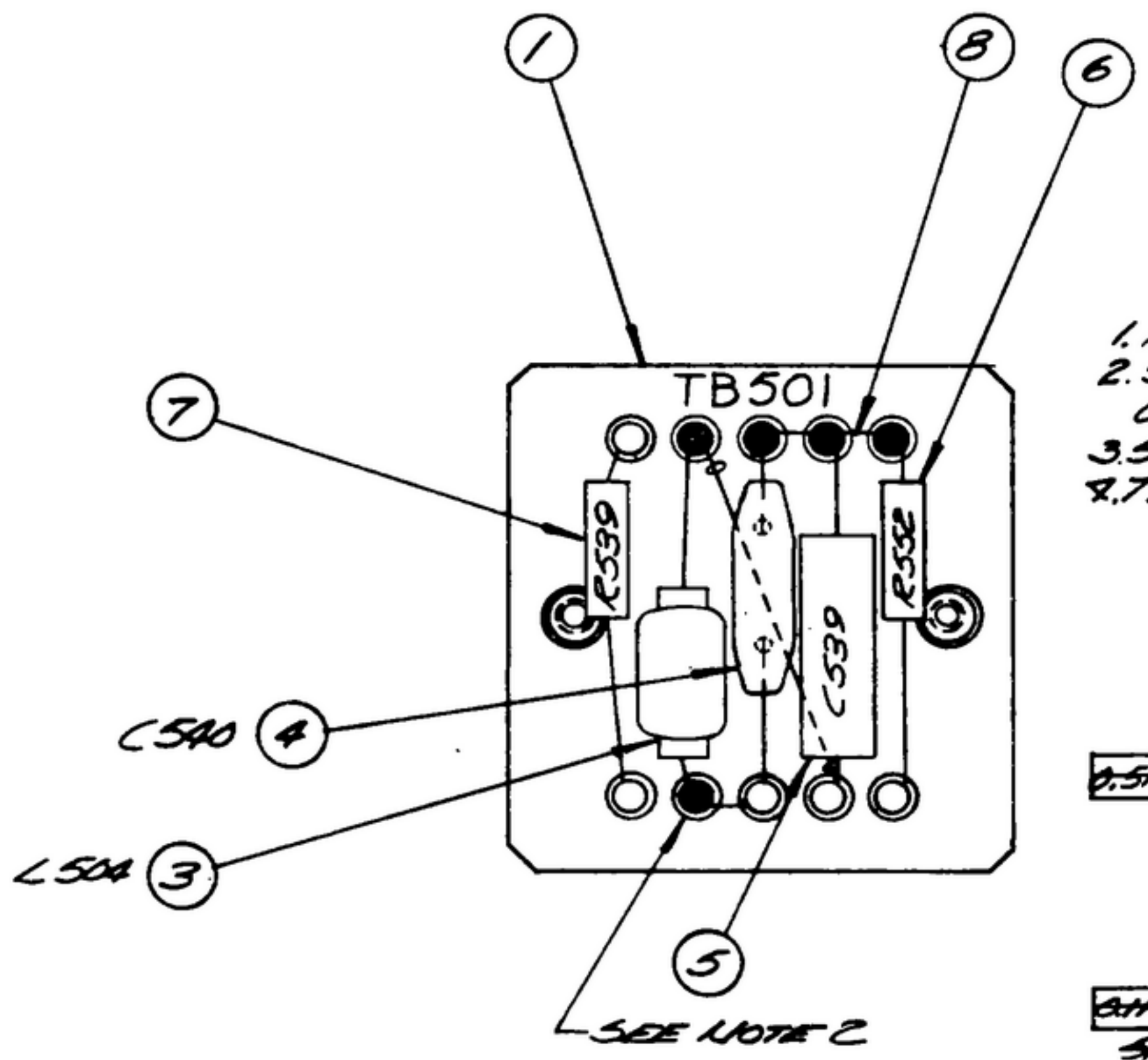


NOTICE: WHEN GOVERNMENT REQUIREMENTS, SPECIFICATIONS, OR OTHER DATA ARE USED FOR ANY PURPOSE OTHER THAN IN CONNECTION WITH A DEFINITELY RELATED GOVERNMENT PROCUREMENT OPERATION, THE UNITED STATES GOVERNMENT THEREBY INCURS NO RESPONSIBILITY NOR ANY OBLIGATION WHATSOEVER; AND THE FACT THAT THE GOVERNMENT MAY HAVE FORMULATED, FURNISHED, OR IN ANY WAY SUPPLIED THE SAID REQUIREMENTS, SPECIFICATIONS, OR OTHER DATA IS NOT TO BE REGARDED BY SUPPLIERS OR OTHERS AS IN ANY MANNER LICENSES THE HOLDER OR ANY OTHER PERSON OR CORPORATION, OR CONVEYING ANY RIGHTS OR PERMISSIONS TO MANUFACTURE, USE, OR SELL ANY PATENTED INVENTION THAT MAY IN ANY WAY BE RELATED THERETO.

THIS DOCUMENT HAS BEEN FURNISHED BY THE GOVERNMENT AND MAY BE REPRODUCED AND USED IN CONNECTION WITH ANY GOVERNMENT PROCUREMENT OR SAMPLING OPERATION.

* FOR INFORMATION ONLY. CONTRACTOR MAY AT HIS OPTION DEVIATE FROM THESE PROCESS DETAILS.

REVISIONS			
SYM	DESCRIPTION	DATE	APPROVAL



NOTES:
 1. ALL CONNECTIONS ARE TO BE MECHANICALLY SECURE.
 2. SOLDER ONLY TERMINALS BLACKENED IN PER SPEC MIL-5-6872 USING ROSIN CORE SOLDER PER SPEC QQ-5-571, COMP 5N/50.
 3. SYMBOL \bigcirc INDICATES INSULATION (2)
 4. TYPE 5, NO. 20 DRAWN/ANNEALED, TIN COATED.

COLLINS PART NO.	ITEM	REQD	PART NO.	DESCRIPTION	MATL	MATL SPEC	NOTES
4212020 00	8	AS	SM-B-249001-1	WIRE		MIL-W-3861	4
7451352 00	7	1	RC206F102K	RESISTOR		MIL-R-11	
7451286 00	6	1	RC206F270K	RESISTOR			
5590430 002	5	1	SM-B-2832431	RESISTOR			
5590405 002	4	1	SM-B-283227	CAPACITOR-FIXED			
5590457 003	3	1	SM-C-249220	CHOKE-R.F.			
5590417 002	2	22	SM-C-249213-1	TUBING			
5590350 002	1	1	SM-B-249000	BOARD ASSY-I.F.			

LIST OF MATERIAL - COLLINS PART NO. 553-0351-002

DRAWN <i>LIPPISCH</i>				CHECKED <i>BG</i>		APPROVED		-COLLINS-RADIO CO. -SEAN-RAFFES-198A 14214-PH-51-93		DEPARTMENT OF THE ARMY SIGNAL CORPS ENGINEERING LABORATORIES FORT MONMOUTH NEW JERSEY	
UNLESS OTHERWISE SPECIFIED: DECIMAL DIMENSIONS INCLUDING HOLE SIZE MAY VARY ±.005 FRACTIONAL DIMENSIONS INCLUDING HOLE SIZE MAY VARY ±1/64 MACHINED ANGLES MAY VARY ±.1° SWEARED ANGLES MAY VARY ±.25° BROKEN ANGLES MAY VARY ±1.°				SIGNAL CORPS		REVIEWED <i>PME</i>		BOARD ASSY-I.F.			
ECCENTRICITY BETWEEN ANY DIAMETERS ON THE SAME CENTERLINE SHALL NOT EXCEED .010 TOTAL INDICATOR READING. ALL DIMENSIONS ARE FINISH DIMENSIONS INCLUDING APPLIED FINISH AND ARE GIVEN IN INCHES.				APPROVED <i>HLV</i> <i>PME</i>		DATE <i>3 MARCH 58</i>					
APPLICATION				DATE <i>3 MARCH 58</i>		SCALE <i>2/1</i>		5M-B-249001			