

EQUIP. TYPE *R390AURR* EXP. NO.

COL. 540-7585-002

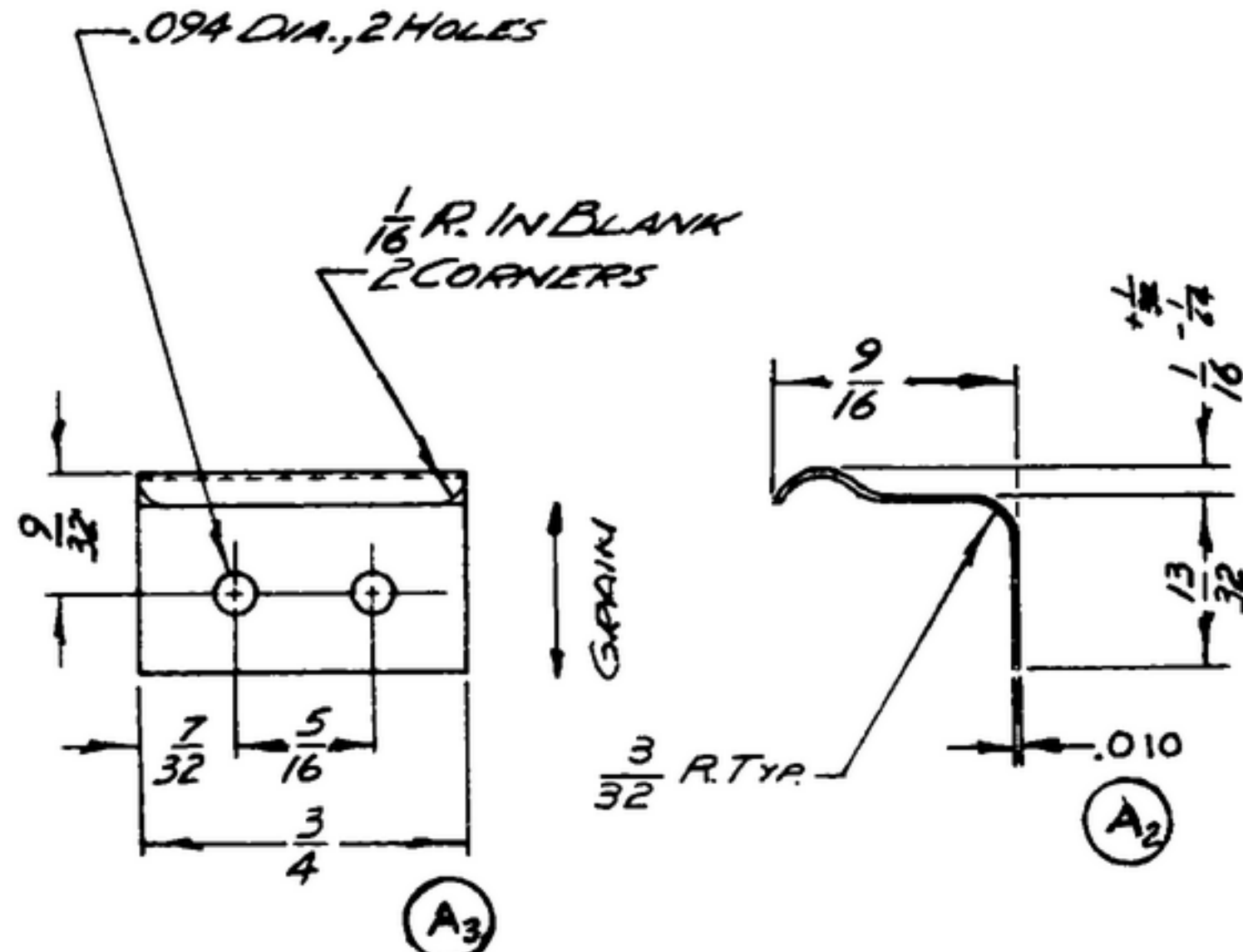
NOTICE: WHEN GOVERNMENT DRAWINGS, SPECIFICATIONS, OR OTHER DATA ARE USED FOR ANY PURPOSE OTHER THAN IN CONNECTION WITH A DEFINITELY RELATED GOVERNMENT PROCUREMENT OPERATION, THE UNITED STATES GOVERNMENT THEREBY INCURS NO RESPONSIBILITY FOR ANY OBLIGATION WHATSOEVER AND THE FACT THAT THE GOVERNMENT MAY HAVE FORMULATED, FURNISHED, OR IN ANY WAY SUPPLIED THE SAID DRAWINGS, SPECIFICATIONS, OR OTHER DATA IS NOT TO BE DEEMED BY IMPLICATION OR OTHERWISE AS IN ANY MANNER LICENSES THE HOLDER OR ANY OTHER PERSON OR CORPORATION, OR CONVEYS ANY RIGHTS OR PERMISSION TO MANUFACTURE, USE, OR SELL ANY PATENTED INVENTION THAT MAY IN ANY WAY BE RELATED THERETO.

THIS DOCUMENT HAS BEEN PURCHASED BY THE GOVERNMENT AND MAY BE REPRODUCED AND USED IN CONNECTION WITH ANY GOVERNMENT PROCUREMENT OR MAINTENANCE OPERATION.

* FOR INFORMATION ONLY. CONTRACTOR MAY AT HIS OPTION DEVIATE FROM THESE PROCESS DETAILS.

~~SWE APPROVAL~~
~~SYM PR10042-B~~

REVISIONS			
SYM	DESCRIPTION	DATE	APPROVAL
A ₃	A ₁ WAS QQ-B-746 A ₂ ADDED THK DIM TO VIEW A ₃ WAS GRADE A	27 OCT 59	42428-PC- 59-A1-51 REV'D PME



(A₁) PHOSPHOR BRONZE COMPOSITION QQ-P-330
A, SPRING TEMPER PER SPEC

COLLINS PART NO.	ITEM	QTY	PART NO.	DESCRIPTION	MATL.	MATL. SPEC.
LIST OF MATERIAL						
COLLINS PART NO. <i>538-0372-002</i>						

DRAWN <i>ECS</i>				CHECKED <i>Man</i>		APPROVED		COLLINS-RADIO CO. CEDAR RAPIDS, IOWA 14214 - PH. 51-93		DEPARTMENT OF THE ARMY SIGNAL CORPS ENGINEERING LABORATORIES FORT MONMOUTH NEW JERSEY <i>SM-B-249022</i>	
UNLESS OTHERWISE SPECIFIED: DECIMAL DIMENSIONS INCLUDING HOLE SIZES MAY VARY ±.005 FRACTIONAL DIMENSIONS INCLUDING HOLE SIZES MAY VARY ±1/64 MACHINED ANGLES MAY VARY ±.1° SHEARED ANGLES MAY VARY ±.25° BROKEN ANGLES MAY VARY ±.1° ECCENTRICITY BETWEEN ANY DIAMETERS ON THE SAME CENTERLINE SHALL NOT EXCEED .010 TOTAL INDICATOR READING. ALL DIMENSIONS ARE FINISH DIMENSIONS INCLUDING APPLIED FINISH AND ARE GIVEN IN INCHES.								SIGNAL CORPS			
								REVIEWED <i>PME</i>			
								APPROVED <i>HLV</i> <i>PME</i>			
558-0385-002 2 SM-B-249035 SC-DL-248775								DATE <i>17 DEC 55</i>		SCALE <i>2/1</i>	
APPLICATION											