

EQUIP. TYPE *R390A/URR* EXP. NO.

COL. 540 7514 002

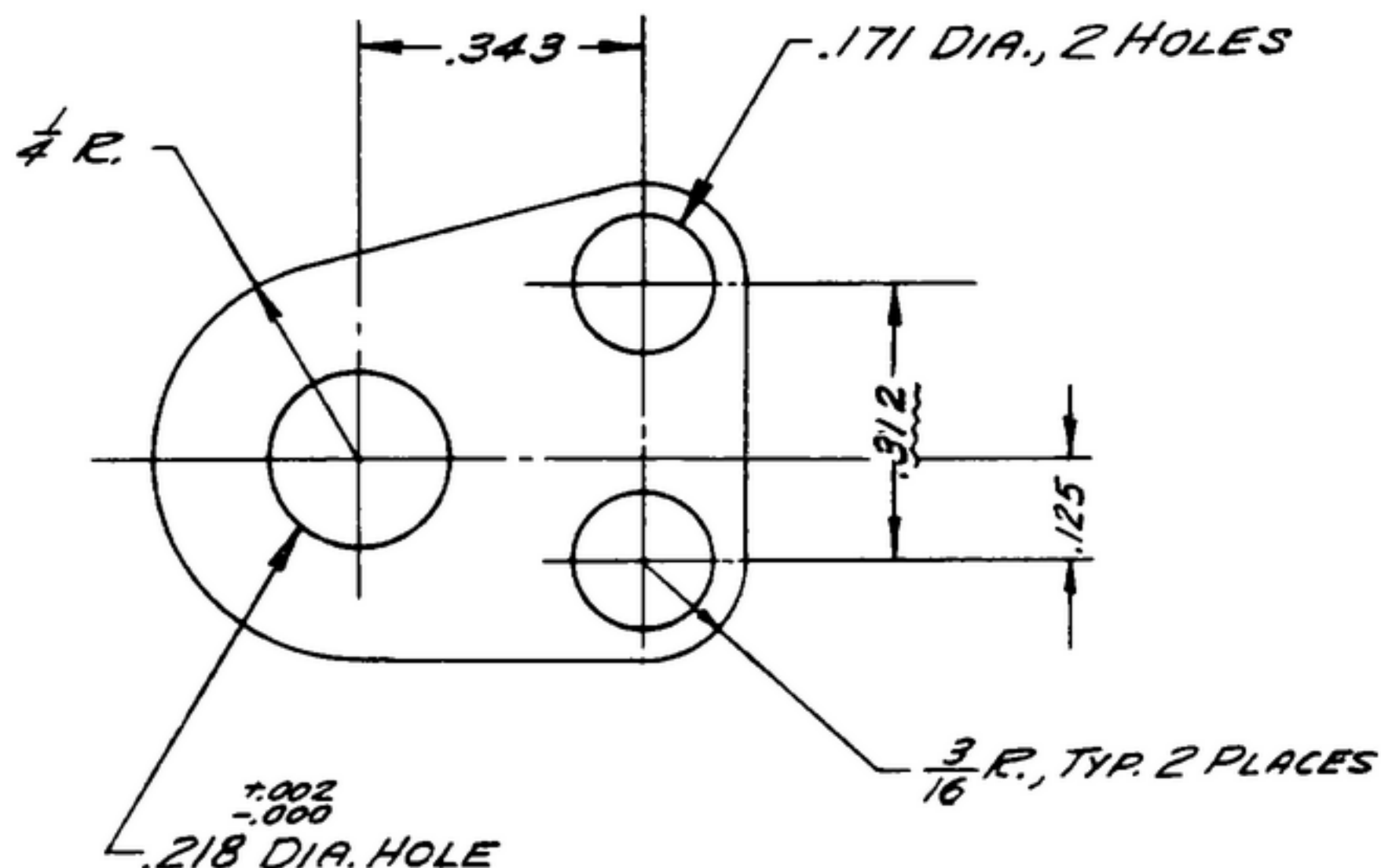
NOTICE: WHEN GOVERNMENT DRAWINGS, SPECIFICATIONS, OR OTHER DATA ARE USED FOR ANY PURPOSE OTHER THAN IN CONNECTION WITH A DEFENSE-RELATED GOVERNMENT PROCUREMENT OPERATION, THE UNITED STATES GOVERNMENT THEREBY INCURS NO RESPONSIBILITY FOR ANY OMISSION, MISTAKE, OR ERROR, OR FOR ANY LOSS OR DAMAGE, OR FOR ANY INJURY TO PERSONS OR PROPERTY, OR FOR ANY CONSEQUENCES OF ANY SUCH OMISSION, MISTAKE, OR ERROR, OR FOR ANY LOSS OR DAMAGE, OR FOR ANY INJURY TO PERSONS OR PROPERTY, OR FOR ANY CONSEQUENCES OF ANY SUCH OMISSION, MISTAKE, OR ERROR, OR FOR ANY LOSS OR DAMAGE, OR FOR ANY INJURY TO PERSONS OR PROPERTY, OR FOR ANY CONSEQUENCES OF ANY SUCH OMISSION, MISTAKE, OR ERROR.

THIS DOCUMENT HAS BEEN PURCHASED BY THE GOVERNMENT AND MAY BE REPRODUCED AND USED IN CONNECTION WITH ANY GOVERNMENT PROCUREMENT OR DEFENSE OPERATION.

*FOR INFORMATION ONLY. CONTRACTOR MAY AT HIS OPTION DEVIATE FROM THESE PROCESS DETAILS.

REVISIONS

SYM	DESCRIPTION	DATE	APPROVAL
-----	-------------	------	----------



NOTES:
 1. PLATE TO BE FLAT WITHIN .010 T.I.R.

CRES, COMP. 302, COND. ANNEALED, PER SPEC. MIL-5-5059, .062 THICK.

FINISH: E300 PER SPEC. MIL-F-14072.

* COLLINS 580 002 500.

COLLINS PART NO.	ITEM	QTY	PART NO.	DESCRIPTION	MATL	MATL SPEC
LIST OF MATERIAL						
COLLINS PART NO. <i>558 0424 002</i>						

DRAWN <i>Hammer</i>				CHECKED <i>Rhm</i>		APPROVED		COLLINS-RADIO CO. 2225 RAYBURN AVE. 14214-PH-51-93		PLATE-ADJUSTING		DEPARTMENT OF THE ARMY SIGNAL CORPS ENGINEERING LABORATORIES FORT MONMOUTH NEW JERSEY	
UNLESS OTHERWISE SPECIFIED: DECIMAL DIMENSIONS INCLUDING HOLE SIZES MAY VARY ±.008 FRACTIONAL DIMENSIONS INCLUDING HOLE SIZES MAY VARY ±1/64 MACHINED ANGLES MAY VARY ±.1° SHEARED ANGLES MAY VARY ±.25° BROKEN ANGLES MAY VARY ±1° ECCENTRICITY BETWEEN ANY DIAMETERS ON THE SAME CENTERLINE SHALL NOT EXCEED .010 TOTAL INDICATOR READING. ALL DIMENSIONS ARE FINISH DIMENSIONS INCLUDING APPLIED FINISH AND ARE GIVEN IN INCHES.				REVIEWED <i>PME</i>		APPROVED <i>HLV</i> <i>PME</i>		SIGNAL CORPS					
558 0424 002 1 SM-B-249073				558 0424 002 1 SM-B-249072 SC-DL-248775		DATE <i>14 DEC 55</i>		SCALE <i>1/1</i>					
APPLICATION				COLLINS NO.		QTY		NEXT ASSY		USED ON		SM-B-249050	