

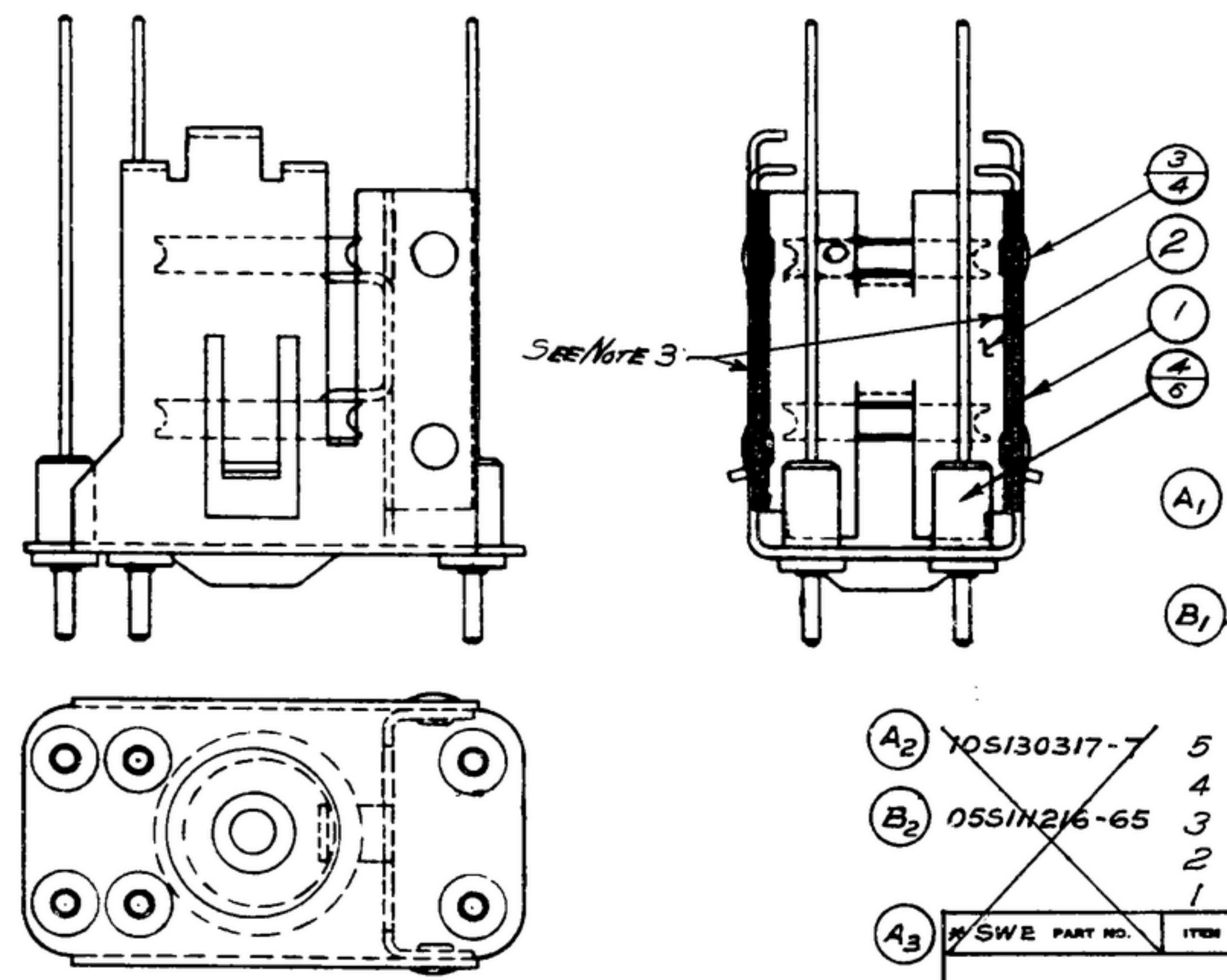
NOTICE: WHEN GOVERNMENT DRAWINGS, SPECIFICATIONS, OR OTHER DATA ARE USED FOR ANY PURPOSE OTHER THAN IN CONNECTION WITH A SPECIFICALLY RELATED GOVERNMENT PROCUREMENT OPERATION, THE UNITED STATES GOVERNMENT THEREBY INCURS NO RESPONSIBILITY FOR ANY OBLIGATION WHATSOEVER, AND THE FACT THAT THE GOVERNMENT MAY HAVE FORMULATED, FURNISHED, OR IN ANY WAY SUPPLIED THE SAID DRAWINGS, SPECIFICATIONS, OR OTHER DATA IS NOT TO BE REGARDED BY IMPLICATION OR OTHERWISE AS IN ANY MANNER LICENSING THE HOLDER OR ANY OTHER PERSON OR CORPORATION, OR CONFERRING ANY RIGHT OR PERMISSION TO MANUFACTURE, USE, OR SELL ANY PATENTED INVENTION THAT MAY IN ANY WAY BE RELATED THERETO.

THIS DOCUMENT HAS BEEN PURCHASED BY THE GOVERNMENT AND MAY BE REPRODUCED AND USED IN CONNECTION WITH ANY GOVERNMENT PROCUREMENT OR MAINTENANCE OPERATION.

*FOR INFORMATION ONLY. CONTRACTOR MAY AT HIS OPTION DEVIATE FROM THESE PROCESS DETAILS.

REVISIONS

SYM	DESCRIPTION	DATE	APPROVAL
A₃	A₁ - DELETED NOTE 4 (VARNISH) A₂ - ITEM 5 WAS VARNISH; A₃ - REPLACED COLLINS PART NO'S. WITH SWE PART NO'S 6,7.	17 NOV. 59	42428-PC-59-A1-51 REV'D. PME
B	(1) - ADDED NOTES # 6 & 7. (2) - ADDED PART NO. 05S111216-65 & PART NO. SM-B-249070-1 WAS SM-B-283266-1, ADDED NOTES NO'S 6,7	9 DEC. 60	42428-PC-59 REV'D. PME



- NOTES:
1. ASSEMBLE LINK (2) TO FRAME (1) AS SHOWN & ROLL.
 2. PRESS TERMINALS (4) INTO FRAME (1) AS SHOWN.
 3. SOLDER EDGE OF FRAME (1) TO LINK (2) AS SHOWN USING COMP SN60 WARP SOLDER PER SPEC QQ-S-571, PER SPEC MIL-S-6872.
 5. IN ALL SPLIT BALLOONS TOP FIGURE IS MATERIAL LIST ITEM INDICATOR & BOTTOM FIGURE IS QUANTITY.
 6. AS SUPPLIED BY NATIONAL RIVET AND MFG. CO., WAUPUN WIS. PART NO. AB-1-3-ST - MAT'L TYPE C1006, C1010 OR C1015 STEEL PER FED. SPEC. QQ-W-409 OR EQUAL.
 7. FINISH M262 PER SPEC. MIL-F-14072.

A ₂	05S130317-7	5	As Reqd.	SOLDER, SOFT	QQ-S-571	3
B ₂	05S111216-65	3	4	SM-B-249270 TERMINAL INSULATED		6,7
		2	1	SM-B-249070-1 RIVET-TUBULAR		
		1	1	SM-G-249083 LINK ASSY		
		1	1	SM-G-249077 FRAME-ANT COIL		

#	SWE PART NO.	ITEM	REQD	PART NO.	DESCRIPTION	MATL	MATL SPEC	NOTE
LIST OF MATERIAL								

DRAWN JENNETT				CHECKED Rhm		APPROVED		COLLINS RADIO CO. CEDAR RAPIDS, IOWA 1A21A-PH 51-93 SIGNAL CORPS		DEPARTMENT OF THE ARMY SIGNAL CORPS ENGINEERING LABORATORIES FORT MONMOUTH NEW JERSEY	
UNLESS OTHERWISE SPECIFIED: DECIMAL DIMENSIONS INCLUDING HOLE SIZES MAY VARY ±.008 FRACTIONAL DIMENSIONS INCLUDING HOLE SIZES MAY VARY ±1/64 MACHINED ANGLES MAY VARY ±.1° SHEARED ANGLES MAY VARY ±.25° BROKEN ANGLES MAY VARY ±.1° ECCENTRICITY BETWEEN ANY DIAMETERS ON THE SAME CENTERLINE SHALL NOT EXCEED .010 TOTAL INDICATOR READINGS. ALL DIMENSIONS ARE FINISH DIMENSIONS INCLUDING APPLIED FINISH AND ARE GIVEN IN INCHES.				REVIEWED PME		APPROVED HLY PME		FRAME ASSY			
558-0441-004-1 SM-D-249090 SCPL-280775				DATE 14 DEC 55		SCALE 2/1				SM-B-249070	
APPLICATION											