

EQUIP. TYPE R39CA/URP EXP. NO. _____

COL. 54-1103002

NOTICE: WHEN GOVERNMENT DRAWINGS, SPECIFICATIONS, OR OTHER DATA ARE USED FOR ANY PURPOSE OTHER THAN IN CONNECTION WITH A DEFINITELY RELATED GOVERNMENT PROCUREMENT OPERATION, THE UNITED STATES GOVERNMENT THEREBY INCURS NO RESPONSIBILITY FOR ANY OBLIGATION WHATSOEVER AND THE FACT THAT THE GOVERNMENT MAY HAVE FORMULATED, PROVIDED, OR IN ANY WAY SUPPLIED THE SAID DRAWINGS, SPECIFICATIONS, OR OTHER DATA IS NOT TO BE REGARDED BY IMPLICATION OR OTHERWISE AS IN ANY MANNER LICENSES THE HOLDER OR ANY OTHER PERSON OR CORPORATION, OR CONVEYING ANY RIGHTS OR PERMISSION TO MANUFACTURE, USE, OR SELL ANY PATENTED INVENTION THAT MAY IN ANY WAY BE RELATED THERETO.

THIS DOCUMENT HAS BEEN PURCHASED BY THE GOVERNMENT AND MAY BE REPRODUCED AND USED IN CONNECTION WITH ANY GOVERNMENT PROCUREMENT OR MAINTENANCE OPERATION.

* FOR INFORMATION ONLY. CONTRACTOR MAY AT HIS OPTION DEVIATE FROM THESE PROCESS DETAILS.

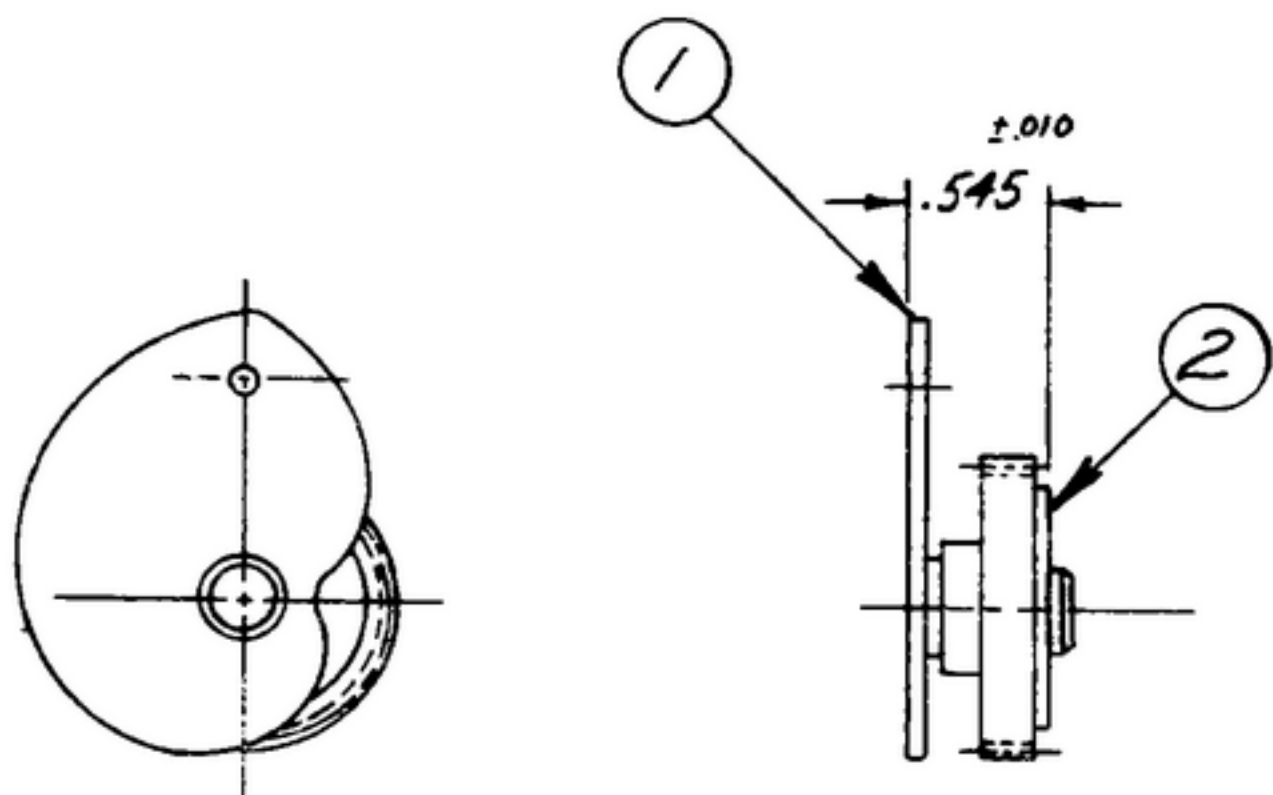
~~X SWE APPROVAL~~
SYM PR10042-A

REVISIONS			
SYM	DESCRIPTION	DATE	APPROVAL
A ₂	A ₁ RENUMBERED NOTES A ₂ ADDED IRIDITE NO.7 TO FINISH NOTE	8 OCT. 59	42428-PC 59-AI-51 REV'D PME

(A₁)
(A₂)

NOTES

- FINISH: CHEMICAL POLISH PER IRIDITE NO.7 METCOTE PROCESS BY ALLIED RESEARCH PRODUCTS, INC, BALTIMORE, MD, OR EQUAL
~~* COLLINS 588-0034-00~~ (* SAME AS 572167)
- PRESS GEAR (2) ONTO CAM (1) TO DIMENSION SHOWN.



~~558-0497-002-2~~ 1 SM-B-249145 GEAR-SPUR
(SA) ~~558-0496-003-1~~ 1 SM-G-249144 CAM ASSY-R.F.

ISSUE PART NO.	ITEM	QTY	PART NO.	DESCRIPTION	MATL.	MATL. SPEC.

LIST OF MATERIAL

COLLINS PART NO. 558-0498-002

DRAWN NUGEN			CHECKED <i>R</i>	APPROVED	COLLINS-RADIO-CO. -SEAR-RAPID-1954 14214-PH-51-93	DEPARTMENT OF THE ARMY SIGNAL CORPS ENGINEERING LABORATORIES FORT MONMOUTH NEW JERSEY
UNLESS OTHERWISE SPECIFIED: DECIMAL DIMENSIONS INCLUDING HOLE SIZES MAY VARY ±.008 FRACTIIONAL DIMENSIONS INCLUDING HOLE SIZES MAY VARY ±1/64 MACHINED ANGLES MAY VARY ±.1° SHEARED ANGLES MAY VARY ±.25° BROKEN ANGLES MAY VARY ±1° ECCENTRICITY BETWEEN ANY DIAMETERS ON THE SAME CENTERLINE SHALL NOT EXCEED .010 TOTAL INDICATOR READING. ALL DIMENSIONS ARE FINISH DIMENSIONS INCLUDING APPLIED FINISH AND ARE GIVEN IN INCHES.					SIGNAL CORPS	
558-0308-003 + SM-G-248959 SG-OL-248775					REVIEWED PME	
COLLINS NO.	QTY	NEXT ASSY	USED ON		APPROVED HLY PME	
APPLICATION					DATE 23 DEC 55 SCALE 1/1	GEAR ASSY SM-B-249146