

EQUIP. TYPE R390A/URR EXP. NO.

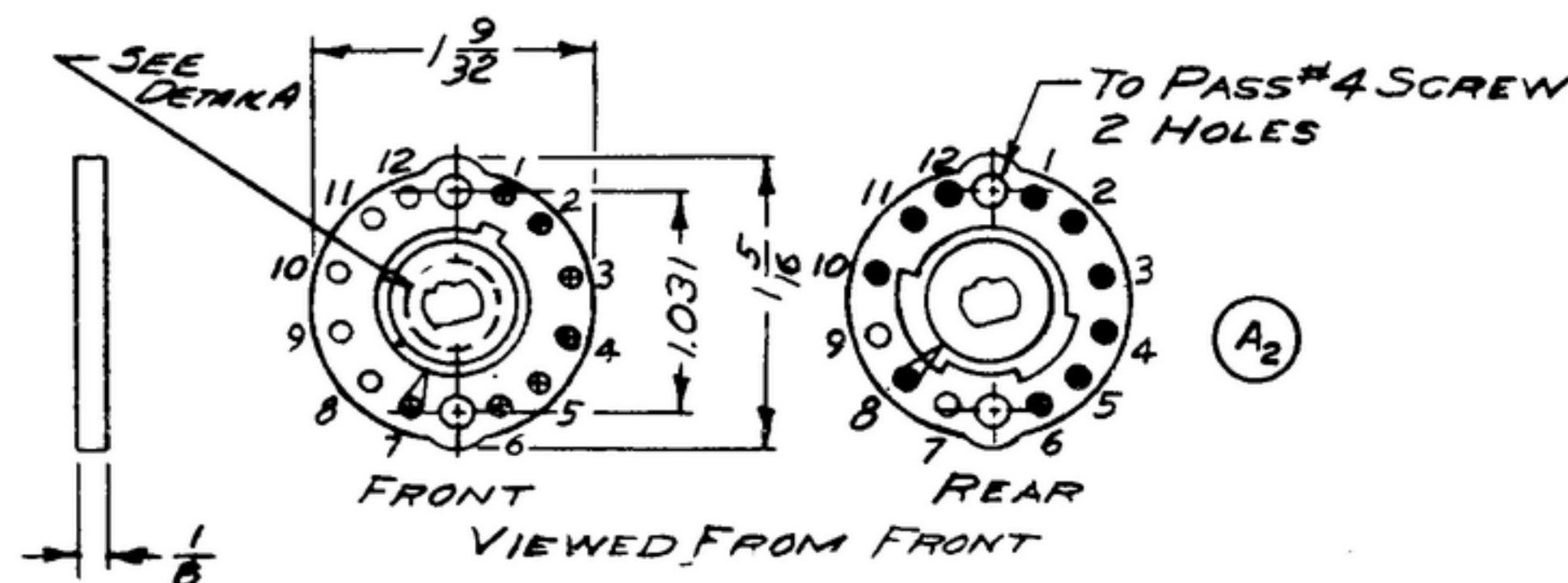
COL 2691770-00

NOTICE: WHEN GOVERNMENT DRAWINGS, SPECIFICATIONS, OR OTHER DATA ARE USED FOR ANY PURPOSE OTHER THAN IN CONNECTION WITH A DEFINITELY RELATED GOVERNMENT PROCUREMENT OPERATION, THE UNITED STATES GOVERNMENT THEREBY INCURS NO RESPONSIBILITY NOR ANY OBLIGATION WHATSOEVER; AND THE FACT THAT THE GOVERNMENT MAY HAVE FORMULATED, FURNISHED, OR IN ANY WAY SUPPLIED THE SAID DRAWINGS, SPECIFICATIONS, OR OTHER DATA IS NOT TO BE REGARDED BY IMPLICATION OR OTHERWISE AS IN ANY MANNER LICENSING THE HOLDER OR ANY OTHER PERSON OR CORPORATION, OR CONFERRING ANY RIGHTS OR PERMISSIONS TO MANUFACTURE, USE, OR SELL ANY PATENTED INVENTION THAT MAY IN ANY WAY BE RELATED THERETO.

THIS DOCUMENT HAS BEEN PURCHASED BY THE GOVERNMENT AND MAY BE REPRODUCED AND USED IN CONNECTION WITH ANY GOVERNMENT PROCUREMENT OR MAINTENANCE OPERATION.

\*FOR INFORMATION ONLY, CONTRACTOR MAY AT HIS OPTION DEVIATE FROM THESE PROCESS DETAILS.

REVISIONS			
SYM	DESCRIPTION	DATE	APPROVAL
A	(1) ADDED APPL SM-D-343620 (2) CORRECTED REAR VIEW OF SWITCH	6 NOV 59	42438-PC-53 DREYD PME



- KEY TO SYMBOLS
- ⊕ SHORT CLIP
  - ⊕ LONG CLIP
  - SHORT CLIP-REVERSED
  - LONG CLIP-REVERSED
  - NO CLIP

NOTES:

- PART MAY BE TYPE FC, AS SUPPLIED BY OAK MFG. CO., CHICAGO, ILL., OR EQUAL, PROVIDING IT MEETS THE FOLLOWING REQUIREMENTS AND DIMENSIONS SHOWN.

**DESCRIPTION:** 2 CIRCUIT (2 POLE), 12 POSITION ROTARY WAFER SWITCH SECTION.  
**INSULATION:** STEATITE, GRADE L-48 OR BETTER IN ACCORDANCE WITH JOINT ARMY-NAVY SPECIFICATION JAN-1-10 TREATED WITH DOW-CORNING DC-200 AS SUPPLIED BY DOW-CORNING CORP., CHICAGO, ILL., OR EQUAL, IN STRICT ACCORDANCE WITH MANUFACTURER'S RECOMMENDATIONS.

**CLIPS:** SPRING SILVER ALLOY, BENT 60° - 75°.  
**ROTOR BLADES:** SHORTING TYPE, COPPER SILVER ALLOY.

\***PRODUCTION TESTING** SHALL CONSIST OF THE FOLLOWING: VISUAL INSPECTION, INDEXING AND FUNCTION.

\***SAMPLE MUST BE SUBMITTED TO CONTRACTORS ENGINEERING DEPARTMENT FOR APPROVAL BEFORE SHIPMENT OF PRODUCTION UNITS.**

DETAIL A  
SCALE 2/1

(A<sub>1</sub>)

COLLINS PART NO.	ITEM	REQD	PART NO.	DESCRIPTION	MATL	MATL SPEC
LIST OF MATERIAL						
COLLINS PART NO. 559 0181 002						

DRAWN <i>Hamer</i>				CHECKED <i>[Signature]</i>		APPROVED		COLLINS RADIO CO. -CEDAR RAPIDS, IOWA- 14214-PH-51-93		DEPARTMENT OF THE ARMY SIGNAL CORPS ENGINEERING LABORATORIES FORT MONMOUTH NEW JERSEY	
UNLESS OTHERWISE SPECIFIED: DECIMAL DIMENSIONS INCLUDING HOLE SIZES MAY VARY ±.008 FRACTIONAL DIMENSIONS INCLUDING HOLE SIZES MAY VARY ±1/64 MACHINED ANGLES MAY VARY ±1° SHEARED ANGLES MAY VARY ±28° BROKEN ANGLES MAY VARY ±1° ECCENTRICITY BETWEEN ANY DIAMETERS ON THE SAME CENTERLINE SHALL NOT EXCEED .010 TOTAL INDICATOR READING. ALL DIMENSIONS ARE FINISH DIMENSIONS INCLUDING APPLIED FINISH AND ARE GIVEN IN INCHES.				SIGNAL CORPS		REVIEWED <i>PME</i>		SECTION ROTARY SWITCH			
SM-D-343620				APPROVED <i>HLV</i>		APPROVED <i>PME</i>				SM-B-249233	
559-0363-004-2 SM-D-248818 SG-DL-248775				DATE 12 JAN 56		SCALE 1/1					
APPLICATION				COLLINS NO.		QTY		NEXT ASSY		USED ON	