

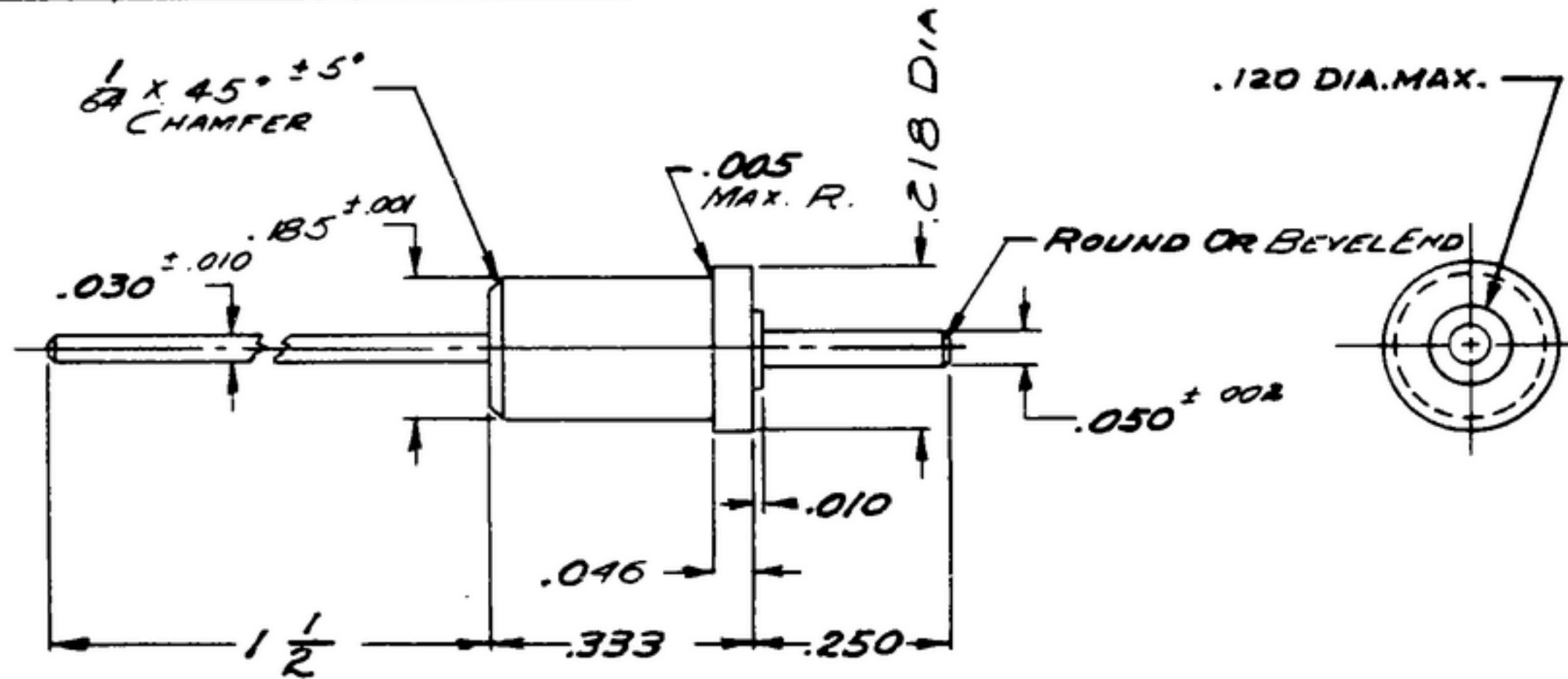
NOTICE: WHEN GOVERNMENT DRAWINGS, SPECIFICATIONS, OR OTHER DATA ARE USED FOR ANY PURPOSE OTHER THAN IN CONNECTION WITH A DEFINITELY RELATED GOVERNMENT PROCUREMENT OPERATION, THE UNITED STATES GOVERNMENT THEREBY INCURS NO RESPONSIBILITY NOR ANY OBLIGATION WHATSOEVER; AND THE FACT THAT THE GOVERNMENT MAY HAVE FORMULATED, FURNISHED, OR IN ANY WAY SUPPLIED THE SAID DRAWINGS, SPECIFICATIONS, OR OTHER DATA IS NOT TO BE REGARDED BY IMPLICATION OR OTHERWISE AS IN ANY MANNER LICENSING THE HOLDER OR ANY OTHER PERSON OR CORPORATION, OR CONVEYING ANY RIGHTS OR PERMISSION TO MANUFACTURE, USE, OR SELL ANY PATENTED INVENTION THAT MAY IN ANY WAY BE RELATED THERETO.

THIS DOCUMENT HAS BEEN PURCHASED BY THE GOVERNMENT AND MAY BE REPRODUCED AND USED IN CONNECTION WITH ANY GOVERNMENT PROCUREMENT OR MAINTENANCE OPERATION.

\* FOR INFORMATION ONLY, CONTRACTOR MAY AT HIS OPTION DEVIATE FROM THESE PROCESS DETAILS.

REVISIONS

SYM	DESCRIPTION	DATE	APPROVAL
<del>A<sub>2</sub></del>	<del>A<sub>1</sub> - ADDED NOTES; A<sub>2</sub> - M 310 WAS M317</del>	<del>13 NOV. 59</del>	<del>42428-PC-59-A1-51 REV'D. PME</del>
B <sub>1</sub>	CA 84792 B <sub>1</sub> - FINISH WAS M310 PER MIL-F-14072	9 JUNE 60	42428-PC-59 REV'D. PME
C <sub>1</sub>	CA 85035 (1) - FINISH NOTE WAS SILVER-PLATED WITH GOLD FLASH.	23 JAN. 61	42428-PC-59 REV'D. PME



NOTES:

1. PART MAY BE \*FT-M-2 AS SUPPLIED BY SELECTRO CORP, NEW ROCHELLE, N.Y. OR EQUAL, PROVIDING IT MEETS THE FOLLOWING REQUIREMENTS & DIMENSIONS SHOWN.

DESCRIPTION: INSULATED FEED-THRU TERMINAL.

INSULATING MATERIAL: TEFLON, SUPPLIED BY E. I. DUPONT, DENEMOURS & CO, INC, WILMINGTON, DEL, OR EQUAL.

METAL PARTS: HALF-HARD BRASS.

FINISH BRASS PARTS: M 351 PER MIL-F-14072 WITH GOLD FLASH. (B<sub>1</sub>) (C<sub>1</sub>)

CURRENT RATING: 5.5A

VOLTAGE RATING: 750V RMS 60 CPS.

TEMPERATURE RANGE -65°C TO +200°C.

COLLINS NO.	QTY	NEXT ASSY	USED ON
558 0422 002	6	SM-B-249071	
558 0421 002	6	SM-B-249070	
558 0420 002	6	SM-B-249069	
558 0419 002	6	SM-B-249068	
558 0418 002	6	SM-B-249067	
558 0417 002	6	SM-B-249066	
558 0385 002	2	SM-B-249065	
558 0413 002	9	SM-B-249062	
558 0412 002	2	SM-B-249061	SC-DL-248775

DRAWN RAH  
CHECKED [Signature]  
APPROVED [Signature]

UNLESS OTHERWISE SPECIFIED:  
DECIMAL DIMENSIONS INCLUDING HOLE SIZES MAY VARY ±.008  
FRACTIONAL DIMENSIONS INCLUDING HOLE SIZES MAY VARY ±1/64  
MACHINED ANGLES MAY VARY ±.1°  
SHEAFED ANGLES MAY VARY ±.25°  
BROKEN ANGLES MAY VARY ±1°  
ECCENTRICITY BETWEEN ANY DIAMETERS ON THE SAME CENTERLINE SHALL NOT EXCEED .010 TOTAL INDICATOR READING.  
ALL DIMENSIONS ARE FINISH DIMENSIONS INCLUDING APPLIED FINISH AND ARE GIVEN IN INCHES.

COLLINS PART NO.	ITEM	REQD	PART NO.	DESCRIPTION	DATE	DATE SPEC
LIST OF MATERIAL						
COLLINS PART NO. 559-0224-002						

COLLINS RADIO CO.  
CEDAR RAPIDS, IOWA  
14214 - P.H.  
51-93

SIGNAL CORPS

REVIEWED PME

APPROVED HLY  
PME

DATE 17 JAN 56 SCALE 4/1

TERMINAL - INSULATED

DEPARTMENT OF THE ARMY  
SIGNAL CORPS ENGINEERING  
LABORATORIES

FORT MONMOUTH NEW JERSEY

SM-B-249270