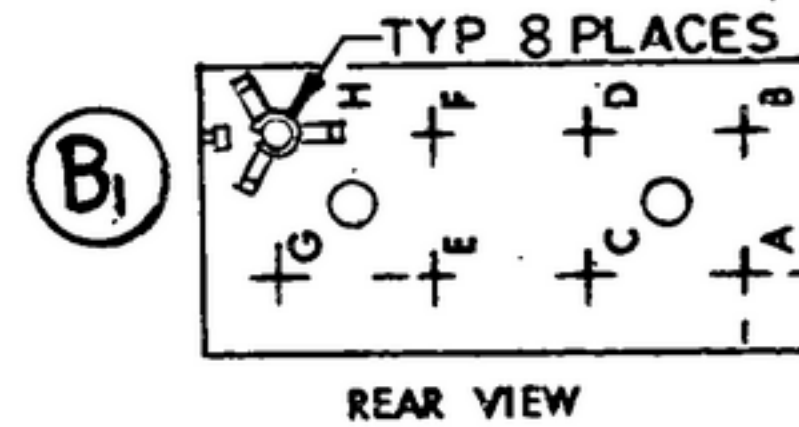


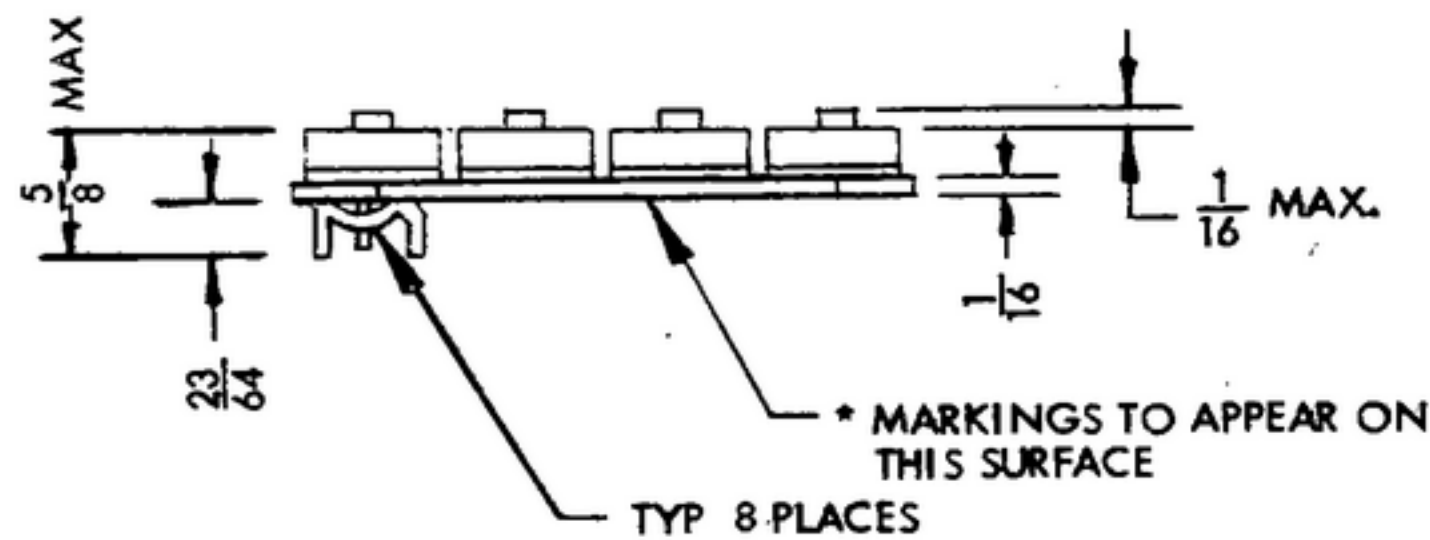
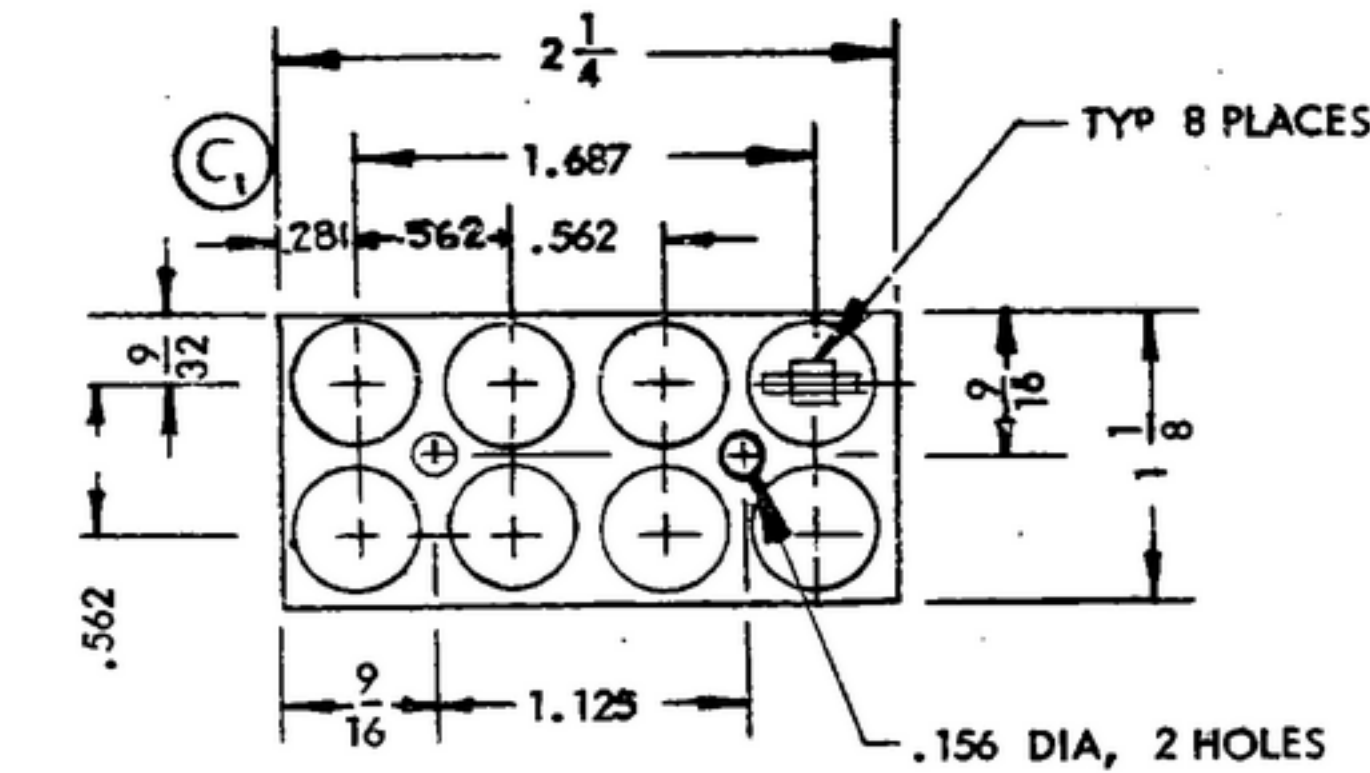
NOTICE - WHEN GOVERNMENT DRAWINGS, SPECIFICATIONS, OR OTHER DATA ARE USED FOR ANY PURPOSE OTHER THAN IN CONNECTION WITH A DEFINITELY RELATED GOVERNMENT PROCUREMENT OPERATION, THE UNITED STATES GOVERNMENT THEREBY INCURS NO RESPONSIBILITY NOR ANY OBLIGATION WHATSOEVER, AND THE FACT THAT THE GOVERNMENT MAY HAVE FORMULATED, FURNISHED, OR IN ANY WAY SUPPLIED THE SAID DRAWINGS, SPECIFICATIONS OR OTHER DATA IS NOT TO BE REGARDED BY IMPLICATION OR OTHERWISE AS IN ANY MANNER LICENSING THE HOLDER OR ANY OTHER PERSON OR CORPORATION, OR CONVEYING ANY RIGHTS OR PERMISSION TO MANUFACTURE, USE, OR SELL ANY PATENTED INVENTION THAT MAY IN ANY WAY BE RELATED THERETO.

"THIS DOCUMENT HAS BEEN PURCHASED BY THE GOVERNMENT AND MAY BE REPRODUCED AND USED IN CONNECTION WITH ANY GOVERNMENT PROCUREMENT OR MAINTENANCE OPERATION."

NOTE:
DATA MARKED BY AN ASTERISK (*) ARE FOR INFORMATION ONLY, CONTRACTOR MAY, AT HIS OPTION, DEVIATE FROM THESE DETAILS



REVISIONS			
SYM	DESCRIPTION	DATE	APPROVAL
B ₂	B ₁ - MARKING LETTERS CORRECTED: B ₂ -IN CAPACITOR NOS C THRU F AND H WAS C THRU G, G WAS H	5 APRIL 60	42428-PC-59
-	RETRACED, NO CHANGE	10 JULY 62	21582-PC-61
C	C ₁ - DIMENSION ADDED	25 SEPT 64	21582-PC-61 REUB PME



NOTES:

1. PART MAY BE TYPE 3189, SUPPLIED BY ERIE RESISTOR CORP., ERIE, PA., PART NO. 3189-002 OR EQUAL, PROVIDING IT MEETS THE FOLLOWING REQUIREMENTS AND DIMENSIONS SHOWN.

DESCRIPTION: SINGLE PHENOLIC BOARD WITH 8 VARIABLE CERAMIC CAPACITORS MOUNTED THEREON.
MATERIAL: PHENOLIC - PANELYTE GRADE 782, AS SUPPLIED BY ST. REGIS PAPER CO., PANELYTE DIV. RICHMOND, IND., OR EQUAL.

WORKING VOLTAGE: 350 VOLTS DC.

FLASH TEST: 700 VOLTS DC.

INITIAL Q FACTOR AT 1 MC: 500 MINIMUM

INITIAL LEAKAGE RESISTANCE: 10,000 MEGOHM, MIN.

MOISTURE RESISTANCE: CAPACITORS SHALL WITHSTAND TESTS PER SPEC MIL-C-81.

MARKING: TOP OF INDIVIDUAL CAPACITORS SHALL BE MARKED WITH TEMPERATURE COEFFICIENT AND NOMINAL CAPACITY RANGE. BOTTOM OF BOARD SHALL BE MARKED WITH IDENTIFYING LETTERS ADJACENT TO CAPACITOR TERMINALS, AND CONTRACTOR'S PART NUMBER, AND SHALL MEET THE TEST REQUIREMENTS OF SPEC MIL-M-13231.

CAPACITY AND TEMPERATURE COEFFICIENT:

CAPACITOR NO'S.	CAPACITANCE IN U U F			TEMPERATURE COEFFICIENT
	MAX, MIN,	MIN. MAX.	MAX. MAX.	
A AND B	8.0	50.0	75.0	N 750 PPM /°C
C THRU F AND H	5.0	25.0	37.5	ZERO PPM /°C
G	3.0	12.0	18.0	ZERO PPM /°C

CENTER SHAFT SHALL HAVE A SCREWDRIVER SLOT PARALLED (± 20°) TO SLOT IN CERAMIC AND SHALL BE SOLDERED TO THE ROTOR. CONTACTS SHALL BE ORIENTED AS SHOWN.

REQD	PART NO.	DESCRIPTION	MATL	MATL SPEC
LIST OF MATERIAL				

UNLESS OTHERWISE SPECIFIED		COLLINS RADIO CO. CEDAR RAPIDS-10WA		CAPACITOR-VARIABLE		DEPARTMENT OF THE ARMY U. S. ARMY SIGNAL MATERIEL SUPPORT AGENCY FORT MONMOUTH NEW JERSEY SM-B-263232	
DIMENSIONS ARE IN INCHES		14214-PH-51-93					
TOLERANCES ON FRACTIONS DECIMALS ANGLES		SIGNAL CORPS					
± 1/64 ± .005 ± 10°		REVIEWED PME					
DRAWN BY <i>W. L.</i>		APPROVED HLY PME		SCALE 1 / 1		CODE 80063	
DATE		DATE 29 NOV 55					
CHECKED BY <i>P. L.</i>							
APPROVED BY							
SM-D-249007	SC-DL-248775						
NEXT ASSY	USED ON						
APPLICATION							