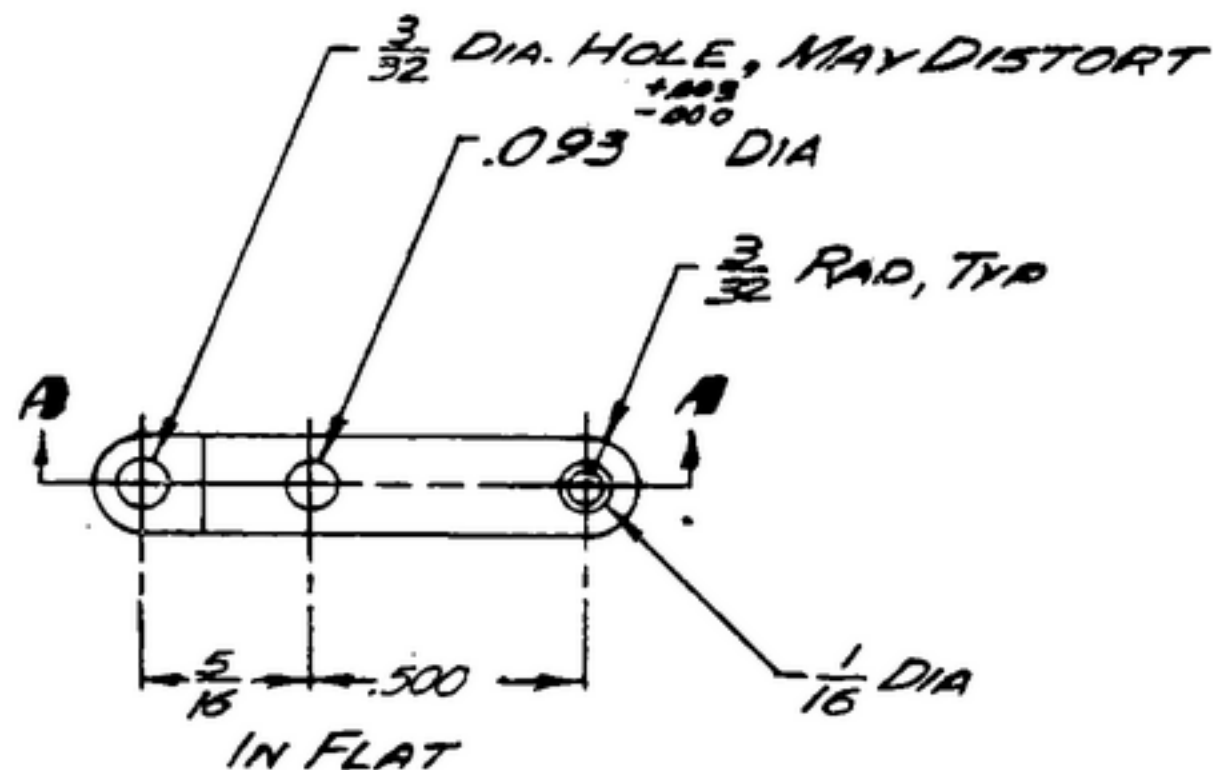


NOTICE: WHEN GOVERNMENT DRAWINGS, SPECIFICATIONS, OR OTHER DATA ARE USED FOR ANY PURPOSE OTHER THAN IN CONNECTION WITH A DEFINITELY RELATED GOVERNMENT PROCUREMENT OPERATION, THE UNITED STATES GOVERNMENT THEREBY INCURS NO RESPONSIBILITY NOR ANY OBLIGATION WHATSOEVER; AND THE FACT THAT THE GOVERNMENT MAY HAVE FORMULATED, FURNISHED, OR IN ANY WAY SUPPLIED THE SAID DRAWINGS, SPECIFICATIONS, OR OTHER DATA IS NOT TO BE REGARDED BY IMPLICATION OR OTHERWISE AS IN ANY MANNER LICENSING THE HOLDER OR ANY OTHER PERSON OR CORPORATION, OR CONVEYING ANY RIGHTS OR PERMISSION TO MANUFACTURE, USE, OR SELL ANY PATENTED INVENTION THAT MAY IN ANY WAY BE RELATED THEREBY.

THIS DOCUMENT HAS BEEN PURCHASED BY THE GOVERNMENT AND MAY BE REPRODUCED AND USED IN CONNECTION WITH ANY GOVERNMENT PROCUREMENT OR MAINTENANCE OPERATION.

\* FOR INFORMATION ONLY. CONTRACTOR MAY AT HIS OPTION DEVIATE FROM THESE PROCESS DETAILS.

| REVISIONS |             |      |          |
|-----------|-------------|------|----------|
| SYM       | DESCRIPTION | DATE | APPROVAL |



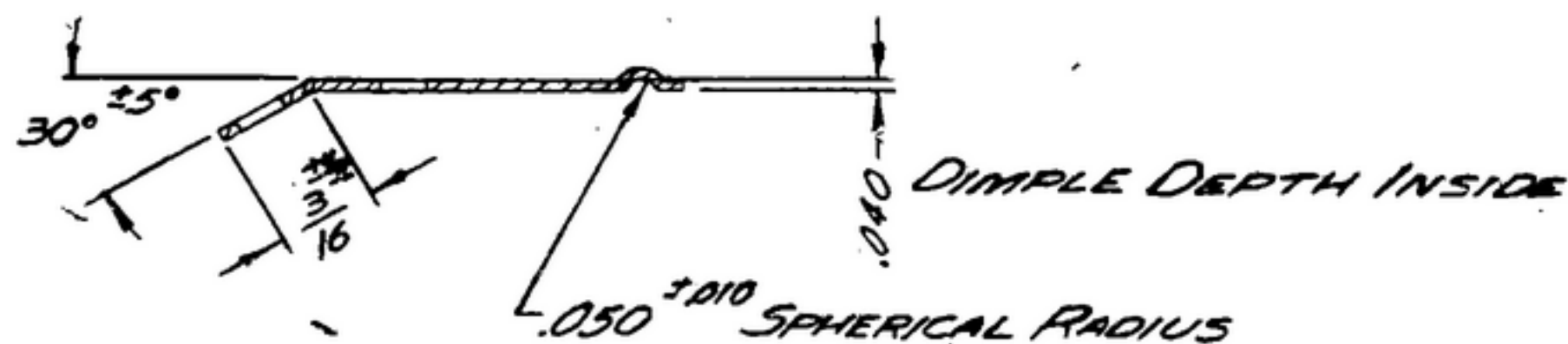
COPPER-BERILLIUM, COND A, PER SPEC QQ-C-533, .016 THICK.

FINISH: M351 PER SPEC MIL-F-1407E

~~\* COLLINS 589-001100~~

NOTES:

1. HEAT TREAT 76-80 ON ROCKWELL 15N SCALE.



SECTION A-A

| COLLINS PART NO.                     | ITEM | REQD | PART NO. | DESCRIPTION | MATL | MATL SPEC |
|--------------------------------------|------|------|----------|-------------|------|-----------|
| LIST OF MATERIAL                     |      |      |          |             |      |           |
| COLLINS PART NO. <i>558-0088-002</i> |      |      |          |             |      |           |

| COLLINS NO.         | QTY      | NEXT ASSY          | USED ON             |
|---------------------|----------|--------------------|---------------------|
| <i>558-0093-005</i> | <i>2</i> | <i>SM-C-283265</i> | <i>SC-DL-248775</i> |
| APPLICATION         |          |                    |                     |

DRAWN *LEG* CHECKED *OL* APPROVED

UNLESS OTHERWISE SPECIFIED:  
 DECIMAL DIMENSIONS INCLUDING HOLE SIZES MAY VARY ±.005  
 FRACTIONAL DIMENSIONS INCLUDING HOLE SIZES MAY VARY ±1/64  
 MACHINED ANGLES MAY VARY ±1°  
 SHEARED ANGLES MAY VARY ±.25°  
 BROKEN ANGLES MAY VARY ±1°  
 ECCENTRICITY BETWEEN ANY DIAMETERS ON THE SAME CENTERLINE SHALL NOT EXCEED .010 TOTAL INDICATOR READING.  
 ALL DIMENSIONS ARE FINISH DIMENSIONS INCLUDING APPLIED FINISH AND ARE GIVEN IN INCHES.

COLLINS RADIO CO.  
 CEDAR RAPIDS, IOWA  
*14214-PH*  
*51-93*  
 SIGNAL CORPS  
 REVIEWED *PME*  
 APPROVED *HLY*  
*PME*  
 DATE *26 DEC 56* SCALE *2/1*

*CONTACT*

DEPARTMENT OF THE ARMY  
 SIGNAL CORPS ENGINEERING  
 LABORATORIES  
 FORT MONMOUTH NEW JERSEY

*SM-B-283264*