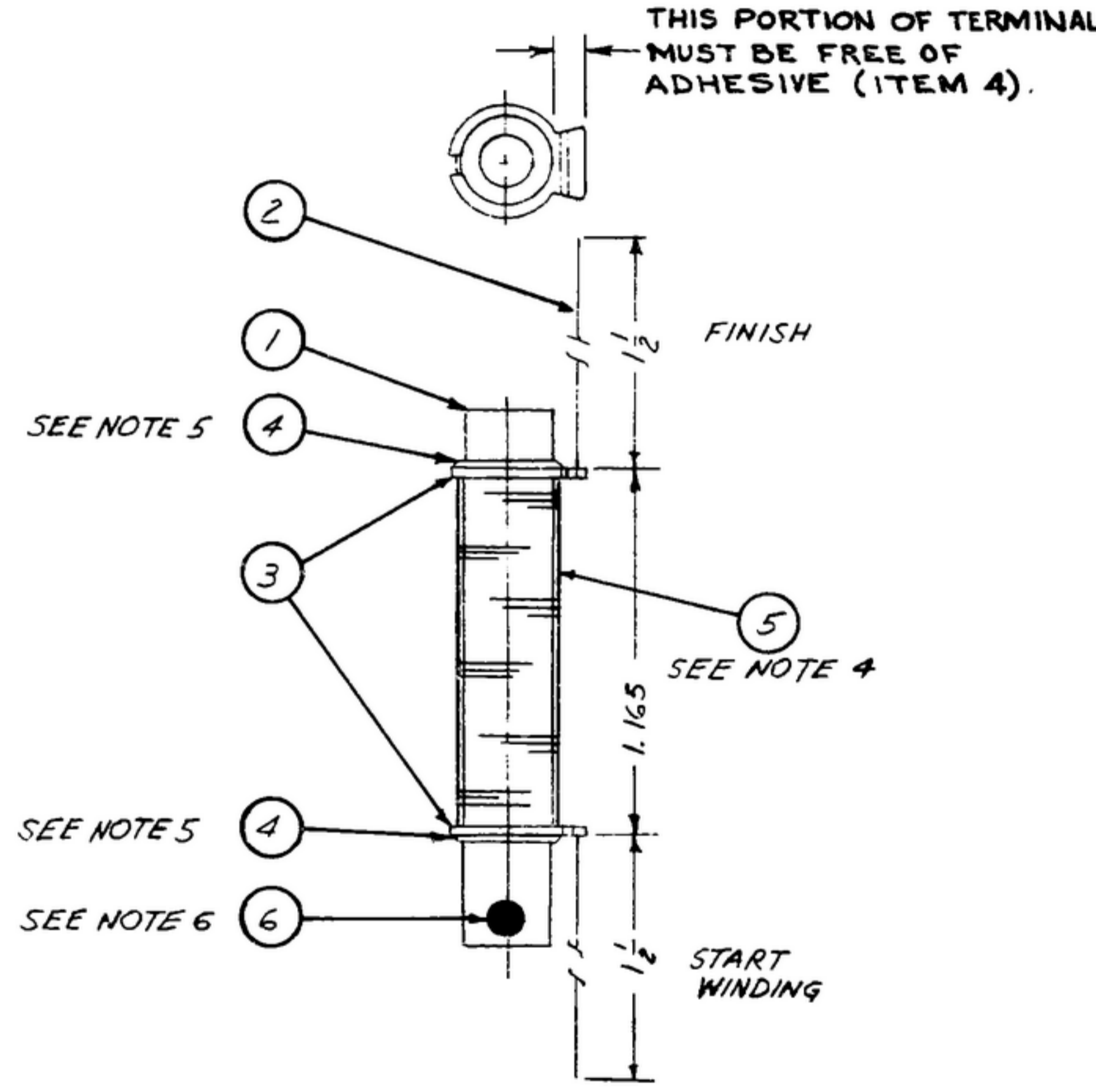


NOTICE: WHEN GOVERNMENT DRAWINGS, SPECIFICATIONS, OR OTHER DATA ARE USED FOR ANY PURPOSE OTHER THAN IN CONNECTION WITH A DEFINITELY RELATED GOVERNMENT PROCUREMENT OPERATION, THE UNITED STATES GOVERNMENT TAKES NO RESPONSIBILITY FOR ANY OMISSIONS, ERRORS, OR THE FACT THAT THE GOVERNMENT HAS NOT BEEN ADVISED OF ANY SUCH USE. THE GOVERNMENT WILL NOT BE HELD RESPONSIBLE FOR ANY SUCH USE. THE GOVERNMENT WILL NOT BE HELD RESPONSIBLE FOR ANY SUCH USE.

"THIS DOCUMENT HAS BEEN PURCHASED BY THE GOVERNMENT AND MAY BE REPRODUCED AND USED IN CONNECTION WITH ANY GOVERNMENT PROCUREMENT OR MAINTENANCE OPERATION."

NOTE: *FOR INFORMATION ONLY. CONTRACTOR MAY AT HIS OPTION DEVIATE FROM THESE PROCESS DETAILS

REVISIONS			
SYM	DESCRIPTION	DATE	APPROVAL
A ₁	A ₁ REVISED & REDRAWN	16 DEC 59	42428-PC-59-A1 -51 REV PHE



- NOTES:
- COIL TO BE WOUND TO MEET ELECTRICAL REQUIREMENTS SPECIFIED ON SM-D-249099.
 - TYPICAL WINDING DATAS:
NO. OF TURNS: 13
TYPE OF WIND: SINGLE LAYER VARIABLE PITCH
 - WIRE: SINGLE STRAND OF NO. 26 AWG WIRE WITH HEAVY POLYURETHANE FILM INSULATION. DRAWN & ANNEALED COPPER. AS SUPPLIED BY BELDEN MFG. CO. CHICAGO, ILL. OR EQUAL.
 - THE COIL WINDING SHALL BE SUFFICIENTLY COATED TO FIRMLY ANCHOR ALL WIRES. COATING MATERIAL (ITEM 5) TRANSPARENT "Q" MAX. #A27 TO BE SUPPLIED BY COMMUNICATIONS PRODUCT CO. INC., MARLBOROUGH, N.J. OR EQUAL.
 - CEMENT TERMINAL (ITEM 3) TO COIL FORM (ITEM 1) BY APPLYING THE BONDING AGENT #R313 (ITEM 4) ONLY ON THE OUTER SIDE OF TERMINALS ADJACENT TO THE EXTREMITIES OF THE COIL FORM AS SHOWN. BONDING AGENT #R313 AS SUPPLIED BY CARL H. BIGGS CO., LOS ANGELES, CALIF. OR EQUAL.
 - FOR IDENTIFICATION USE COLOR CODING LACQUERS (ITEM 6) AS SUPPLIED BY CAPITAL CHEMICAL CO., CHICAGO, ILL. OR EQUAL. APPLY GREEN COLOR DOT (1/8 DIA.) ONTO COIL FORM LOCATED AS SHOWN.
 - S.W.E. WINDING PROCEDURE FOR 17.5 - 25 MC I.F. COIL SPECIFIED ON 12P205240.

20S11266-6	6	AS REQ'D	---	LACQUER, COLOR CODING, GREEN	TT-L-31	6
20S110664-5	5	AS REQ'D	---	LACQUER		4
11S130318-7	4	AS REQ'D	---	ADHESIVE		5
	3	2	SM-B-85398	TERMINAL		5
30S130131-26	2	1	SM-B-283287-1	WIRE, MAGNET (165" TYP.)	MIL-W-583	3
	1	1	SM-B-249171-4	FORM, COIL		

LIST OF MATERIAL

				UNLESS OTHERWISE SPECIFIED DIMENSIONS ARE IN INCHES. TOLERANCES ON FRACTIONS DECIMALS ANGLES $\pm \frac{1}{64}$ $\pm .005$ \pm		COLLINS RADIO CO. CEDAR RAPIDS, IOWA 14214-PC-51-92 SIGNAL CORPS		DEPARTMENT OF THE ARMY SIGNAL CORPS ENGINEERING LABORATORIES FORT MONMOUTH NEW JERSEY			
				DRAWN BY LIPPISCH		REVIEWED PME				COIL ASSY	
				CHECKED BY BG		APPROVED HLY PME					
NEXT ASSY	USED ON	NEXT ASSY	USED ON	CHIEF DRAFTS		DATE 17 MAR 58		SCALE 2/1			
* SWE APPLICATION				APPLICATION		ENG APPROVAL		SM-B-283287			