

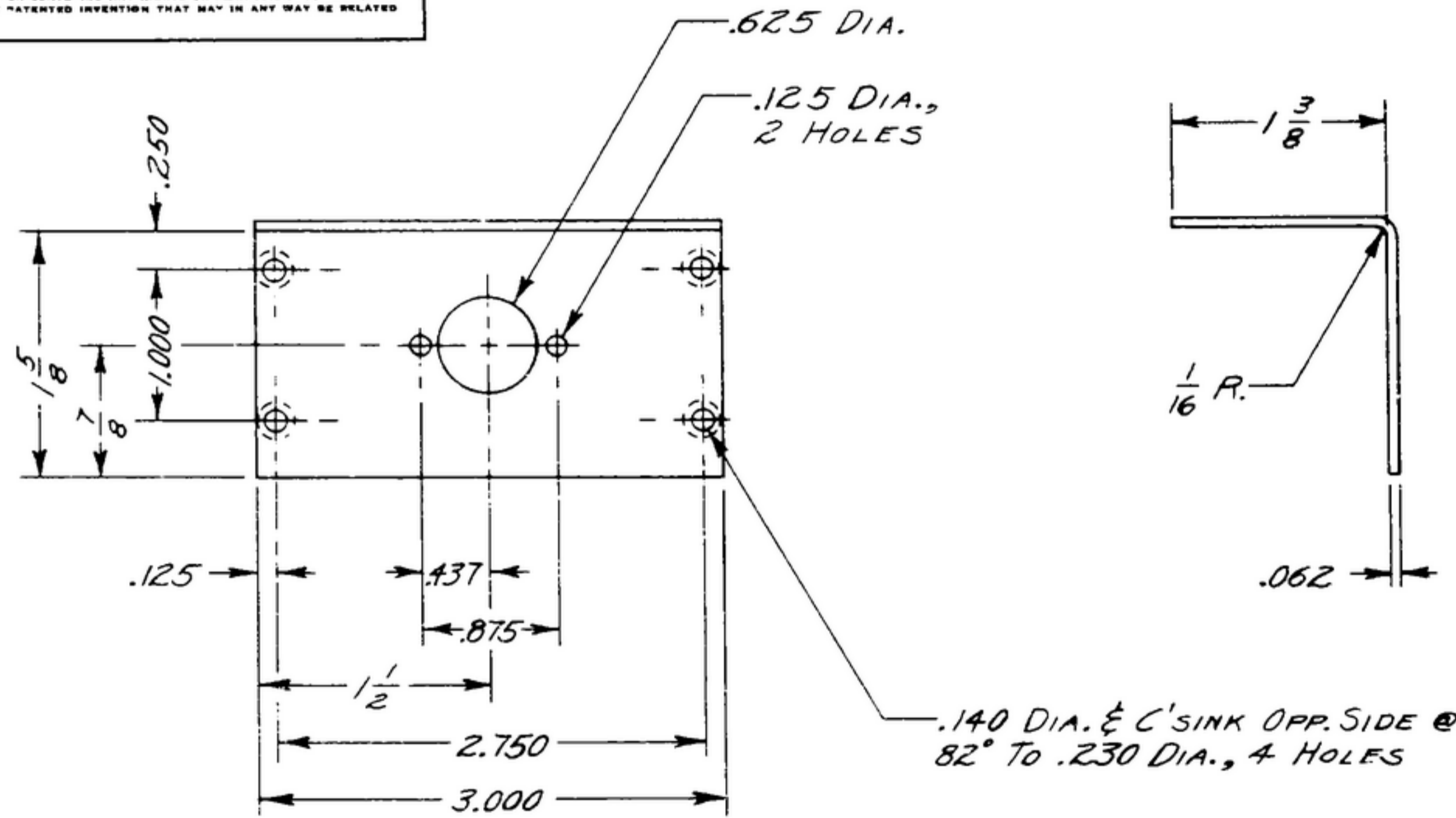
NOTICE: WHEN GOVERNMENT DRAWINGS, SPECIFICATIONS, OR OTHER DATA ARE USED FOR ANY PURPOSE OTHER THAN IN CONNECTION WITH A DEFINITELY RELATED GOVERNMENT PROCUREMENT OPERATION, THE UNITED STATES GOVERNMENT THEREBY INCURS NO RESPONSIBILITY NOR ANY OBLIGATION WHATSOEVER; AND THE FACT THAT THE GOVERNMENT MAY HAVE FORMULATED, FURNISHED, OR IN ANY WAY SUPPLIED THE SAID DRAWINGS, SPECIFICATIONS, OR OTHER DATA IS NOT TO BE REGARDED AS IMPLICATION OR OTHERWISE AS IN ANY MANNER LICENSING THE HOLDER OR ANY OTHER PERSON OR CORPORATION, OR CONVEYING ANY RIGHTS OR PERMISSION TO MANUFACTURE, USE, OR SELL ANY PATENTED INVENTION THAT MAY IN ANY WAY BE RELATED THERETO.

THIS DOCUMENT HAS BEEN PURCHASED BY THE GOVERNMENT AND MAY BE REPRODUCED AND USED IN CONNECTION WITH ANY GOVERNMENT PROCUREMENT OR MAINTENANCE OPERATION.

\* FOR INFORMATION ONLY. CONTRACTOR MAY AT HIS OPTION DEVIATE FROM THESE PROCESS DETAILS.

ORIG ISSUE A REVISIONS 23 AUG 56

SYM	DESCRIPTION	DATE	APPROVAL
-----	-------------	------	----------



245-T3 ALUM PER QQ-A-355

NOTES:

1. FINISH: E513 PER SPEC MIL-F-14072.

SM-D-33207	↑	SM-D-33309	↑
SM-D-33314		SM-D-33308	
SM-D-33313		SM-D-33307	
SM-D-33312		SM-D-33306	
SM-D-33311		SM-D-33305	
SM-D-33310	SC-GL-57655	SM-D-33304	SC-GL-57655
NEXT ASSY	USED ON	NEXT ASSY	USED ON
APPLICATION:		APPLICATION	

UNLESS OTHERWISE SPECIFIED  
DIMENSIONS ARE IN INCHES  
TOLERANCES ON  
FRACTIONS DECIMALS ANGLES  
± 1/64 ± .005

DET. NO.	QTY	PART NO.	DESCRIPTION	DATE	FINISHED SIZE	QTY	NOTE
LIST OF MATERIAL							
			COLLINS RADIO CO CEDAR RAPIDS, IA 08719-PH-55-93	TOP		DEPARTMENT OF THE ARMY SIGNAL CORPS ENGINEERING LABORATORIES PORT MONMOUTH NEW JERSEY  SM-B-31250	
			SIGNAL CORPS				
			REVIEWED XXX				
			APPROVED [Signature]				
			DATE 23 AUG 56	SCALE 1/1			