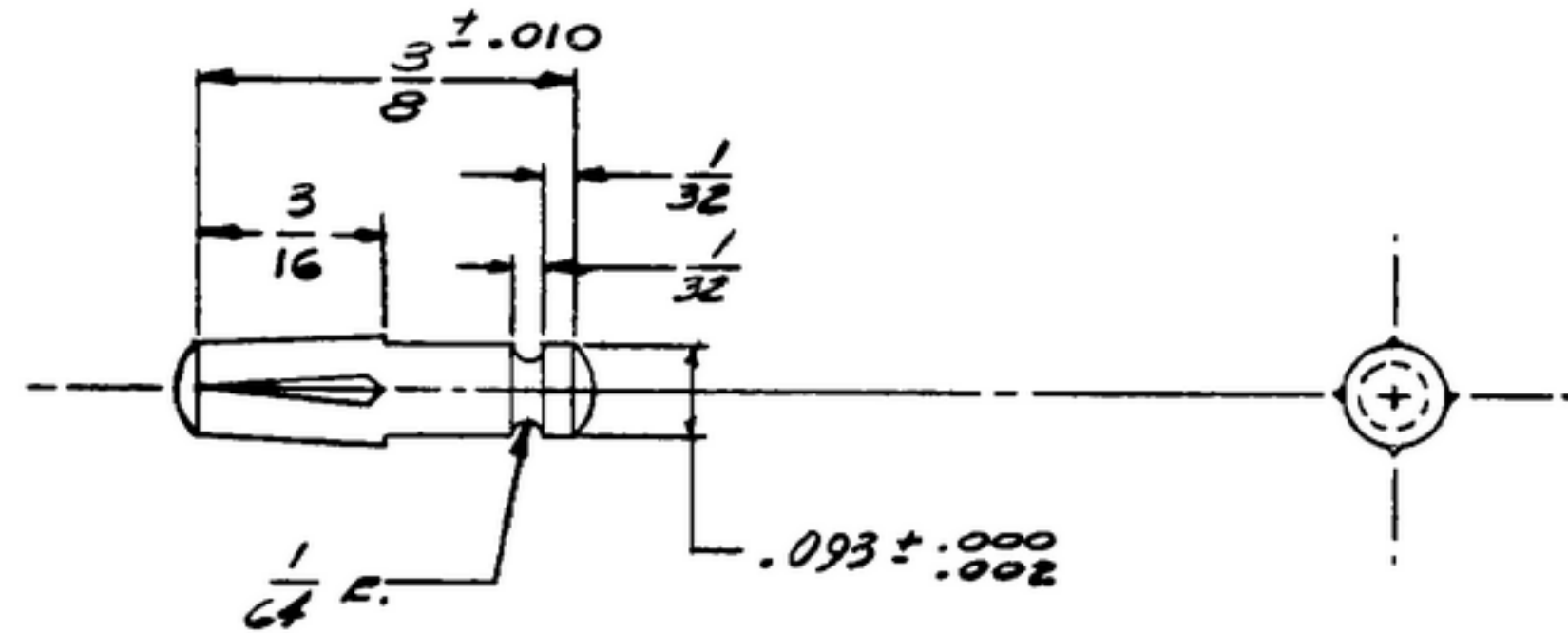


UNLESS DATA IS SHOWN TO BE OTHERWISE AS IN ANY MANNER LICENSING THE HOLDER OR ANY OTHER PERSON OR CORPORATION, OR CONVEYING ANY RIGHTS OR PERMISSION TO MANUFACTURE, USE, OR SELL ANY PATENTED INVENTION THAT MAY IN ANY WAY BE RELATED HERETO.

CONTRACTOR MAY AT HIS OPTION DEVIATE FROM THESE PROCESS DETAILS

SYM DESCRIPTION DATE APPROVAL



NOTES:

- AS SUPPLIED BY:
GROOV-PIN CORP.
RIDGEFIELD, N.J.
TYPE 7, OR EQUAL.
- MATERIAL: CRES STEEL PER SPEC. MIL-S-7720
- FINISH: E 300 PER MIL-F-14072

| REQD | PART NO. | DESCRIPTION | MATL | MATL SPEC | NOTES |
|------------------|----------|-------------|------|-----------|-------|
| LIST OF MATERIAL | | | | | |

| | | | | | | | |
|--|---------|-------------|---------|---|----------------------|---|--|
| UNLESS OTHERWISE SPECIFIED DIMENSIONS ARE IN INCHES TOLERANCES ON FRACTIONS DECIMALS ANGLES ± 1/64 ± — ± — | | | | -STEWART-WARNER- ELECTRONICS- 4242B-PC-59 | | PIN DEPARTMENT OF THE ARMY SIGNAL CORPS ENGINEERING LABORATORIES FORT MONMOUTH NEW JERSEY SM-B-343637 | |
| | | | | SIGNAL CORPS | | | |
| | | | | DRAWN BY <i>R. J. Knoll</i> | | | |
| | | | | REVIEWED <i>PME</i> | | | |
| | | | | APPROVED | | | |
| NEXT ASSY | USED ON | NEXT ASSY | USED ON | CHIEF DRAFTS <i>G. Ballance</i> | <i>PME</i> | | |
| SWE APPLICATION | | APPLICATION | | ENG APPROVAL <i>[Signature]</i> | DATE <i>3 NOV 59</i> | SCALE <i>4/1</i> | |